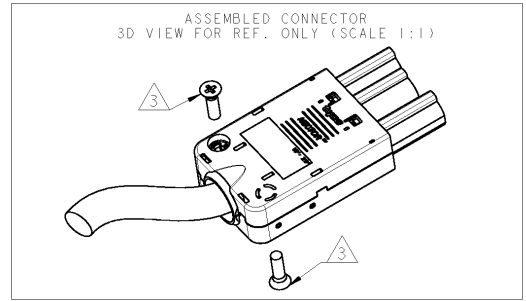
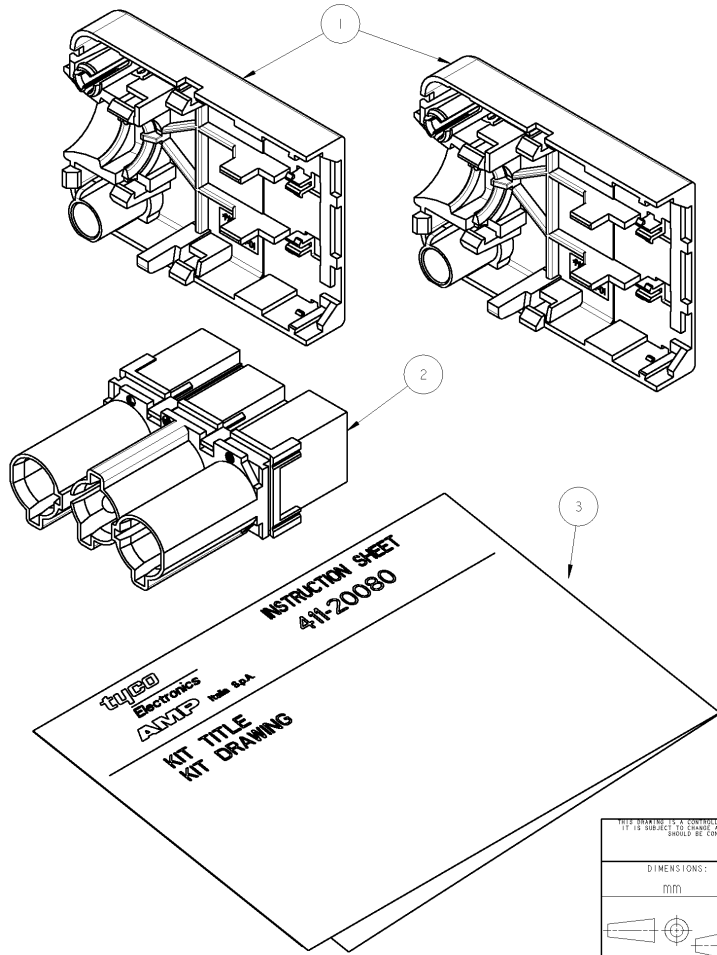


THIS DRAWING IS UNPUBLISHED. RELEASED FOR PUBLICATION 2006
 COPYRIGHT 2006 BY TYCO ELECTRONICS CORPORATION. ALL RIGHTS RESERVED.

LOC	DIST	REVISIONS			
P	LTR	DESCRIPTION	DATE	DWN	APVD
0		FIRST ISSUE	03FEB2006	UA	GT



NOTES:

- 1) PACKAGING ACCORDING TO TYCO SPECIFICATION I07-20255
- 2) INSTRUCTION-SHEET 411-20080 SHOWS ASS'Y OPERATION FOR END USER
- 3) OPTIONAL SCREWS M3 x 12 - NOT INCLUDED INTO THE KIT - (SCREWS ACCORDING TO: "UNI 9709" OR "UNI 9707" OR "UNI 10228" OR "UNI 10227")

QTY	DESCRIPTION	ITEM
1	TYCO INSTRUCTION SHEET	3
1	TYCO NECTOR* 3 POS. RECPT. CONN. SPRING CLAMP TERM. (WHITE VERSION)	2
- 1	TYCO NECTOR* 3 POS. RECPT. CONN. SPRING CLAMP TERM. (BLACK VERSION)	2
2	TYCO NECTOR* HERMAPHRODITE HALF SHELL FOR 3 POS. CONN.S. (WHITE VERSION)	1
- 2	TYCO NECTOR* HERMAPHRODITE HALF SHELL FOR 3 POS. CONN.S. (BLACK VERSION)	1
0	REVISION OF EACH ASS'Y N.	

<small>THIS DRAWING IS A CONTROLLED DOCUMENT FOR TYCO ELECTRONICS CORPORATION. IT IS SUBJECT TO CHANGE AND THE CONTROLLING ENGINEERING ORGANIZATION SHOULD BE CONTACTED FOR THE LATEST REVISION.</small>		OWN 03FEB2006 U. AIME CHK 03FEB2006 U. AIME APVD 03FEB2006 G. TURCO	tyco Electronics AMP Italia S.p.A. C.so F.lli Cervi 15 Collegno (TO)
DIMENSIONS: mm 	TOLERANCES UNLESS OTHERWISE SPECIFIED: 0 PLC ± 1 PLC ± 2 PLC ± 3 PLC ± 4 PLC ± ANGLES ±	NAME TYCO NECTOR* 3 POS. RECPT CONN. SPRING CLAMP TERM. KIT FOR HERMAPHR. SHELL	SIZE CAGE CODE DRAWING NO A3 00779 C-293100
MATERIAL	FINISH	WEIGHT	RESTRICTED TO
CUSTOMER DRAWING		SCALE 2:1	SHEET 1 OF 1 REV 0

AMP 1470-19 REV 31MAR2000

Proj/ENGINEER DRAWING