

4

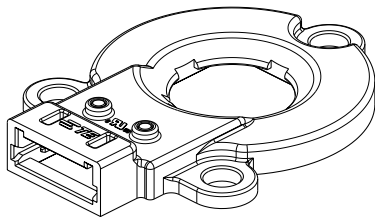
3

2

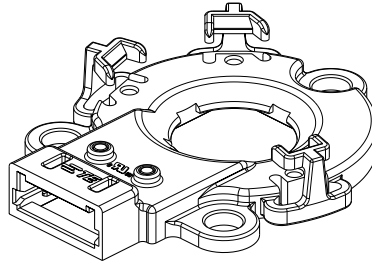
1

THIS DRAWING IS UNPUBLISHED. RELEASED FOR PUBLICATION. ALL RIGHTS RESERVED.

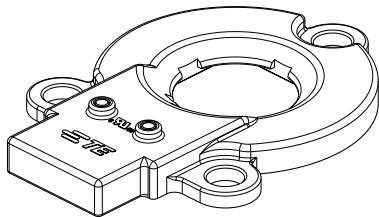
LOC	DISP	REV	DESCRIPTION	DATE	BY	APPV
		5	UPDATE CORPORATE FORMAT	22SEP2011	MM	MM



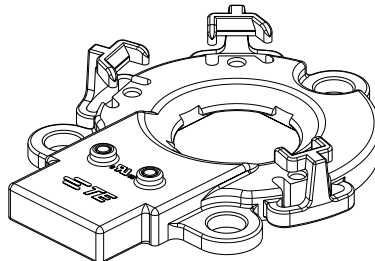
2106947-1



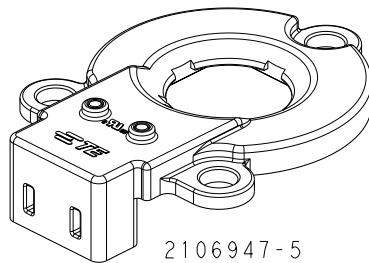
2106947-2



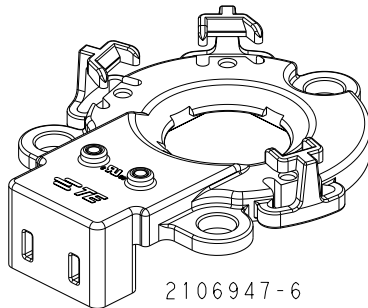
2106947-3



2106947-4



2106947-5



2106947-6

- △ MATERIALS AND FINISH:
 -HOUSING: PBT-GF
 -CONTACTS: COPPER ALLOY
 FINISH: TIN AND SILVER OVER NICKEL

2. PRODUCT TO COMPLY WITH DIRECTIVE 2002/95/EC (ROHS)

3. PRODUCT HAS NOT COMPLETED VALIDATION TESTING

- △ RECOMMENDED SCREW SIZE: #4 OR M3
 SCREW DOWN TORQUE: 0.28 N-M (2.5 IN-LBF) TO
 0.45 N-M (4.0 IN-LBF)

5. SCREWS FROM FERROUS METALS (OTHER THAN STAINLESS STEEL) SHOULD BE ZINC PLATED OR HAVE AN EQUIVALENT PROTECTIVE COATING

- △ RECOMMENDED MATE MATING CONNECTOR
 -HOUSING: 353908-6
 -CONTACT: 353907-1

△ REFER TO CREE® XLAMP® MP-L™ SOLDERING AND HANDLING APPLICATION NOTE AVAILABLE ON THE CREE WEBSITE

△ CENTER OF THE LED PACKAGE NOT OPTICAL CENTER

△ PADS SHOULD BE SMOOTH AND FLAT. PADS TO BE PLATED WITH 2.54 MICRONS [100 μm] MIN HAL TIN

SOCKET ASSEMBLY, LED TO INVERTED WIRE, W/ OPTICS LATCH	2106947-6
SOCKET ASSEMBLY, LED TO INVERTED WIRE, W/O OPTICS LATCH	2106947-5
SOCKET ASSEMBLY, LED TO BOARD W/ OPTICS LATCH	2106947-4
SOCKET ASSEMBLY, LED TO BOARD, W/O OPTICS LATCH	2106947-3
SOCKET ASSEMBLY, LED TO WIRE, W/ OPTICS LATCH	2106947-2
SOCKET ASSEMBLY, LED TO WIRE, W/O OPTICS LATCH	2106947-1
DESCRIPTION	PART NO.

THIS DRAWING IS A CONTROLLED DOCUMENT.		DATE	03JUN2010		PRELIMINARY
DRAWN BY: R. BROWN		DATE	03JUN2010		
CHECKED BY: R. NARANG		DATE	03JUN2010	TE CONNECTIVITY ASSEMBLY, SOLDERLESS LED SOCKET, SERIAL CKT, TYPE CM	
DIMENSIONS: mm		PRODUCT SPEC	108-2439	RESTRICTED TO	
TOLERANCES UNLESS OTHERWISE SPECIFIED:		APPLICATION SPEC	114-13281	SCALE 4:1 SHEET 1 OF 3 REV 5	
0 PLC ±.1 1 PLC ±.1 2 PLC ±.13 3 PLC ±.1 4 PLC ±.1 ANGLES ±.2°		WEIGHT	A200779	DRAWING NO. ©-2106947	
MATERIAL FINISH		CUSTOMER DRAWING			

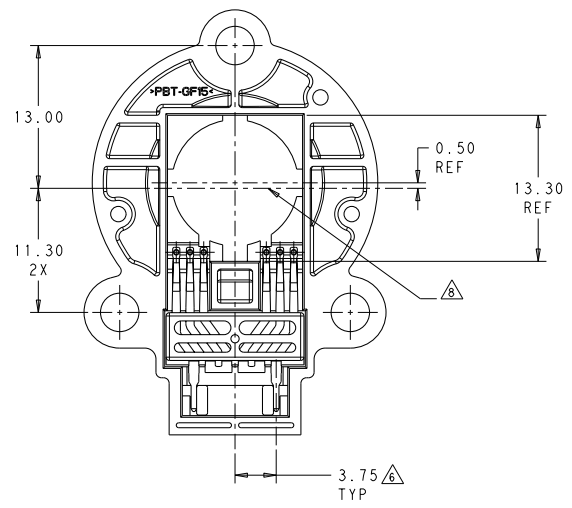
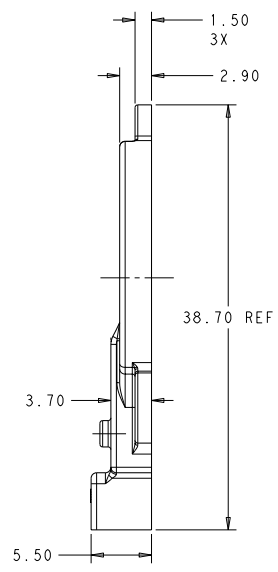
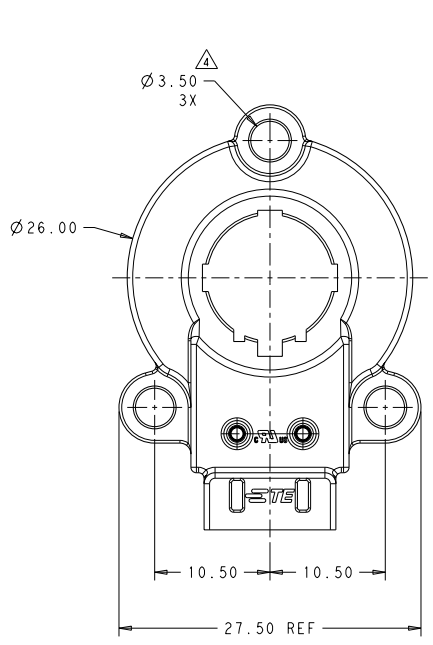
NEW PRODUCT
PRELIMINARY
 IN DEVELOPMENT

1477-B (2/11)

Pro/ENGINEER DRAWING

THIS DRAWING IS UNPUBLISHED. RELEASED FOR PUBLICATION. ALL RIGHTS RESERVED.

LOC		DIST		REVISIONS			
P	LY	DESCRIPTION	DATE	BY	APPR		
-	-	SEE SHEET 1	-	-	-		



**NEW PRODUCT
PRELIMINARY
IN DEVELOPMENT**

2106947-1 SHOWN

THIS DRAWING IS A CONTROLLED DOCUMENT.		OWN R. BROWN	03JUN2010	TE Connectivity
DIMENSIONS: mm		CHK R. NARANG	03JUN2010	
TO DRAWING'S SPECIFICATIONS: 0 PLC ±.1 1 PLC ±.13 2 PLC ±.13 3 PLC ±.13 4 PLC ±.13 ANGLES ±.2°		APPRO	NAME	ASSEMBLY, SOLDERLESS LED SOCKET, SERIAL CKT, TYPE CM
MATERIAL		FINISH	WEIGHT	RESTRICTED TO
			CUSTOMER DRAWING	SCALE 4:1 SHEET 2 OF 9 REV 5

4

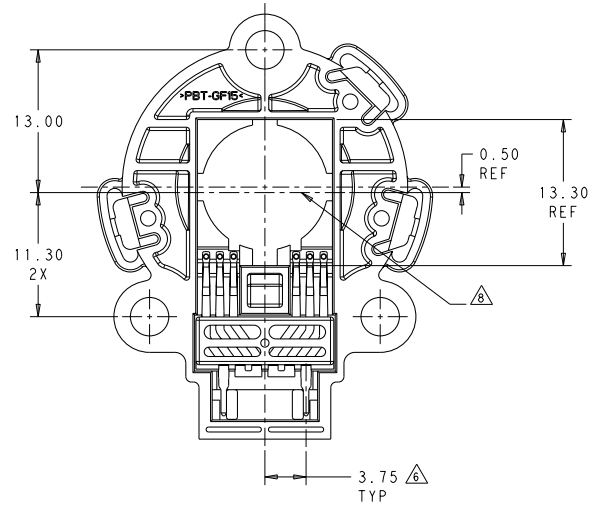
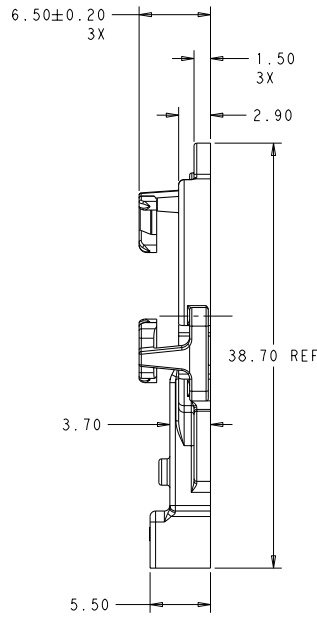
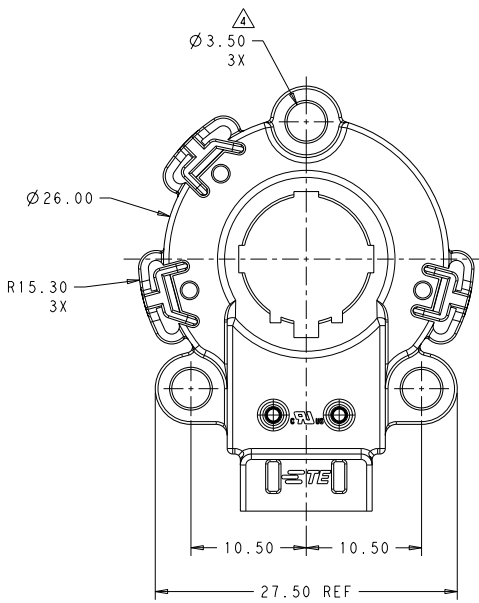
3

2

1

THIS DRAWING IS UNPUBLISHED. RELEASED FOR PUBLICATION
 COPYRIGHT © BY ALL RIGHTS RESERVED.

LOC		DIST		REVISIONS			
P	LY	DESCRIPTION	DATE	BY	APPR		
-	-	SEE SHEET 1	-	-	-		



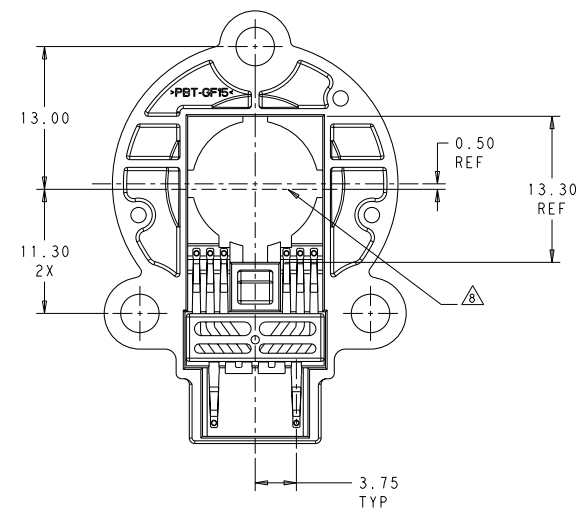
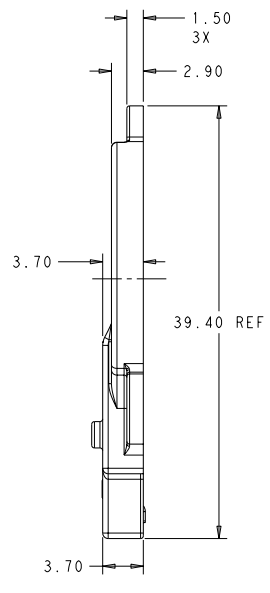
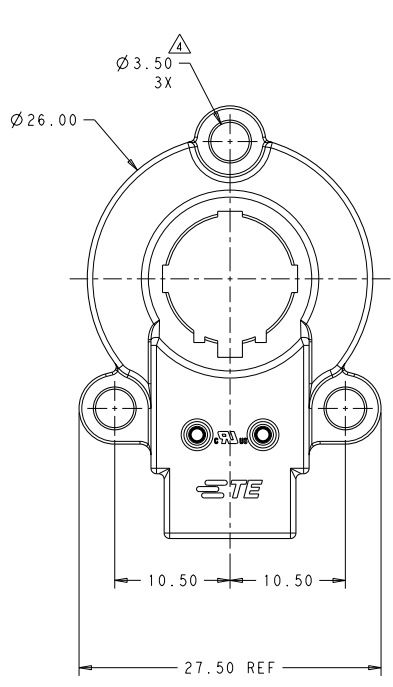
2106947-2 SHOWN

NEW PRODUCT PRELIMINARY IN DEVELOPMENT

THIS DRAWING IS A CONTROLLED DOCUMENT.		OWN R. BROWN	03JUN2010	TE Connectivity
		CHK R. NARANG	03JUN2010	
DIMENSIONS: mm		TOLERANCES UNLESS OTHERWISE SPECIFIED:		 ASSEMBLY, SOLDERLESS LED SOCKET, SERIAL CKT, TYPE CM
		0 PLC	±0.13	
		1 PLC	±0.13	
		2 PLC	±0.13	
MATERIAL		FINISH	WEIGHT	RESTRICTED TO
		CUSTOMER DRAWING		SCALE 4:1 SHEET 3 OF 9 REV 5

THIS DRAWING IS UNPUBLISHED. RELEASED FOR PUBLICATION. ALL RIGHTS RESERVED.

LOC		DIST		REVISIONS			
P	LY	DESCRIPTION	DATE	BY	APPR		
-	-	SEE SHEET 1	-	-	-	-	-

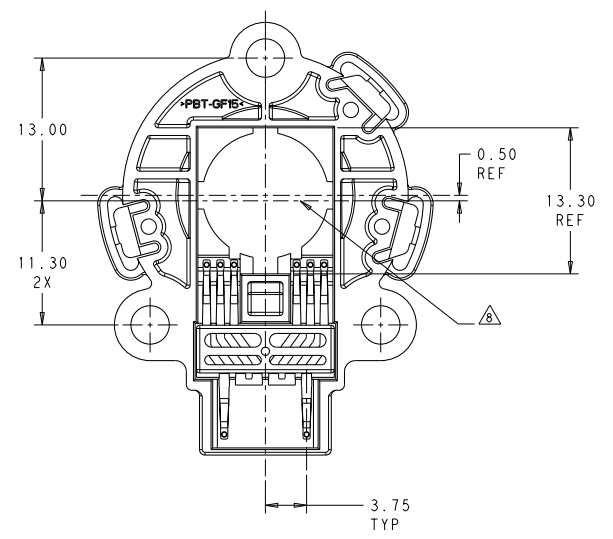
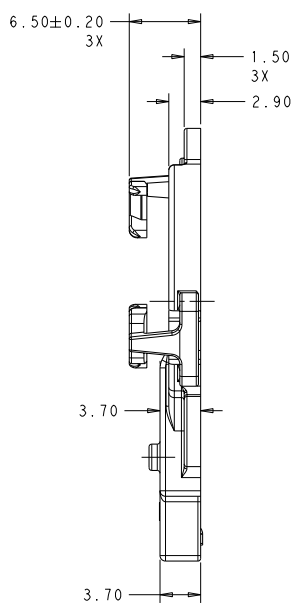
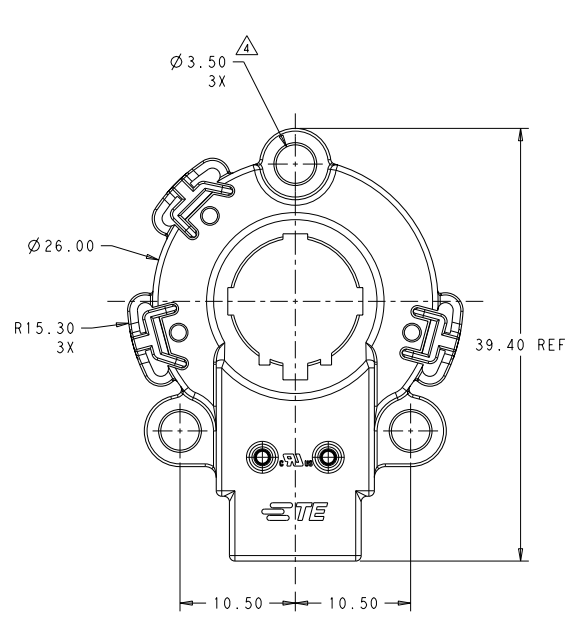


**NEW PRODUCT
PRELIMINARY
IN DEVELOPMENT**

2106947-3 SHOWN

THIS DRAWING IS A CONTROLLED DOCUMENT.		OWN R. BROWN	03JUN2010	TE Connectivity
DIMENSIONS: mm		CHK R. NARANG	03JUN2010	
TO DRAWING SPECIFICATIONS: 0 PLC ±.1 1 PLC ±.13 2 PLC ±.13 3 PLC ±.13 4 PLC ±.13 ANGLES ±.2°		APPRO	NAME	ASSEMBLY, SOLDERLESS LED SOCKET, SERIAL CKT, TYPE CM
MATERIAL		FINISH	WEIGHT	RESTRICTED TO
-		-	-	-
-		CUSTOMER DRAWING	SCALE 4:1	SHEET 4 OF 9 REV 5

REVISIONS				
P	LY	DESCRIPTION	DATE	BY
-	-	SEE SHEET 1	-	-



2106947-4 SHOWN

**NEW PRODUCT
PRELIMINARY
IN DEVELOPMENT**

THIS DRAWING IS A CONTROLLED DOCUMENT.		OWN R. BROWN	03JUN2010	TE Connectivity
DIMENSIONS: mm		CHK R. NARANG	03JUN2010	
TO DRAWING SPECIFICATIONS: 0 PLC ± 1 PLC ±0.13 2 PLC ± 3 PLC ± 4 PLC ± ANGLES ±°		APPD	NAME	ASSEMBLY, SOLDERLESS LED SOCKET, SERIAL CKT, TYPE CM
MATERIAL		FINISH	WEIGHT	RESTRICTED TO
-		-	-	SIZE CASE CODE DRAWING NO
-		-	-	A200779 ©=2106947
-		-	-	SCALE 4:1 SHEET 5 OF 9 REV 5

4

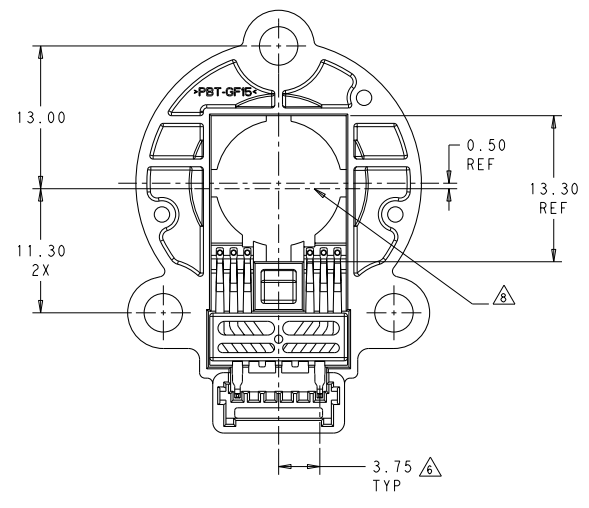
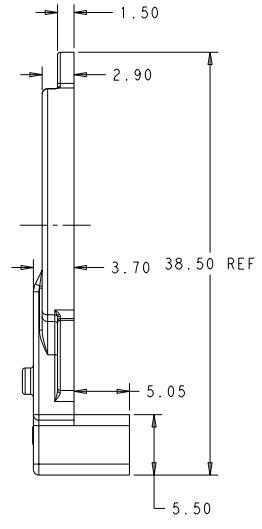
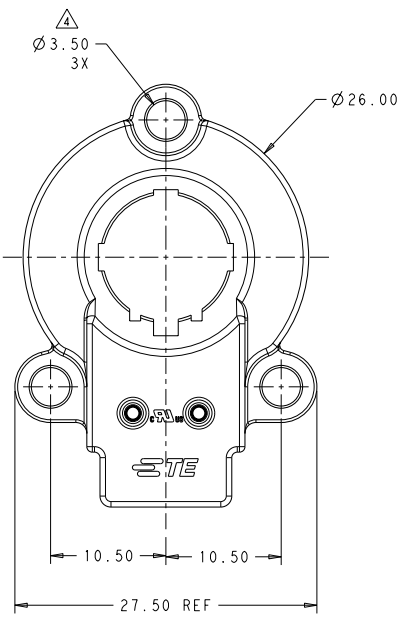
3

2

1

THIS DRAWING IS UNPUBLISHED. RELEASED FOR PUBLICATION. ALL RIGHTS RESERVED.

REV	DATE	BY	APPROV	DESCRIPTION
1	-	-	-	SEE SHEET 1



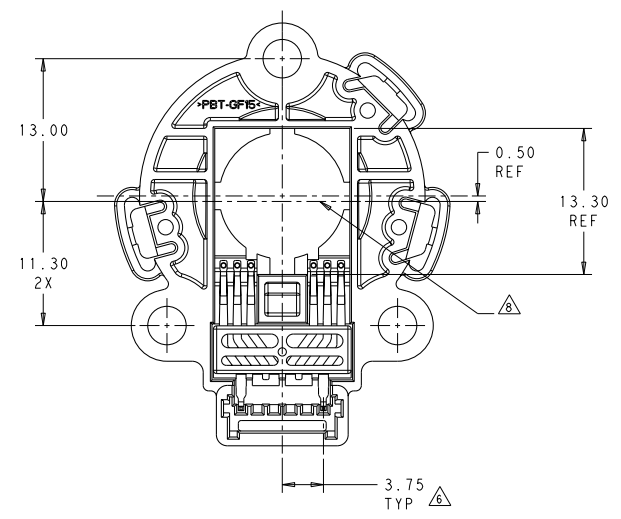
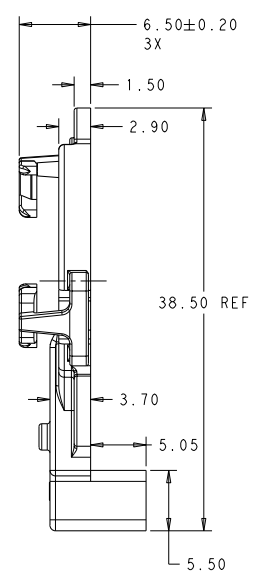
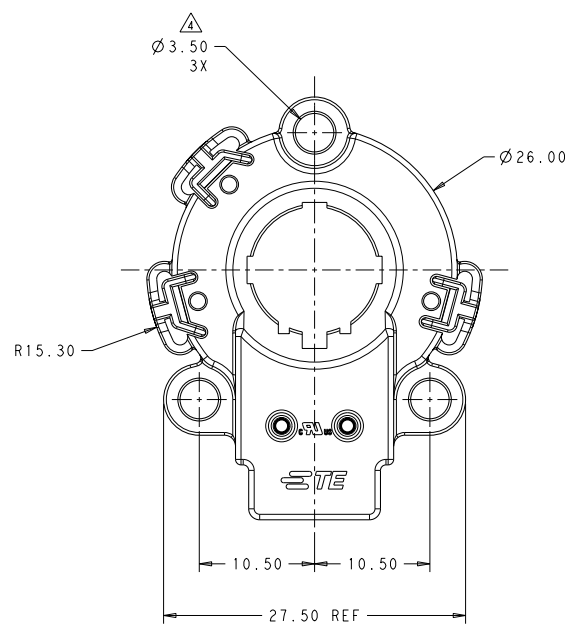
2106947-5 SHOWN

NEW PRODUCT PRELIMINARY IN DEVELOPMENT

THIS DRAWING IS A CONTROLLED DOCUMENT.		OWN R. BROWN	03JUN2010	TE Connectivity
DIMENSIONS: mm		CHK R. NARANG	03JUN2010	
TO DRAWING SPECIFICATIONS:		APPROV	NAME	ASSEMBLY, SOLDERLESS LED SOCKET, SERIAL CKT, TYPE CM
0 PLC #:		PRODUCT SPEC	108-2439	
1 PLC #:		APPLICATION SPEC	114-13281	
2 PLC #:		WEIGHT	-	
3 PLC #:		MATERIAL	-	SITE CASE CODE DRAWING NO A200779 ©-2106947
4 PLC #:		FINISH	-	RESTRICTED TO
5 PLC #:				
6 PLC #:				
7 PLC #:				
8 PLC #:				
9 PLC #:				
ANGLES #:				
CUSTOMER DRAWING				SCALE 4:1 SHEET 6 OF 9 REV 5

THIS DRAWING IS UNPUBLISHED. RELEASED FOR PUBLICATION
 BY - ALL RIGHTS RESERVED.

LOC	DISP	REVISIONS	DATE	BY	APPR
		DESCRIPTION			
		SEE SHEET 1			

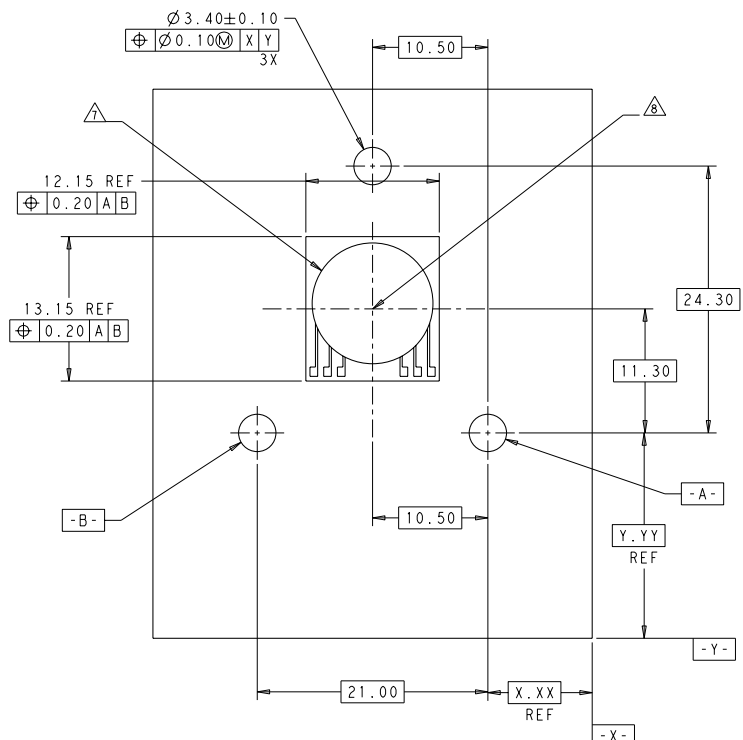


2106947-6 SHOWN

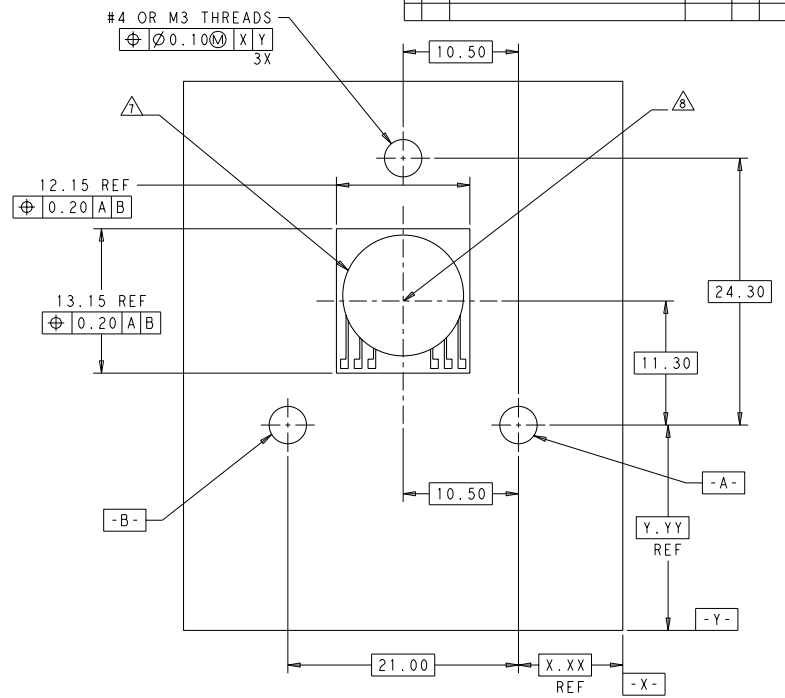
**NEW PRODUCT
 PRELIMINARY
 IN DEVELOPMENT**

THIS DRAWING IS A CONTROLLED DOCUMENT.		OWN R. BROWN	03JUN2010	TE Connectivity
DIMENSIONS: mm		CHK R. NARANG	03JUN2010	
TO MANUFACTURE: 0 TO ASSEMBLY: 1 TO TEST: 3 TO FINISH: 4 TO ANGLE: 5 TO FINISH: 6		APPR	NAME	ASSEMBLY, SOLDERLESS LED SOCKET, SERIAL CKT, TYPE CM
MATERIAL		PRODUCT SPEC	108-2439	SHEET CASE CODE DRAWING NO
		APPLICATION SPEC	114-13281	A200779 ©-2106947
		WEIGHT		RESTRICTED TO
		CUSTOMER DRAWING		SCALE 4:1 SHEET 7 OF 9 REV 5

REVISIONS				
P	LYR	DESCRIPTION	DATE	BY
-	-	SEE SHEET 1	-	-



LAYOUT FOR MOUNTING
2106947-1 AND 2106947-2
ON A PC BOARD

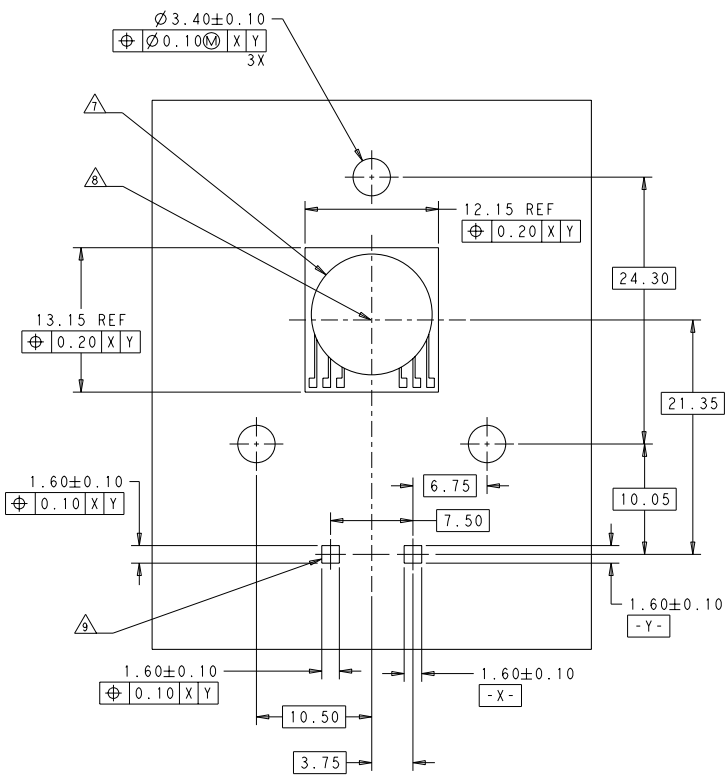


LAYOUT FOR MOUNTING
2106947-1 AND 2106947-2
ON A HEAT SINK

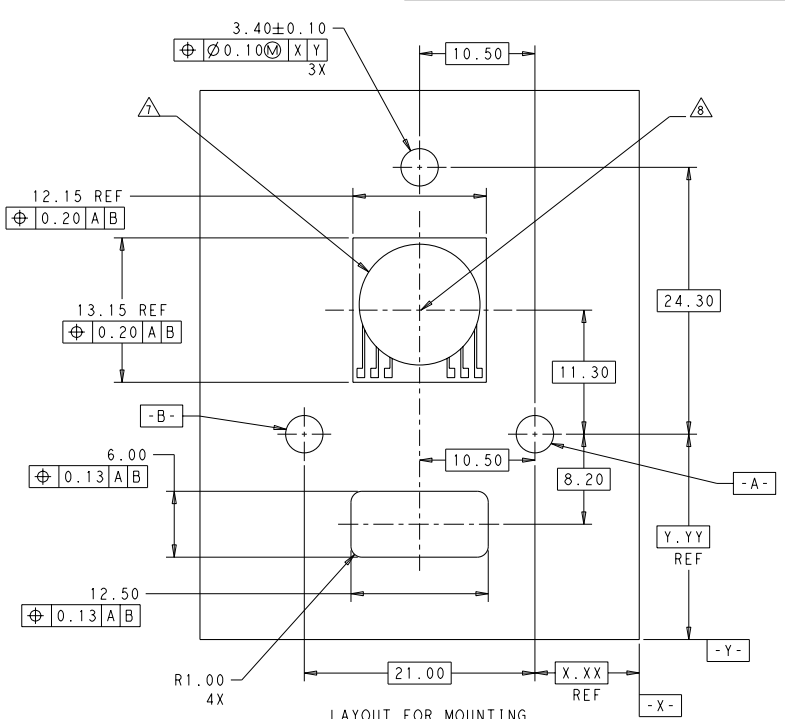
**NEW PRODUCT
PRELIMINARY
IN DEVELOPMENT**

THIS DRAWING IS A CONTROLLED DOCUMENT.		OWN R. BROWN	03JUN2010	
DIMENSIONS: mm		CHK R. NARANG	03JUN2010	
TOLERANCES UNLESS OTHERWISE SPECIFIED:		APPROV		NAME
0 PLC	±	PRODUCT SPEC		ASSEMBLY, SOLDERLESS LED SOCKET, SERIAL CKT, TYPE CM
1 PLC	±	108-2439		
2 PLC	±0.13	APPLICATION SPEC		
3 PLC	±	114-13281		
4 PLC	±	WEIGHT		SHEET CASE CODE DRAWING NO
ANGLES	±	CUSTOMER DRAWING		A200779 ©-2106947
FINISH		SCALE 4:1		RESTRICTED TO
		SHEET 8 OF 9		REV 5

REVISONS		DATE	BY	APPROV
P	LYN	DESCRIPTION		
-	-	SEE SHEET 1	-	-



LAYOUT FOR MOUNTING
2106947-3 AND 2106947-4
ON A PC BOARD



LAYOUT FOR MOUNTING
2106947-5 AND 2106947-6

**NEW PRODUCT
PRELIMINARY
IN DEVELOPMENT**

THIS DRAWING IS A CONTROLLED DOCUMENT.		OWN R. BROWN	03JUN2010	
DRAWN R. NARANG		03JUN2010	NAME	
DIMENSIONS: mm		PRODUCT SPEC	108-2439	ASSEMBLY, SOLDERLESS LED SOCKET, SERIAL CKT, TYPE CM
TO FINISHES AND TOLERANCES SPECIFIED:		APPLICATION SPEC	114-13281	
MATERIAL		WEIGHT	A200779	RESTRICTED TO
		CUSTOMER DRAWING	SCALE 4:1	SHEET 9 OF 9 REV 5