

4

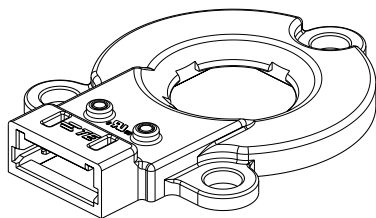
3

2

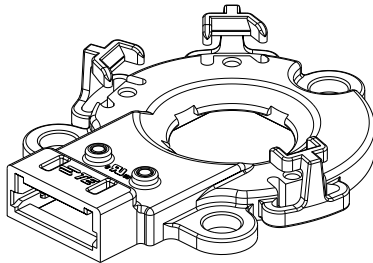
1

THIS DRAWING IS UNPUBLISHED. RELEASED FOR PUBLICATION  
 COPYRIGHT © BY - ALL RIGHTS RESERVED.

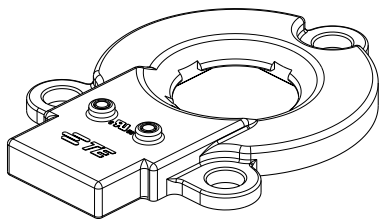
REV	DATE	BY	APPV
5	22SEP2011	MM	MM



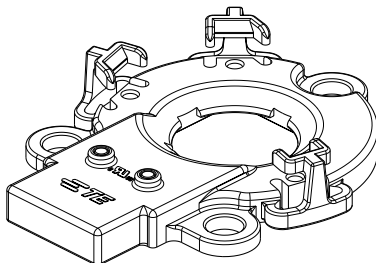
2106947-1



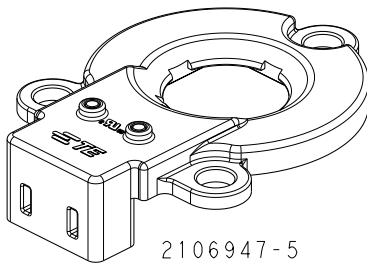
2106947-2



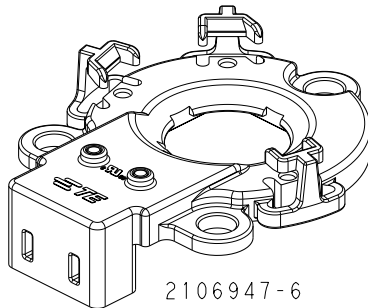
2106947-3



2106947-4



2106947-5



2106947-6

- △ MATERIALS AND FINISH:  
 -HOUSING: PBT-GF  
 -CONTACTS: COPPER ALLOY  
 FINISH: TIN AND SILVER OVER NICKEL
- 2. PRODUCT TO COMPLY WITH DIRECTIVE 2002/95/EC (ROHS)
- 3. PRODUCT HAS NOT COMPLETED VALIDATION TESTING
- △ RECOMMENDED SCREW SIZE: #4 OR M3  
 SCREW DOWN TORQUE: 0.28 N-M (2.5 IN-LBF) TO  
 0.45 N-M (4.0 IN-LBF)
- 5. SCREWS FROM FERROUS METALS (OTHER THAN STAINLESS STEEL) SHOULD BE ZINC PLATED OR HAVE AN EQUIVALENT PROTECTIVE COATING
- △ RECOMMENDED TE MATING CONNECTOR  
 -HOUSING: 353908-6  
 -CONTACT: 353907-1
- △ REFER TO CREE® XLAMP® MP-L™ SOLDERING AND HANDLING APPLICATION NOTE AVAILABLE ON THE CREE WEBSITE
- △ CENTER OF THE LED PACKAGE NOT OPTICAL CENTER
- △ PADS SHOULD BE SMOOTH AND FLAT. PADS TO BE PLATED WITH 2.54 MICRONS [100 μm] MIN HAL TIN

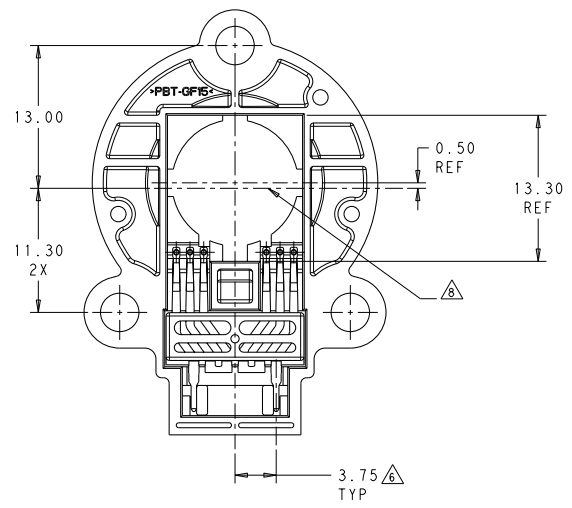
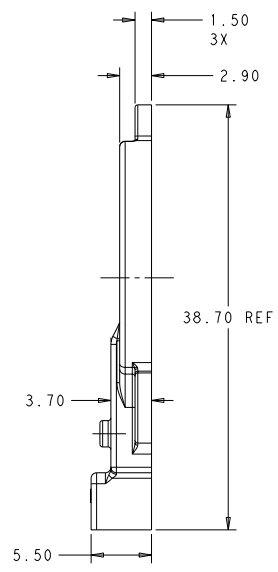
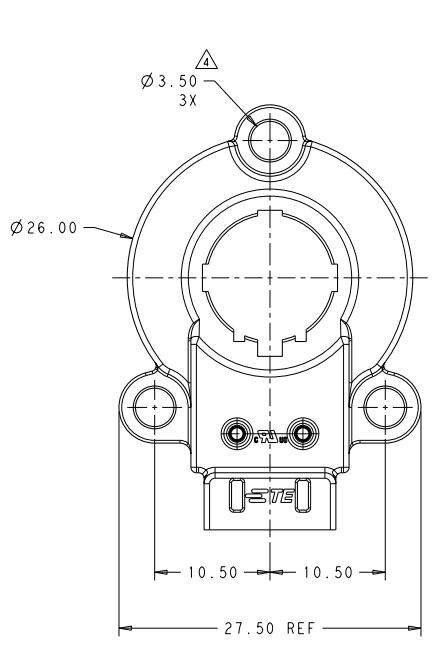
SOCKET ASSEMBLY, LED TO INVERTED WIRE, W/ OPTICS LATCH	2106947-6
SOCKET ASSEMBLY, LED TO INVERTED WIRE, W/O OPTICS LATCH	2106947-5
SOCKET ASSEMBLY, LED TO BOARD W/ OPTICS LATCH	2106947-4
SOCKET ASSEMBLY, LED TO BOARD, W/O OPTICS LATCH	2106947-3
SOCKET ASSEMBLY, LED TO WIRE, W/ OPTICS LATCH	2106947-2
SOCKET ASSEMBLY, LED TO WIRE, W/O OPTICS LATCH	2106947-1
DESCRIPTION	PART NO.

**NEW PRODUCT  
 PRELIMINARY  
 IN DEVELOPMENT**

THIS DRAWING IS A CONTROLLED DOCUMENT.		DATE: 03JUN2010		<b>PRELIMINARY</b>
DRAWN BY: R. BROWN		DATE: 03JUN2010		
CHECKED BY: R. NARANG		DATE: 03JUN2010	<b>ASSEMBLY, SOLDERLESS LED SOCKET, SERIAL CKT, TYPE CM</b>	
DIMENSIONS: mm		PRODUCT SPEC: 108-2439	RESTRICTED TO	
0 PLC ±.1 1 PLC ±.1 2 PLC ±0.13 3 PLC ±.1 4 PLC ±.1 ANGLES ±.2°		APPLICATION SPEC: 114-13281	SCALE: 4:1 SHEET 1 OF 3 REV 5	
MATERIAL: -		WEIGHT: -	CUSTOMER DRAWING	

THIS DRAWING IS UNPUBLISHED. RELEASED FOR PUBLICATION. ALL RIGHTS RESERVED.

LOC		DIST		REVISIONS			
P	LY	DESCRIPTION	DATE	BY	APPR		
-	-	SEE SHEET 1	-	-	-		

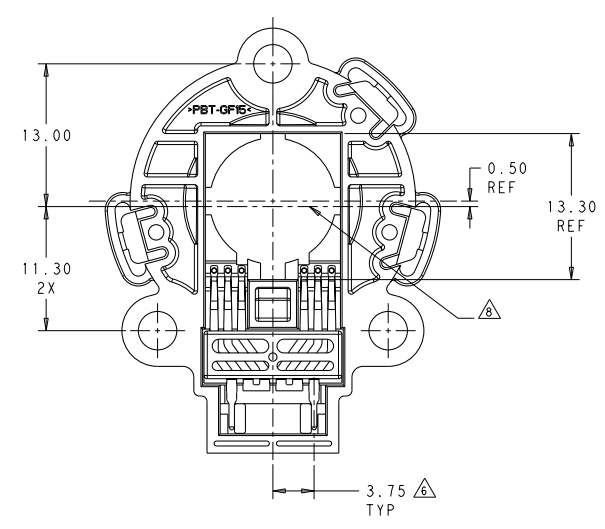
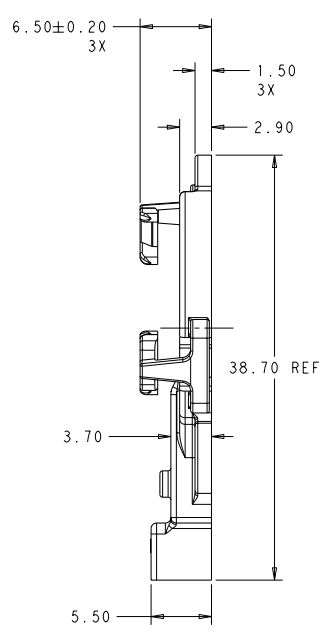
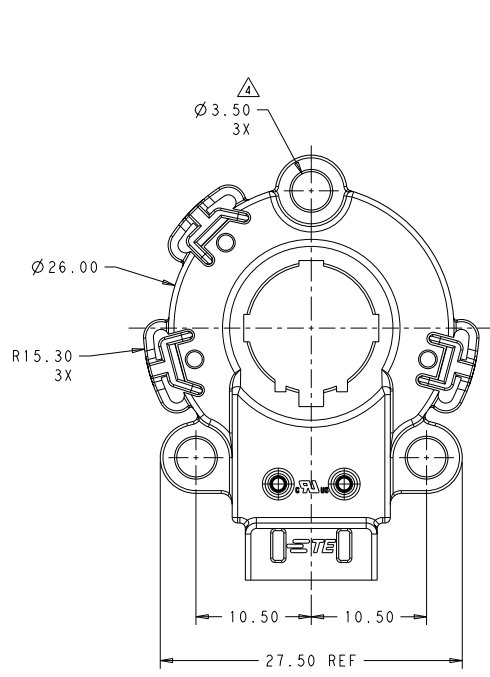


**NEW PRODUCT  
PRELIMINARY  
IN DEVELOPMENT**

2106947-1 SHOWN

THIS DRAWING IS A CONTROLLED DOCUMENT.		OWN R. BROWN	03JUN2010		ASSEMBLY, SOLDERLESS LED SOCKET, SERIAL CKT, TYPE CM
DIMENSIONS: mm		CHK R. NARANG	03JUN2010		
TO DRAWING'S DIMENSIONS: 0 PLC ±.1 1 PLC ±.1 2 PLC ±0.13 3 PLC ±.1 4 PLC ±.1 ANGLES ±.2°		APPRO	NAME	PRODUCT SPEC 108-2439 APPLICATION SPEC 114-13281	SIZE CASE CODE DRAWING NO A200779 ©-2106947
MATERIAL		FINISH	WEIGHT	CUSTOMER DRAWING	RESTRICTED TO
				SCALE 4:1	SHEET 2 OF 9 REV 5

REV	DATE	BY	APPROV
1			
REVISIONS			
P	LY	DESCRIPTION	
-	-	SEE SHEET 1	



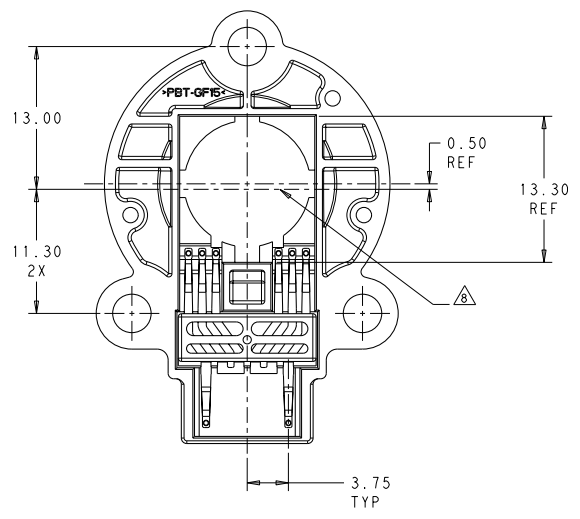
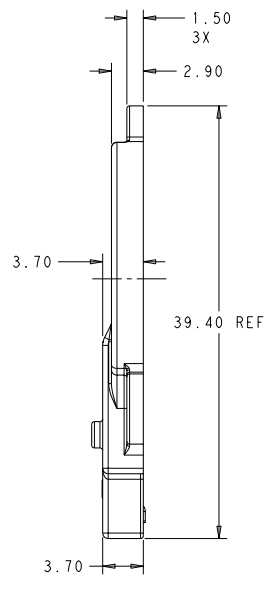
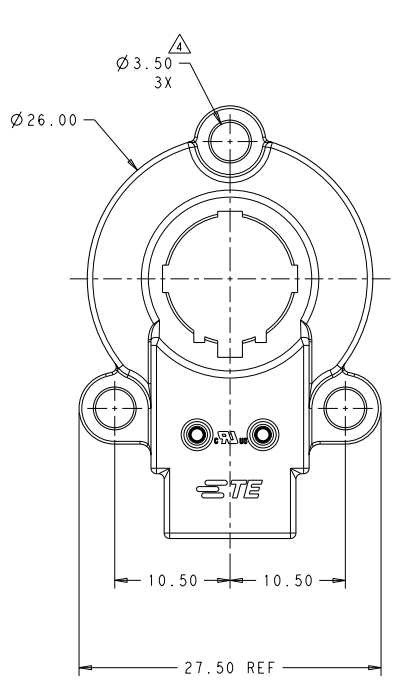
2106947-2 SHOWN

**NEW PRODUCT  
 PRELIMINARY  
 IN DEVELOPMENT**

THIS DRAWING IS A CONTROLLED DOCUMENT.		OWN R. BROWN	03JUN2010	TE Connectivity
DIMENSIONS: mm		CHK R. NARANG	03JUN2010	
0 PLC #: 1 PLC #: 2 PLC #: 3 PLC #: 4 PLC #: ANGLES #: FINISH #:		PRODUCT SPEC 108-2439 APPLICATION SPEC 114-13281		NAME ASSEMBLY, SOLDERLESS LED SOCKET, SERIAL CKT, TYPE CM
MATERIAL		APPRO	WEIGHT	
		CUSTOMER DRAWING		RESTRICTED TO SCALE 4:1 SHEET 3 OF 9 REV 5

THIS DRAWING IS UNPUBLISHED. RELEASED FOR PUBLICATION. ALL RIGHTS RESERVED.

LOC	DISP	REV	DATE	BY	APPROV
-	-	1	-	-	-
P		LYN			
-		SEE SHEET 1			

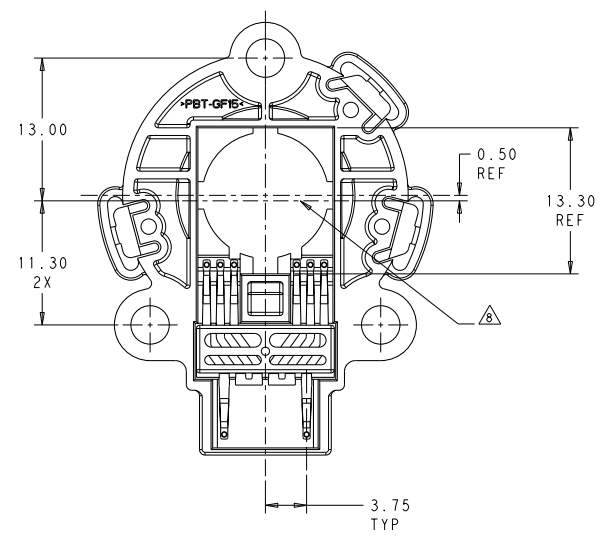
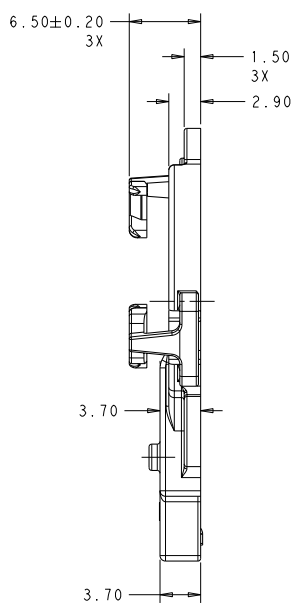
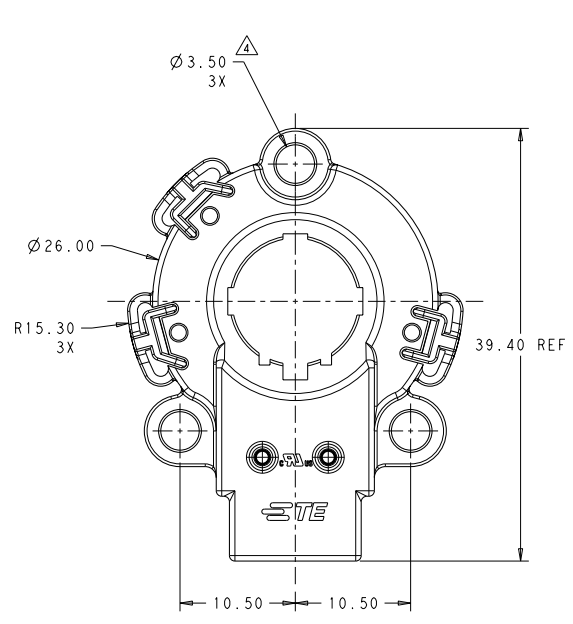


**NEW PRODUCT  
PRELIMINARY  
IN DEVELOPMENT**

2106947-3 SHOWN

THIS DRAWING IS A CONTROLLED DOCUMENT.		OWN R. BROWN	03JUN2010	TE Connectivity
DIMENSIONS: mm		CHK R. NARANG	03JUN2010	
TOLERANCES UNLESS OTHERWISE SPECIFIED:		APPROV	NAME	ASSEMBLY, SOLDERLESS LED SOCKET, SERIAL CKT, TYPE CM
0 PLC	±0.13	PRODUCT SPEC	108-2439	
1 PLC	±0.13	APPLICATION SPEC	114-13281	
2 PLC	±0.13	WEIGHT	A200779	RESTRICTED TO
3 PLC	±0.13	MATERIAL	CUSTOMER DRAWING	SCALE 4:1 SHEET 4 OF 9 REV 5
4 PLC	±0.13	FINISH		
ANGLES	±0.5°			

REVISIONS				
P	LY	DESCRIPTION	DATE	BY
-	-	SEE SHEET 1	-	-



2106947-4 SHOWN

**NEW PRODUCT  
PRELIMINARY  
IN DEVELOPMENT**

THIS DRAWING IS A CONTROLLED DOCUMENT.		OWN R. BROWN	03JUN2010	TE Connectivity
DIMENSIONS: mm		CHK R. NARANG	03JUN2010	
TO DRAWING SPECIFICATIONS		APP'D	NAME	ASSEMBLY, SOLDERLESS LED SOCKET, SERIAL CKT, TYPE CM
0 PLC ±0.13		PRODUCT SPEC	108-2439	
1 PLC ±0.13		APPLICATION SPEC	114-13281	RESTRICTED TO
2 PLC ±0.13		WEIGHT	A200779	2106947
3 PLC ±0.13		CUSTOMER DRAWING	SCALE 4:1	SHEET 5 OF 9
4 PLC ±0.13				REV 5

4

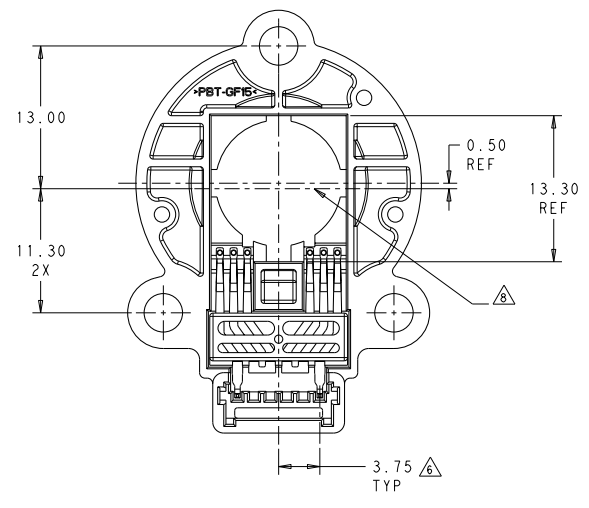
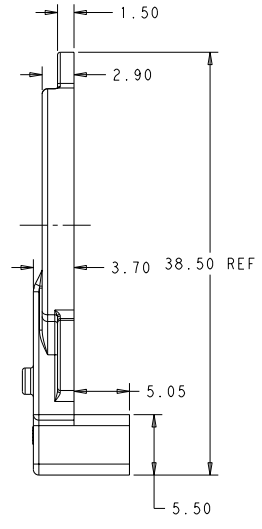
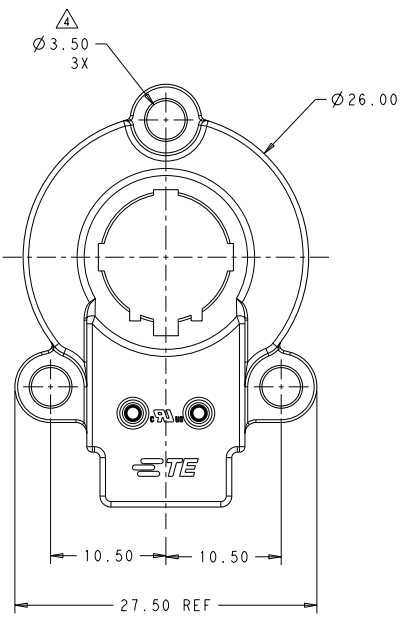
3

2

1

THIS DRAWING IS UNPUBLISHED. RELEASED FOR PUBLICATION. ALL RIGHTS RESERVED.

LOC	DISP	REV	DESCRIPTION	DATE	BY	APPR
-	-	1	SEE SHEET 1	-	-	-



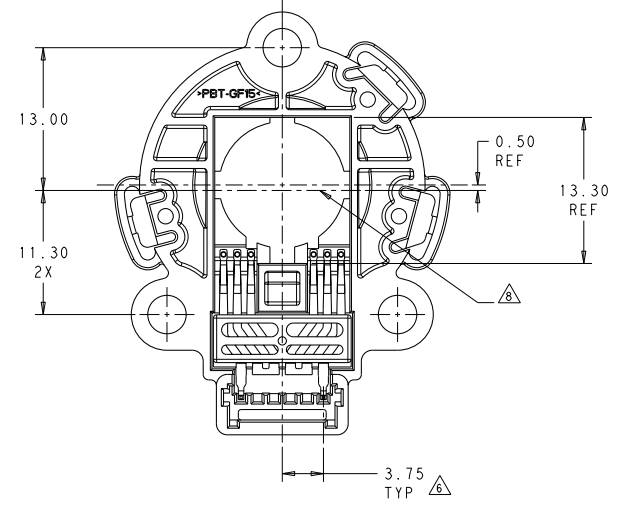
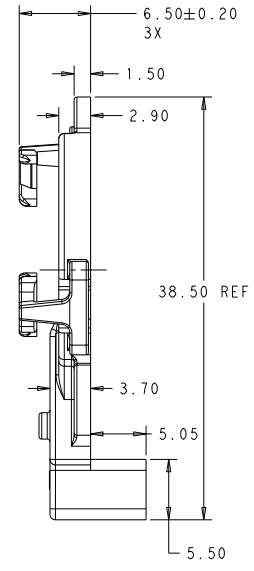
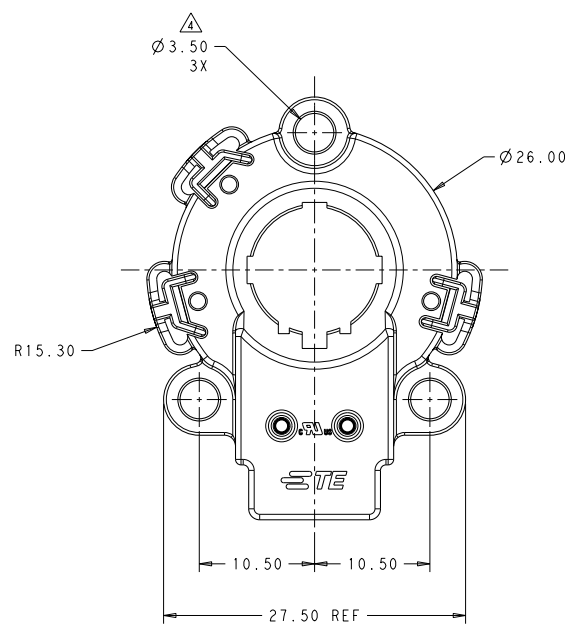
2106947-5 SHOWN

NEW PRODUCT PRELIMINARY IN DEVELOPMENT

THIS DRAWING IS A CONTROLLED DOCUMENT.		OWN R. BROWN	03JUN2010	TE Connectivity
DIMENSIONS: mm		CHK R. NARANG	03JUN2010	
TO DRAWING SPECIFICATIONS		APPR	NAME	ASSEMBLY, SOLDERLESS LED SOCKET, SERIAL CKT, TYPE CM
0 PLC #:		PRODUCT SPEC	108-2439	
1 PLC #:		APPLICATION SPEC	114-13281	
2 PLC #:		WEIGHT	-	
3 PLC #:		MATERIAL	-	SITE CASE CODE DRAWING NO A200779 ©-2106947
4 PLC #:		FINISH	-	RESTRICTED TO
5 PLC #:				
6 PLC #:				
7 PLC #:				
8 PLC #:				
9 PLC #:				
ANGLES #:				
CUSTOMER DRAWING				SCALE 4:1 SHEET 6 OF 9 REV 5

THIS DRAWING IS UNPUBLISHED. RELEASED FOR PUBLICATION  
 BY - ALL RIGHTS RESERVED.

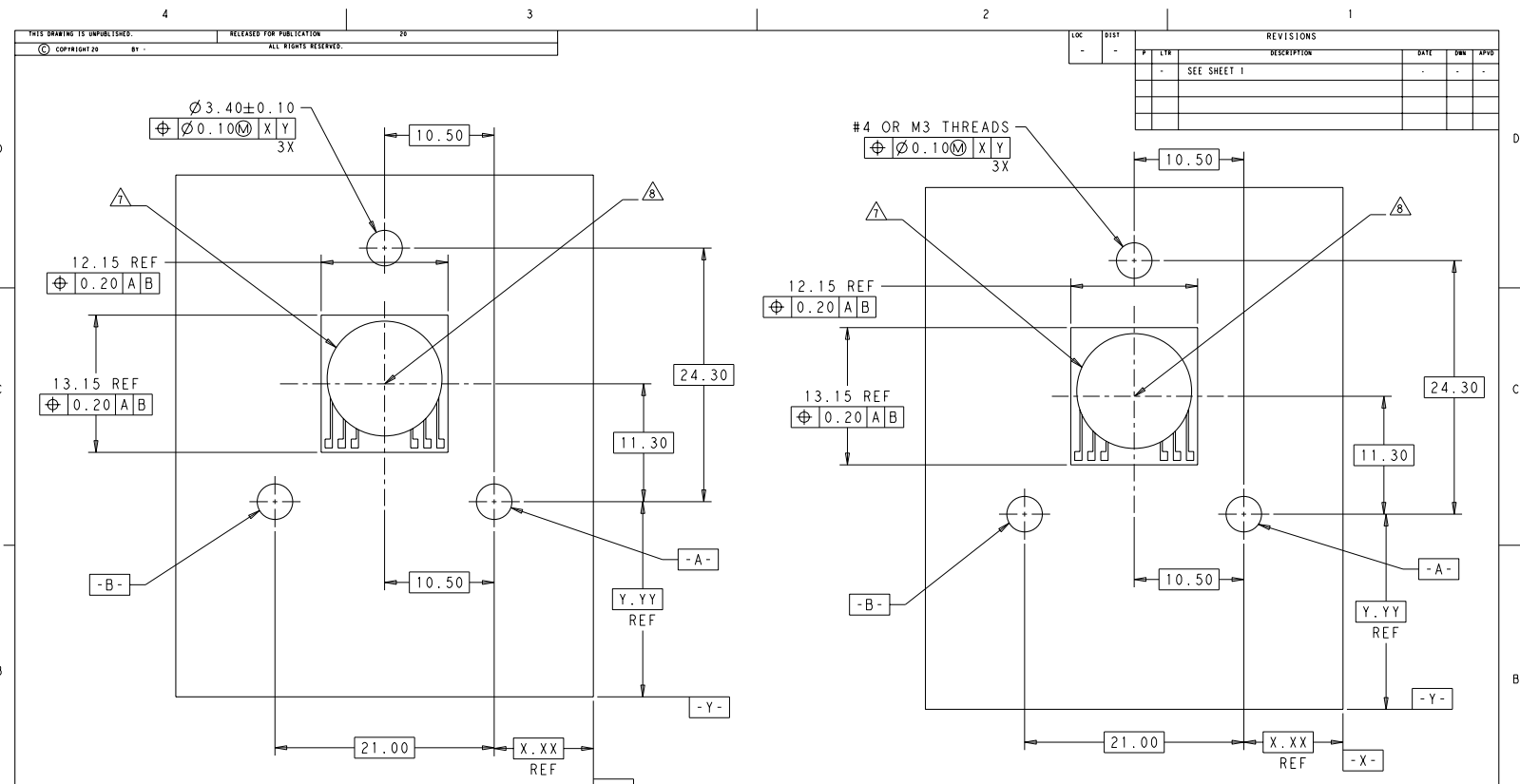
LOC	DISP	REVISIONS	DATE	BY	APPR
		DESCRIPTION			
		SEE SHEET 1			



2106947-6 SHOWN

**NEW PRODUCT  
 PRELIMINARY  
 IN DEVELOPMENT**

THIS DRAWING IS A CONTROLLED DOCUMENT.		OWN R. BROWN	03JUN2010	TE Connectivity
DIMENSIONS: mm		CHK R. NARANG	03JUN2010	
TO DRAWING'S SPECIFICATIONS: 0 PLC ± 1 PLC ± 2 PLC ±0.13 3 PLC ± 4 PLC ± ANGLES ±°		APPR	NAME	ASSEMBLY, SOLDERLESS LED SOCKET, SERIAL CKT, TYPE CM
MATERIAL		FINISH	WEIGHT	RESTRICTED TO
			CUSTOMER DRAWING	SHEET CASE CODE DRAWING NO A200779 ©-2106947
				SCALE 4:1 SHEET 7 OF 9 REV 5



LAYOUT FOR MOUNTING  
2106947-1 AND 2106947-2  
ON A PC BOARD

LAYOUT FOR MOUNTING  
2106947-1 AND 2106947-2  
ON A HEAT SINK

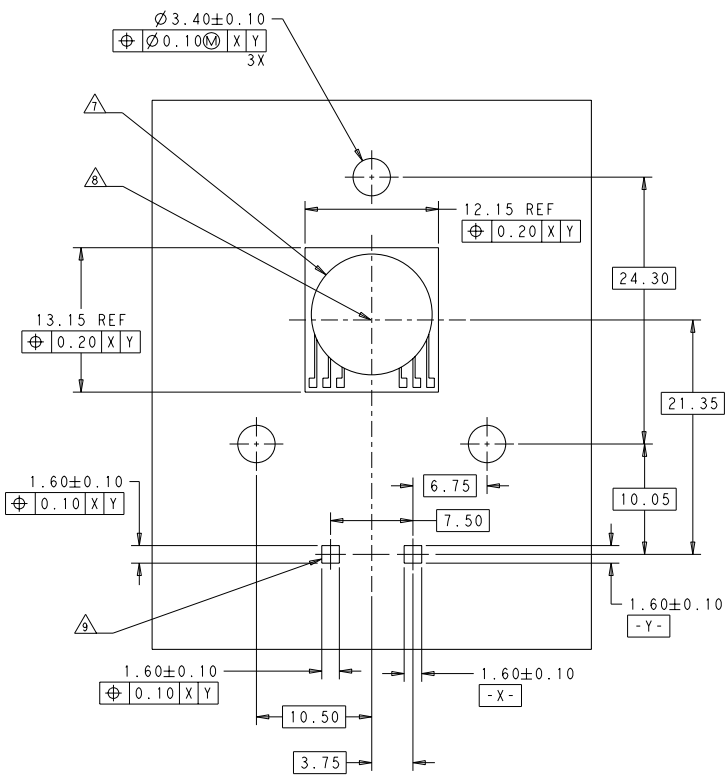
REVISONS		DATE	BY	APPR
P	LYA			
- SEE SHEET 1		-	-	-

**NEW PRODUCT  
PRELIMINARY  
IN DEVELOPMENT**

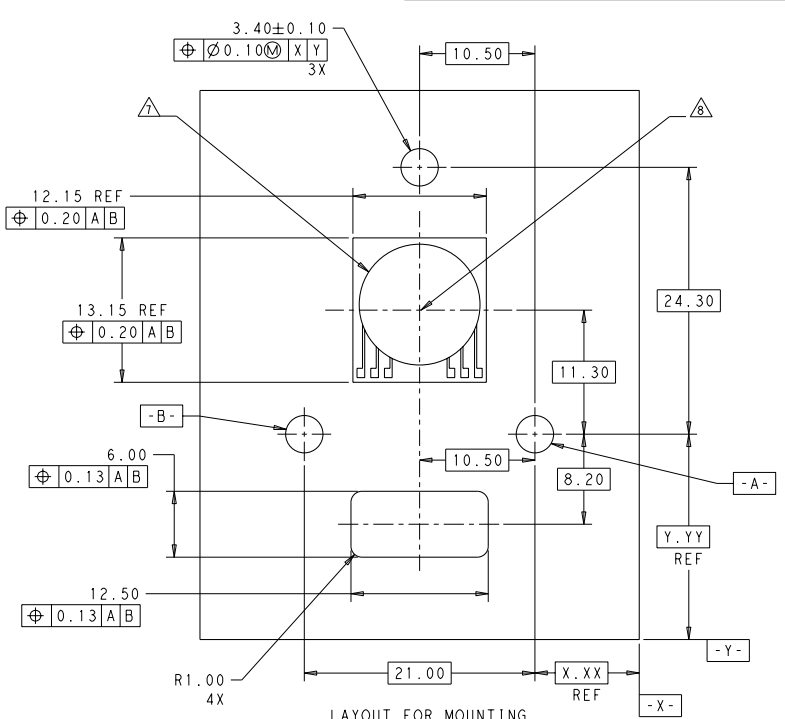
THIS DRAWING IS A CONTROLLED DOCUMENT.		OWN R. BROWN	03JUN2010	
DIMENSIONS: mm		CHK R. NARANG	03JUN2010	
TOLERANCES UNLESS OTHERWISE SPECIFIED:		APPROV		NAME
0 PLC	±0.13	PRODUCT SPEC		ASSEMBLY, SOLDERLESS LED SOCKET, SERIAL CKT, TYPE CM
1 PLC	±0.13	APPLICATION SPEC		
2 PLC	±0.13	114-13281		SHEET CASE CODE DRAWING NO
3 PLC	±0.13	WEIGHT		A200779 ©=2106947
4 PLC	±0.13	FINISH		RESTRICTED TO
ANGLES	±0°	CUSTOMER DRAWING		SCALE 4:1 SHEET 8 OF 9 REV 5



REVISONS		DATE	BY	APPROV
P	LYA			
DESCRIPTION				
SEE SHEET 1				



LAYOUT FOR MOUNTING  
2106947-3 AND 2106947-4  
ON A PC BOARD



LAYOUT FOR MOUNTING  
2106947-5 AND 2106947-6

**NEW PRODUCT  
PRELIMINARY  
IN DEVELOPMENT**

THIS DRAWING IS A CONTROLLED DOCUMENT.		OWN R. BROWN	03JUN2010		ASSEMBLY, SOLDERLESS LED SOCKET, SERIAL CKT, TYPE CM
DRAWN R. NARANG		03JUN2010	APPROV		
DIMENSIONS: mm		TO MANUFACTURE		PRODUCT SPEC 108-2439	SHEET CASE CODE DRAWING NO A200779 ©-2106947
0 PLC ±.1 1 PLC ±.13 2 PLC ±.2 3 PLC ±.25 4 PLC ±.3 ANGLES ±.2°		OPTIMISTIC SPECIFICS		APPLICATION SPEC 114-13281	
MATERIAL		FINISH		WEIGHT	RESTRICTED TO
				CUSTOMER DRAWING	SCALE 4:1 SHEET 9 OF 9 REV 5