

4

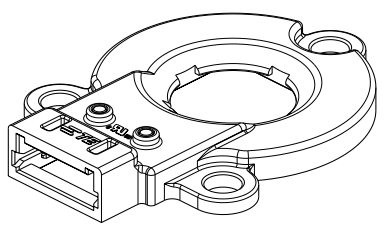
3

2

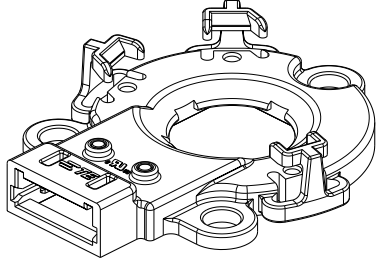
1

THIS DRAWING IS UNPUBLISHED. RELEASED FOR PUBLICATION. ALL RIGHTS RESERVED.

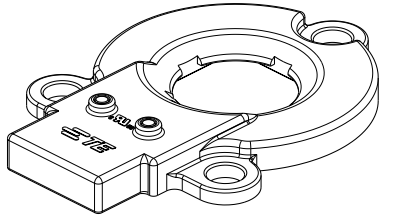
REV	DATE	BY	APPV
5	22SEP2011	MM	MM



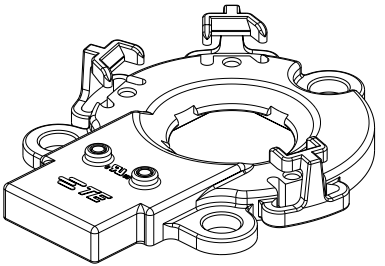
2106947-1



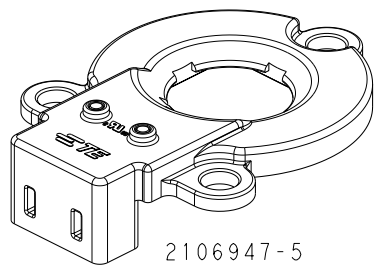
2106947-2



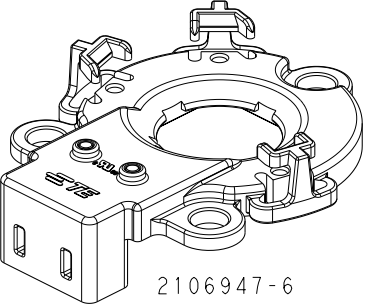
2106947-3



2106947-4



2106947-5



2106947-6

- △ MATERIALS AND FINISH:
-HOUSING: PBT-GF
-CONTACTS: COPPER ALLOY
FINISH: TIN AND SILVER OVER NICKEL
- 2. PRODUCT TO COMPLY WITH DIRECTIVE 2002/95/EC (ROHS)
- 3. PRODUCT HAS NOT COMPLETED VALIDATION TESTING
- △ RECOMMENDED SCREW SIZE: #4 OR M3
SCREW DOWN TORQUE: 0.28 N-M (2.5 IN-LBF) TO
0.45 N-M (4.0 IN-LBF)
- 5. SCREWS FROM FERROUS METALS (OTHER THAN STAINLESS STEEL) SHOULD BE ZINC PLATED OR HAVE AN EQUIVALENT PROTECTIVE COATING
- △ RECOMMENDED TE MATING CONNECTOR
-HOUSING: 353908-6
-CONTACT: 353907-1
- △ REFER TO CREE® XLAMP® MP-L™ SOLDERING AND HANDLING APPLICATION NOTE AVAILABLE ON THE CREE WEBSITE
- △ CENTER OF THE LED PACKAGE NOT OPTICAL CENTER
- △ PADS SHOULD BE SMOOTH AND FLAT. PADS TO BE PLATED WITH 2.54 MICRONS [100 μm] MIN HAL TIN

DESCRIPTION	PART NO.
SOCKET ASSEMBLY, LED TO INVERTED WIRE, W/ OPTICS LATCH	2106947-6
SOCKET ASSEMBLY, LED TO INVERTED WIRE, W/O OPTICS LATCH	2106947-5
SOCKET ASSEMBLY, LED TO BOARD W/ OPTICS LATCH	2106947-4
SOCKET ASSEMBLY, LED TO BOARD, W/O OPTICS LATCH	2106947-3
SOCKET ASSEMBLY, LED TO WIRE, W/ OPTICS LATCH	2106947-2
SOCKET ASSEMBLY, LED TO WIRE, W/O OPTICS LATCH	2106947-1

NEW PRODUCT
PRELIMINARY
IN DEVELOPMENT

THIS DRAWING IS A CONTROLLED DOCUMENT.		DATE: 03JUN2010		PRELIMINARY
DRAWN BY: R. BROWN		DATE: 03JUN2010		
CHECKED BY: R. NARANG		DATE: 03JUN2010	ASSEMBLY, SOLDERLESS LED SOCKET, SERIAL CKT, TYPE CM	
DIMENSIONS: mm		PRODUCT SPEC: 108-2439	RESTRICTED TO	
TO DIMENSIONS AND FINISHES: OPTIC SPEC: 114-13281		APPLICATION SPEC: 114-13281	SCALE: 4:1 SHEET 1 OF 9 REV 5	
MATERIAL: -		WEIGHT: -	CUSTOMER DRAWING	

4

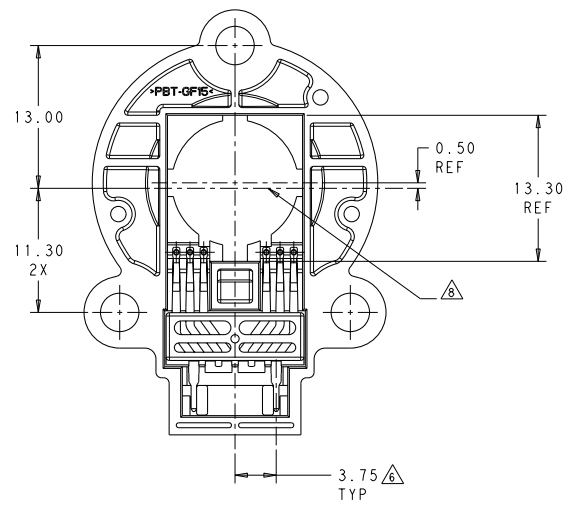
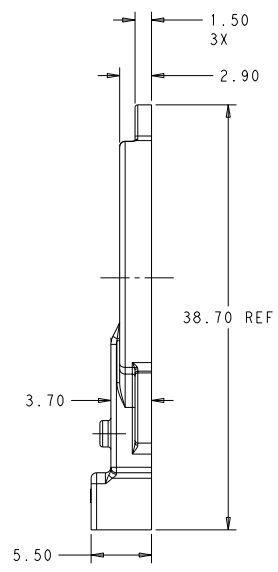
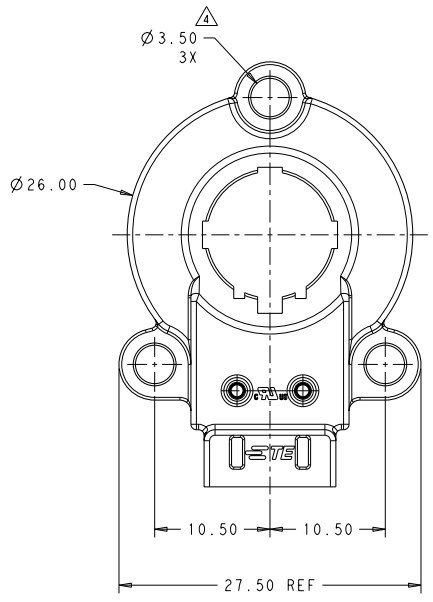
3

2

1

THIS DRAWING IS UNPUBLISHED. RELEASED FOR PUBLICATION. ALL RIGHTS RESERVED.

LOC	DISP	REVISIONS	DATE	BY	APPR
-	-	DESCRIPTION			
P	LYA	SEE SHEET 1	-	-	-



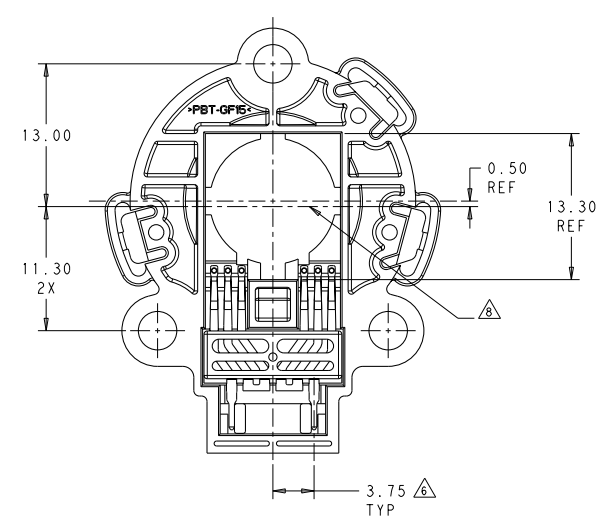
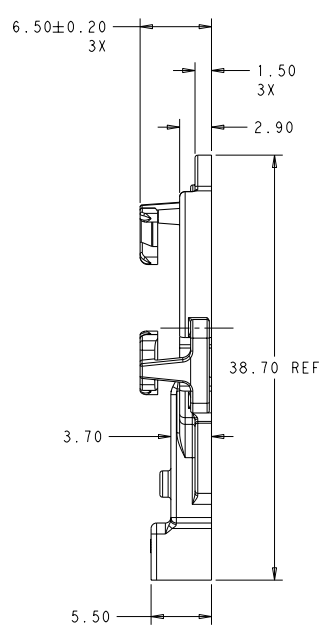
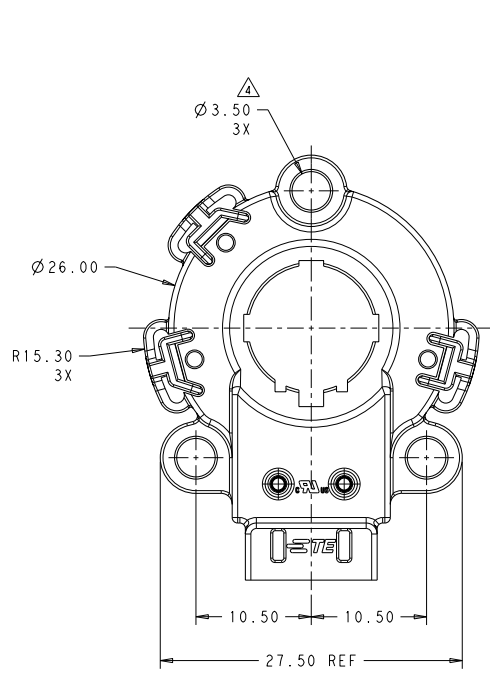
2106947-1 SHOWN

NEW PRODUCT
PRELIMINARY
IN DEVELOPMENT

THIS DRAWING IS A CONTROLLED DOCUMENT.		OWN R. BROWN	03JUN2010	TE Connectivity
DIMENSIONS: mm		CHK R. NARANG	03JUN2010	
SYMBOLS: SYMBOLS		APPROV	NAME	ASSEMBLY, SOLDERLESS LED SOCKET, SERIAL CKT, TYPE CM
0 PLC ±.2		PRODUCT SPEC	108-2439	
1 PLC ±.13		APPLICATION SPEC	114-13281	SHEET CASE CODE DRAWING NO
2 PLC ±.1		WEIGHT	A200779	2106947
3 PLC ±.075		MATERIAL	CUSTOMER DRAWING	SCALE 4:1 SHEET 2 OF 9 REV 5
4 PLC ±.05		FINISH		
ANGLES ±.2°				

THIS DRAWING IS UNPUBLISHED. RELEASED FOR PUBLICATION. ALL RIGHTS RESERVED.

REVISIONS				
P	LY	DESCRIPTION	DATE	BY
-	-	SEE SHEET 1	-	-



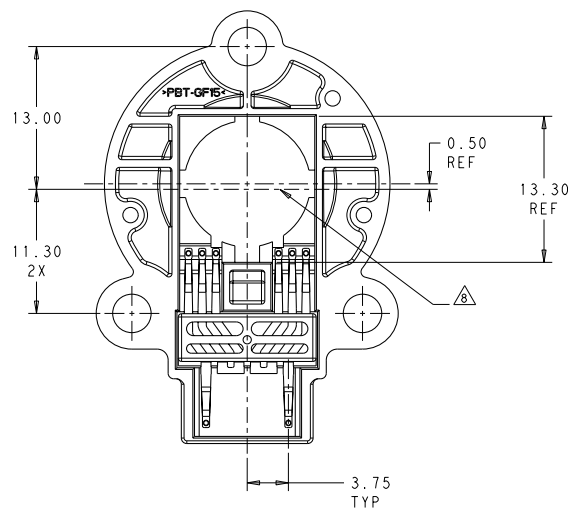
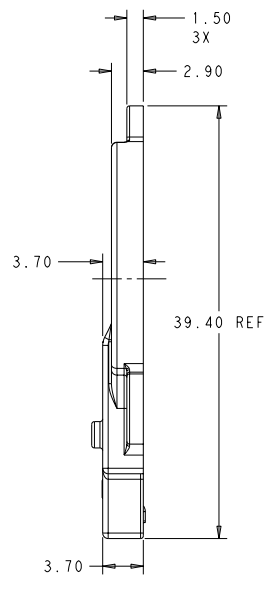
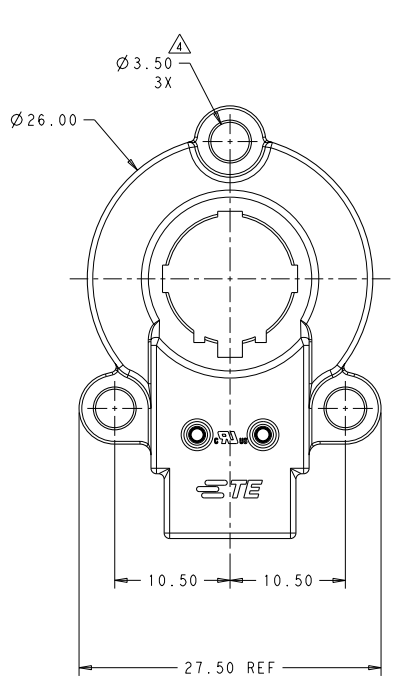
2106947-2 SHOWN

**NEW PRODUCT
PRELIMINARY
IN DEVELOPMENT**

THIS DRAWING IS A CONTROLLED DOCUMENT.		OWN R. BROWN	03JUN2010	TE Connectivity
DIMENSIONS: mm		CHK R. NARANG	03JUN2010	
TO DRAWING SPECIFICATIONS: 0 PLC ±° 1 PLC ±° 2 PLC ±0.13 3 PLC ±° 4 PLC ±° ANGLES ±° FINISH		APPRO	NAME	ASSEMBLY, SOLDERLESS LED SOCKET, SERIAL CKT, TYPE CM
MATERIAL		PRODUCT SPEC 108-2439	APPLICATION SPEC 114-13281	RESTRICTED TO
-		WEIGHT	A200779	SCALE 4:1 SHEET 3 OF 5
-		CUSTOMER DRAWING	©=2106947	REV 5

THIS DRAWING IS UNPUBLISHED. RELEASED FOR PUBLICATION. ALL RIGHTS RESERVED.

LOC		DIST		REVISIONS			
P	LY	DESCRIPTION	DATE	BY	APPR		
-	-	SEE SHEET 1	-	-	-	-	-

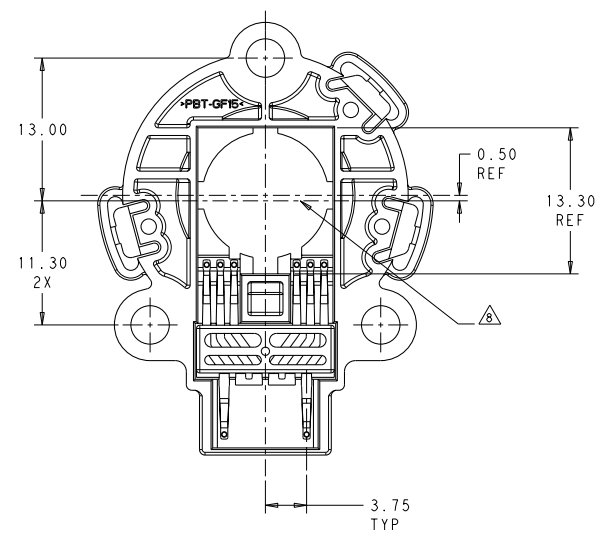
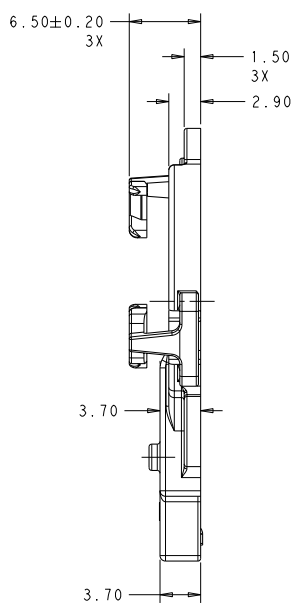
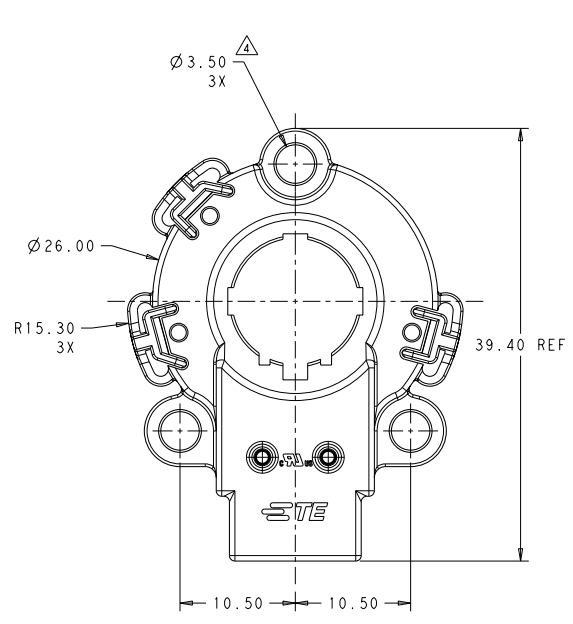


2106947-3 SHOWN

**NEW PRODUCT
PRELIMINARY
IN DEVELOPMENT**

THIS DRAWING IS A CONTROLLED DOCUMENT.		OWN R. BROWN	03JUN2010	TE Connectivity
DIMENSIONS: mm		CHK R. NARANG	03JUN2010	
TOLERANCES UNLESS OTHERWISE SPECIFIED:		APPR	NAME	ASSEMBLY, SOLDERLESS LED SOCKET, SERIAL CKT, TYPE CM
0 PLC	±0.13	PRODUCT SPEC	108-2439	
1 PLC	±0.13	APPLICATION SPEC	114-13281	
2 PLC	±0.13	WEIGHT	A200779	RESTRICTED TO
3 PLC	±0.13	MATERIAL	CUSTOMER DRAWING	SCALE 4:1 SHEET 4 OF 9 REV 5
4 PLC	±0.13	FINISH		
ANGLES	±0.5°			

REVISIONS					
P	LYA	DESCRIPTION	DATE	BYN	APVS
-	-	SEE SHEET 1	-	-	-



2106947-4 SHOWN

**NEW PRODUCT
PRELIMINARY
IN DEVELOPMENT**

THIS DRAWING IS A CONTROLLED DOCUMENT.		OWN R. BROWN	03JUN2010	TE Connectivity
DIMENSIONS: mm		CHK R. NARANG	03JUN2010	
TO DRAWING SPECIFICATIONS		APP'D	NAME	ASSEMBLY, SOLDERLESS LED SOCKET, SERIAL CKT, TYPE CM
0 PLC ±0.13		PRODUCT SPEC	108-2439	
1 PLC ±0.13		APPLICATION SPEC	114-13281	SIZE CASE CODE DRAWING NO A200779 ©-2106947
2 PLC ±0.13		WEIGHT	-	
3 PLC ±0.13		MATERIAL	CUSTOMER DRAWING	RESTRICTED TO
4 PLC ±0.13		FINISH	-	SCALE 4:1 SHEET 5 OF 9 REV 5

4

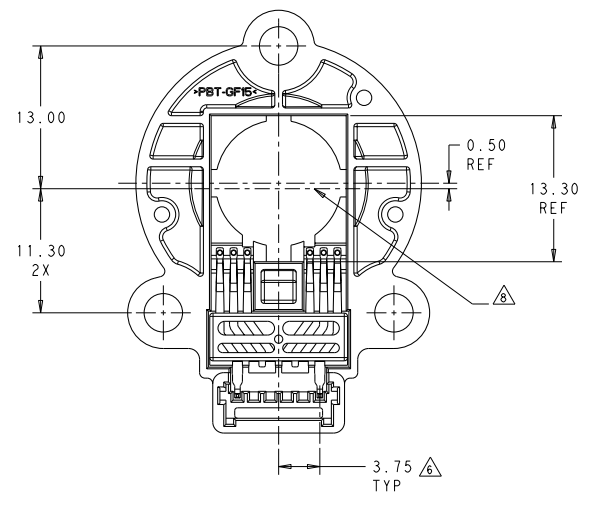
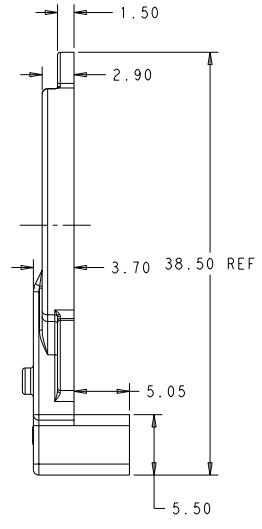
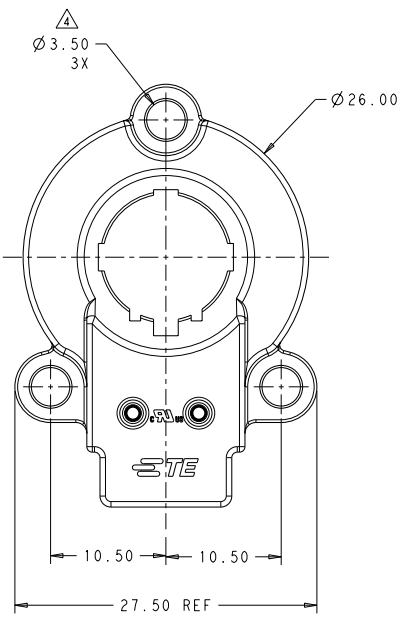
3

2

1

THIS DRAWING IS UNPUBLISHED. RELEASED FOR PUBLICATION. ALL RIGHTS RESERVED.

REV	DATE	BY	APPROV
1	-	-	-
2	-	-	-
3	-	-	-
4	-	-	-



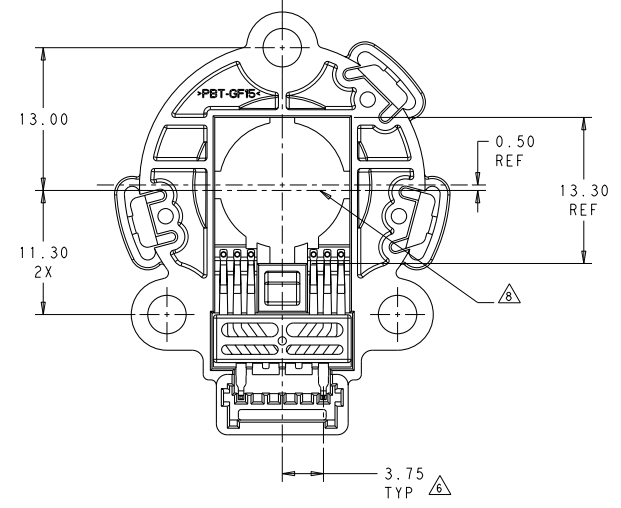
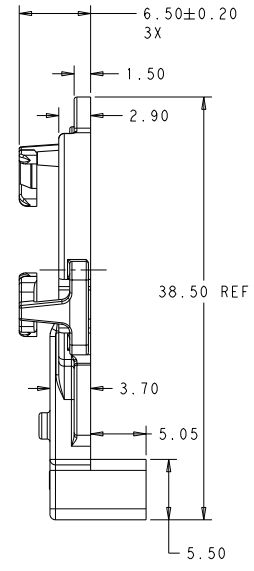
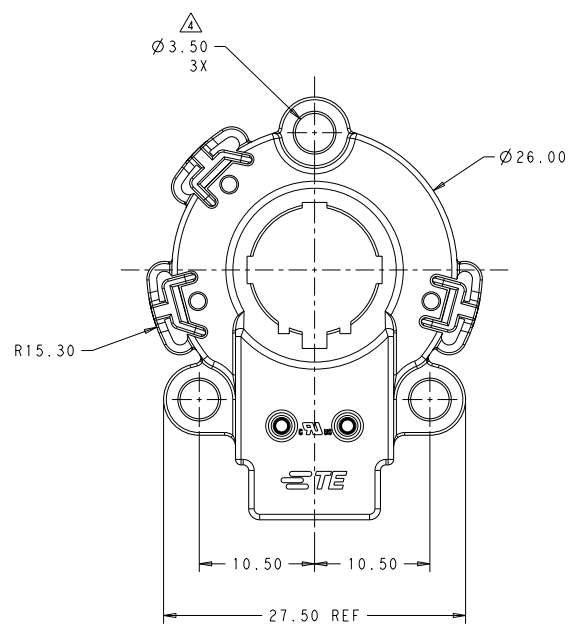
2106947-5 SHOWN

NEW PRODUCT PRELIMINARY IN DEVELOPMENT

THIS DRAWING IS A CONTROLLED DOCUMENT.		OWN R. BROWN	03JUN2010	TE Connectivity
DIMENSIONS: mm		CHK R. NARANG	03JUN2010	
TO DRAWING SPECIFICATIONS		APPROV		NAME ASSEMBLY, SOLDERLESS LED SOCKET, SERIAL CKT, TYPE CM
0 PLC		PRODUCT SPEC	108-2439	SHEET CASE CODE DRAWING NO
1 PLC		APPLICATION SPEC	114-13281	A200779 ©=2106947
2 PLC		WEIGHT		RESTRICTED TO
3 PLC				
4 PLC				
ANGLES				
FINISH				
MATERIAL		CUSTOMER DRAWING	SCALE 4:1	SHEET 6 OF 9 REV 5

THIS DRAWING IS UNPUBLISHED. RELEASED FOR PUBLICATION. ALL RIGHTS RESERVED.

LOC	DISP	REV	DESCRIPTION	DATE	BY	APPR
-	-	1	SEE SHEET 1	-	-	-

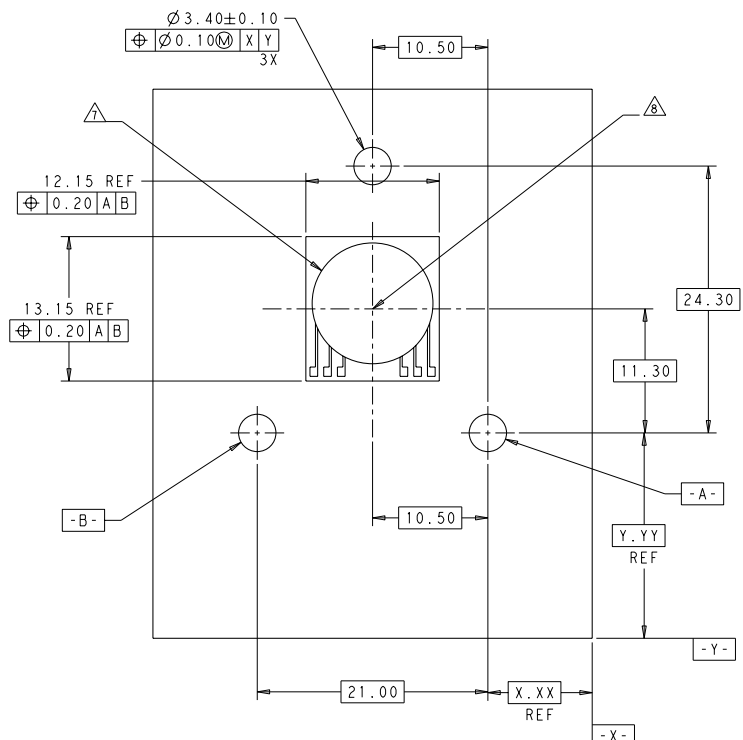


2106947-6 SHOWN

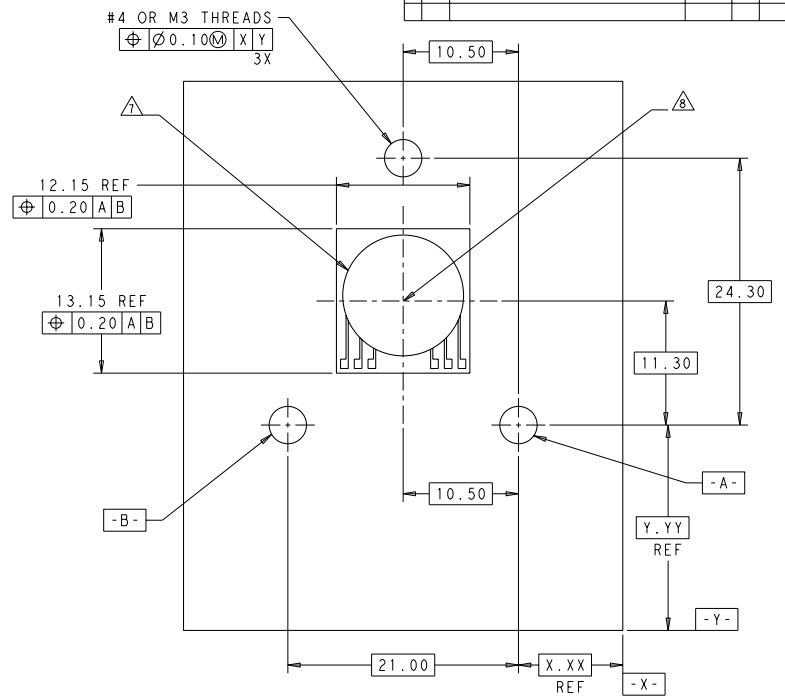
**NEW PRODUCT
PRELIMINARY
IN DEVELOPMENT**

THIS DRAWING IS A CONTROLLED DOCUMENT.		OWN R. BROWN	03JUN2010	TE Connectivity
DIMENSIONS: mm		CHK R. NARANG	03JUN2010	
TO DRAWING'S SPECIFICATIONS: 0 PLC ±0.13 1 PLC ±0.13 2 PLC ±0.13 3 PLC ±0.13 4 PLC ±0.13 ANGLES ±0°		APPROV	NAME	ASSEMBLY, SOLDERLESS LED SOCKET, SERIAL CKT, TYPE CM
MATERIAL		PRODUCT SPEC	108-2439	SHEET CASE CODE DRAWING NO
FINISH		APPLICATION SPEC	114-13281	A200779 ©-2106947
WEIGHT		RESTRICTED TO	CUSTOMER DRAWING	SCALE 4:1 SHEET 7 OF 9 REV 5

REVISIONS				
P	LYR	DESCRIPTION	DATE	BY
-	-	SEE SHEET 1	-	-



LAYOUT FOR MOUNTING
2106947-1 AND 2106947-2
ON A PC BOARD

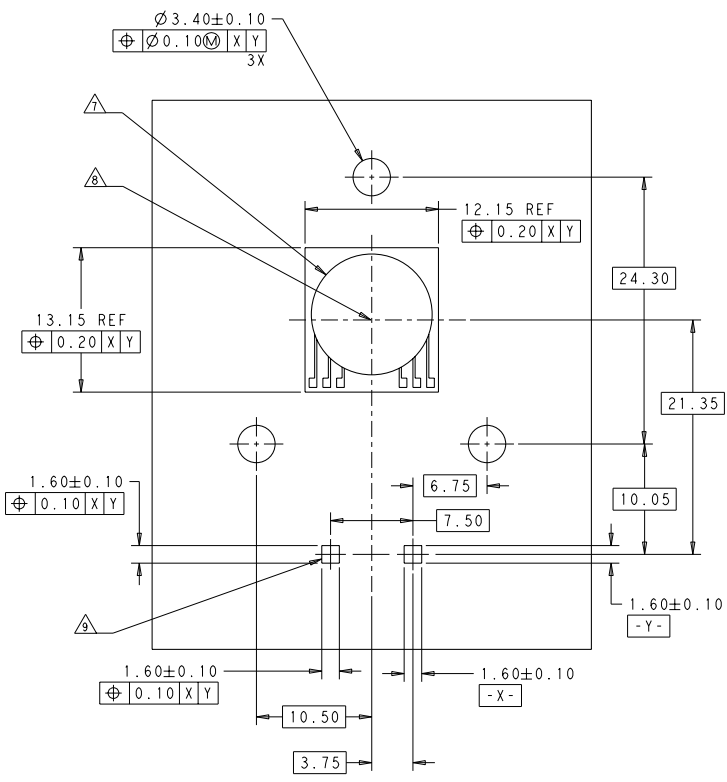


LAYOUT FOR MOUNTING
2106947-1 AND 2106947-2
ON A HEAT SINK

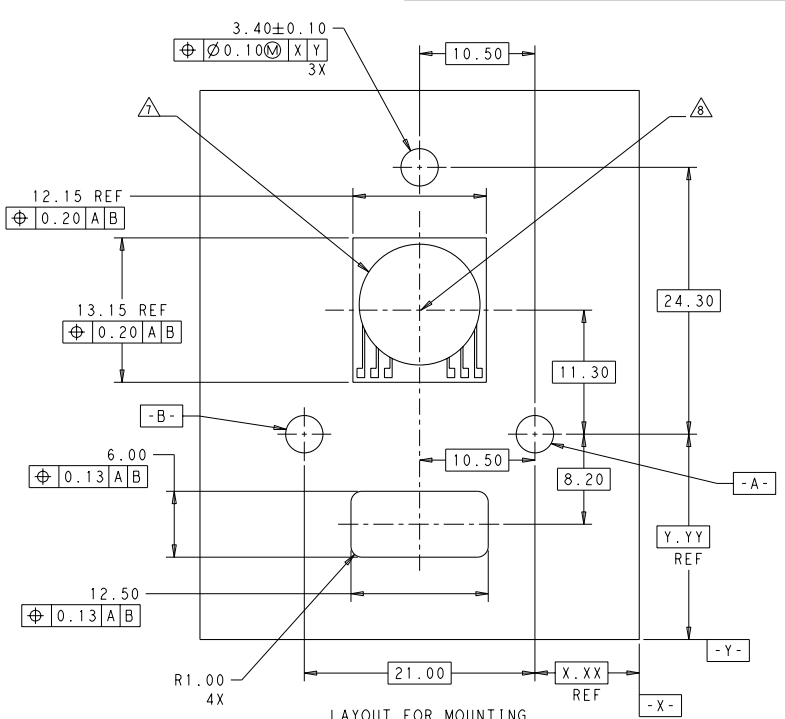
**NEW PRODUCT
PRELIMINARY
IN DEVELOPMENT**

THIS DRAWING IS A CONTROLLED DOCUMENT.		OWN R. BROWN	03JUN2010	
DIMENSIONS: mm		CHK R. NARANG	03JUN2010	
TOLERANCES UNLESS OTHERWISE SPECIFIED:		APPROVED		NAME
0 PLC	±0.13	PRODUCT SPEC		ASSEMBLY, SOLDERLESS LED SOCKET, SERIAL CKT, TYPE CM
1 PLC	±0.13	APPLICATION SPEC		
2 PLC	±0.13	114-13281		SHEET CASE CODE DRAWING NO
3 PLC	±0.13	WEIGHT		A200779 ©=2106947
4 PLC	±0.13	FINISH		RESTRICTED TO
ANGLES	±0.13	CUSTOMER DRAWING		SCALE 4:1 SHEET 8 OF 9 REV 5

REVISONS		DATE	BY	APPR
P	LYA			
DESCRIPTION				
SEE SHEET 1				



LAYOUT FOR MOUNTING
2106947-3 AND 2106947-4
ON A PC BOARD



LAYOUT FOR MOUNTING
2106947-5 AND 2106947-6

**NEW PRODUCT
PRELIMINARY
IN DEVELOPMENT**

THIS DRAWING IS A CONTROLLED DOCUMENT.		OWN R. BROWN	03JUN2010	TE Connectivity
DRAWN BY R. NARANG		03JUN2010		
DIMENSIONS: mm		PRODUCT SPEC 108-2439	NAME ASSEMBLY, SOLDERLESS LED SOCKET, SERIAL CKT, TYPE CM	
TOLERANCES UNLESS OTHERWISE SPECIFIED:		APPLICATION SPEC 114-13281	SITE CASE CODE DRAWING NO A200779 ©-2106947	
MATERIAL FINISH		WEIGHT CUSTOMER DRAWING	RESTRICTED TO SCALE 4:1 SHEET 9 OF 9 REV 5	