

4

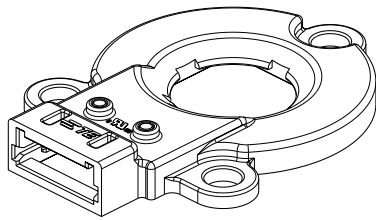
3

2

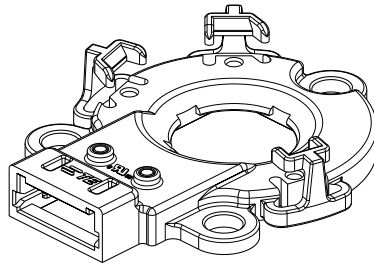
1

THIS DRAWING IS UNPUBLISHED. RELEASED FOR PUBLICATION. ALL RIGHTS RESERVED.

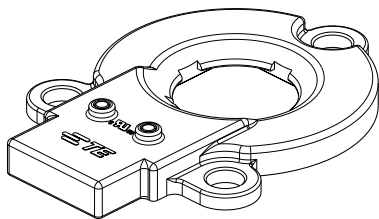
| REV | DATE | BY | APPV |
|-----|-----------|----|------|
| 5 | 22SEP2011 | MM | MM |
| | | | |
| | | | |



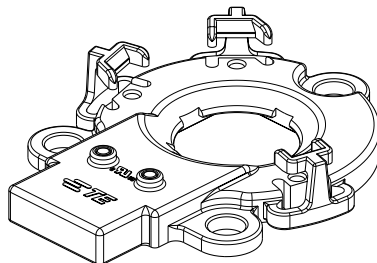
2106947-1



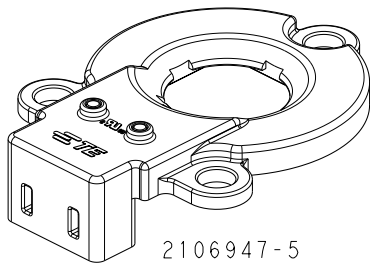
2106947-2



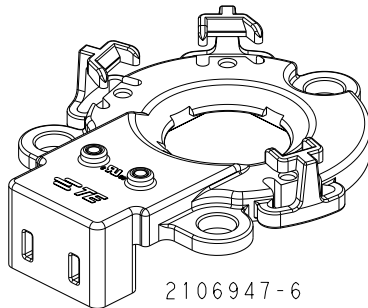
2106947-3



2106947-4



2106947-5



2106947-6

- △ MATERIALS AND FINISH:
 -HOUSING: PBT-GF
 -CONTACTS: COPPER ALLOY
 FINISH: TIN AND SILVER OVER NICKEL
- 2. PRODUCT TO COMPLY WITH DIRECTIVE 2002/95/EC (ROHS)
- 3. PRODUCT HAS NOT COMPLETED VALIDATION TESTING
- △ RECOMMENDED SCREW SIZE: #4 OR M3
 SCREW DOWN TORQUE: 0.28 N-M (2.5 IN-LBF) TO
 0.45 N-M (4.0 IN-LBF)
- 5. SCREWS FROM FERROUS METALS (OTHER THAN STAINLESS STEEL) SHOULD BE ZINC PLATED OR HAVE AN EQUIVALENT PROTECTIVE COATING
- △ RECOMMENDED TE MATING CONNECTOR
 -HOUSING: 353908-6
 -CONTACT: 353907-1
- △ REFER TO CREE® XLAMP® MP-L™ SOLDERING AND HANDLING APPLICATION NOTE AVAILABLE ON THE CREE WEBSITE
- △ CENTER OF THE LED PACKAGE NOT OPTICAL CENTER
- △ PADS SHOULD BE SMOOTH AND FLAT. PADS TO BE PLATED WITH 2.54 MICRONS [100 μm] MIN HAL TIN

| DESCRIPTION | PART NO. |
|---|-----------|
| SOCKET ASSEMBLY, LED TO INVERTED WIRE, W/ OPTICS LATCH | 2106947-6 |
| SOCKET ASSEMBLY, LED TO INVERTED WIRE, W/O OPTICS LATCH | 2106947-5 |
| SOCKET ASSEMBLY, LED TO BOARD W/ OPTICS LATCH | 2106947-4 |
| SOCKET ASSEMBLY, LED TO BOARD, W/O OPTICS LATCH | 2106947-3 |
| SOCKET ASSEMBLY, LED TO WIRE, W/ OPTICS LATCH | 2106947-2 |
| SOCKET ASSEMBLY, LED TO WIRE, W/O OPTICS LATCH | 2106947-1 |

**NEW PRODUCT
 PRELIMINARY
 IN DEVELOPMENT**

| | | | |
|--|--|-----------------------------|--|
| THIS DRAWING IS A CONTROLLED DOCUMENT. | | DATE: 03JUN2010 | PRELIMINARY |
| DRAWN BY: R. BROWN | | DATE: 03JUN2010 | |
| CHECKED BY: R. NARANG | | DATE: 03JUN2010 | TE CONNECTIVITY ASSEMBLY, SOLDERLESS LED SOCKET, SERIAL CKT, TYPE CM |
| APPROVED BY: | | DATE: | |
| DIMENSIONS: mm | | PRODUCT SPEC: 108-2439 | RESTRICTED TO |
| TOLERANCES UNLESS OTHERWISE SPECIFIED: | | APPLICATION SPEC: 114-13281 | |
| MATERIAL: PBT-GF | | WEIGHT: - | SCALE: 4:1 SHEET 1 OF 9 REV 5 |
| FINISH: - | | CUSTOMER DRAWING | |

4

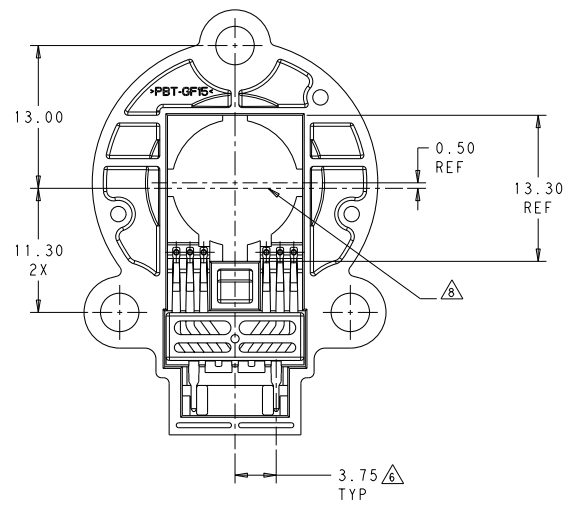
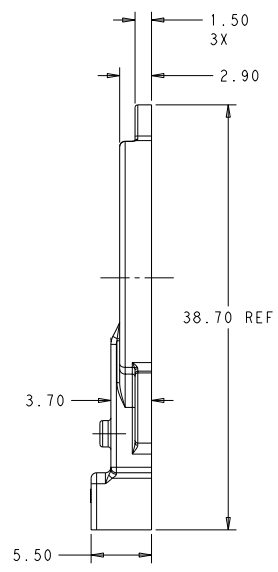
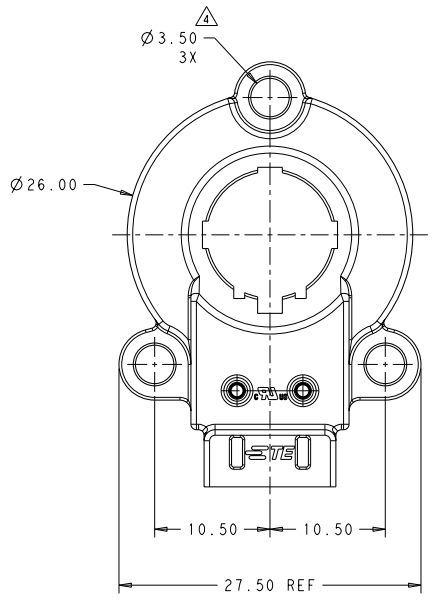
3

2

1

THIS DRAWING IS UNPUBLISHED. RELEASED FOR PUBLICATION. COPYRIGHT © BY - ALL RIGHTS RESERVED.

| LOC | DISP | REV | DESCRIPTION | DATE | BY | APPR |
|-----|------|-----|-------------|------|----|------|
| - | - | 1 | SEE SHEET 1 | - | - | - |
| | | | | | | |
| | | | | | | |

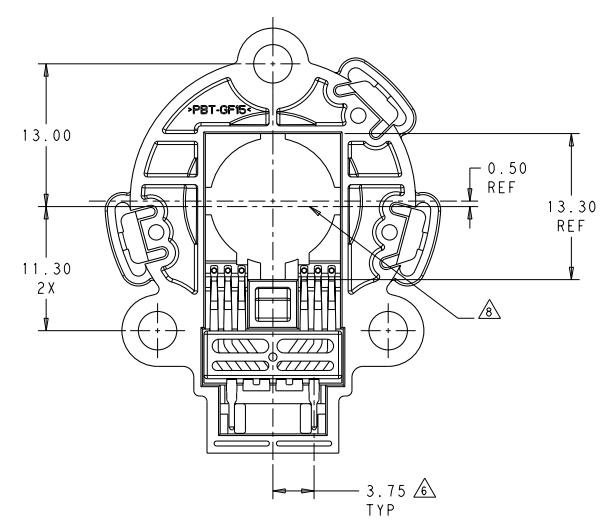
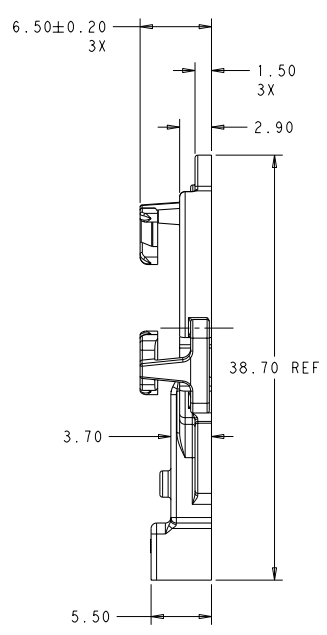
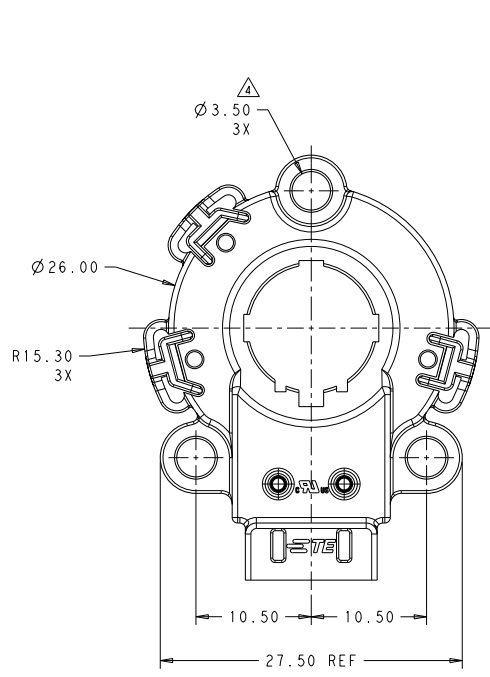


2106947-1 SHOWN

NEW PRODUCT
PRELIMINARY
IN DEVELOPMENT

| | | | | |
|--|--|------------------|------------------|---|
| THIS DRAWING IS A CONTROLLED DOCUMENT. | | OWN R. BROWN | 03JUN2010 | TE Connectivity |
| DIMENSIONS: mm | | CHK R. NARANG | 03JUN2010 | |
| TOLERANCES UNLESS OTHERWISE SPECIFIED: | | APPR | NAME | ASSEMBLY, SOLDERLESS LED SOCKET, SERIAL CKT, TYPE CM |
| 0 PLC ±.2 | | PRODUCT SPEC | 108-2439 | |
| 1 PLC ±.13 | | APPLICATION SPEC | 114-13281 | SHEET CASE CODE DRAWING NO |
| 2 PLC ±.1 | | WEIGHT | A200779 | ©-2106947 |
| 3 PLC ±.075 | | MATERIAL | CUSTOMER DRAWING | RESTRICTED TO |
| 4 PLC ±.05 | | FINISH | | SCALE 4:1 SHEET 2 OF 9 REV 5 |
| ANGLES ±.2° | | | | |

| REVISIONS | | | | |
|-----------|----|-------------|------|----|
| P | LY | DESCRIPTION | DATE | BY |
| - | - | SEE SHEET 1 | - | - |
| | | | | |
| | | | | |



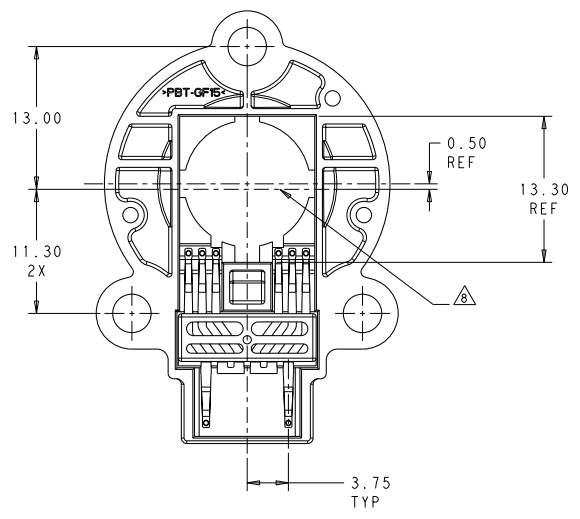
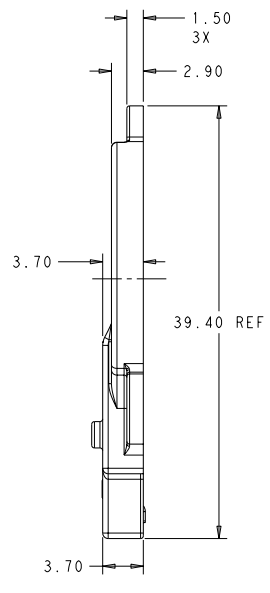
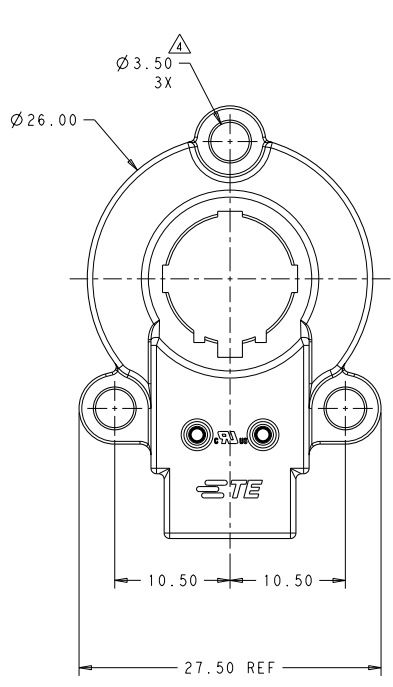
2106947-2 SHOWN

**NEW PRODUCT
PRELIMINARY
IN DEVELOPMENT**

| | | | | |
|--|--|--------------------------|-------------------------------|--|
| THIS DRAWING IS A CONTROLLED DOCUMENT. | | OWN R. BROWN | 03JUN2010 | TE Connectivity |
| DIMENSIONS: mm | | CHK R. NARANG | 03JUN2010 | |
| TO DRAWING SPECIFICATIONS: 0 PLC ±° 1 PLC ±° 2 PLC ±0.13 3 PLC ±° 4 PLC ±° ANGLES ±° FINISH | | APPROV | NAME | ASSEMBLY, SOLDERLESS LED SOCKET, SERIAL CKT, TYPE CM |
| MATERIAL | | PRODUCT SPEC 108-2439 | APPLICATION SPEC 114-13281 | RESTRICTED TO |
| - | | WEIGHT | A200779 | SCALE 4:1 SHEET 3 OF 5 |
| - | | CUSTOMER DRAWING | ©=2106947 | REV 5 |

THIS DRAWING IS UNPUBLISHED. RELEASED FOR PUBLICATION. ALL RIGHTS RESERVED.

| LOC | | DIST | | REVISIONS | | | |
|-----|----|-------------|------|-----------|------|---|---|
| P | LY | DESCRIPTION | DATE | BY | APPR | | |
| - | - | SEE SHEET 1 | - | - | - | - | - |

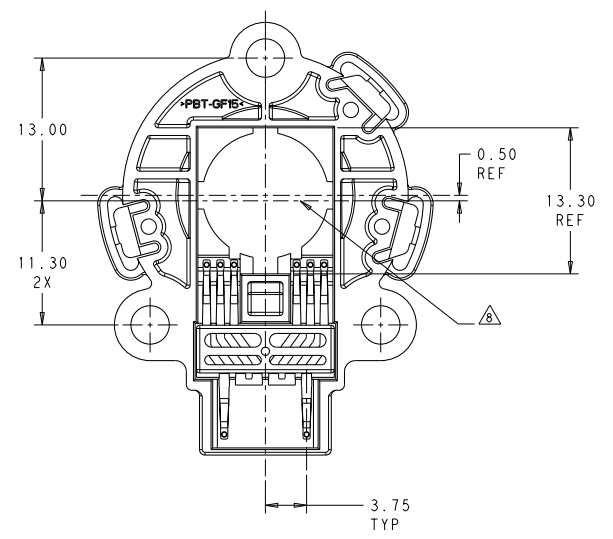
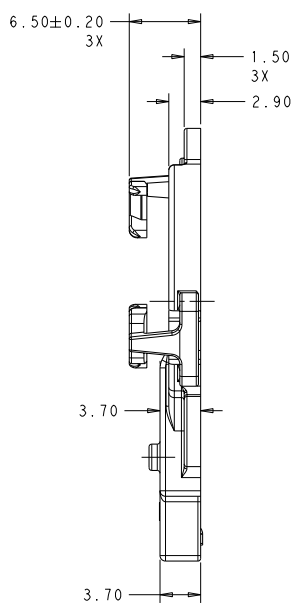
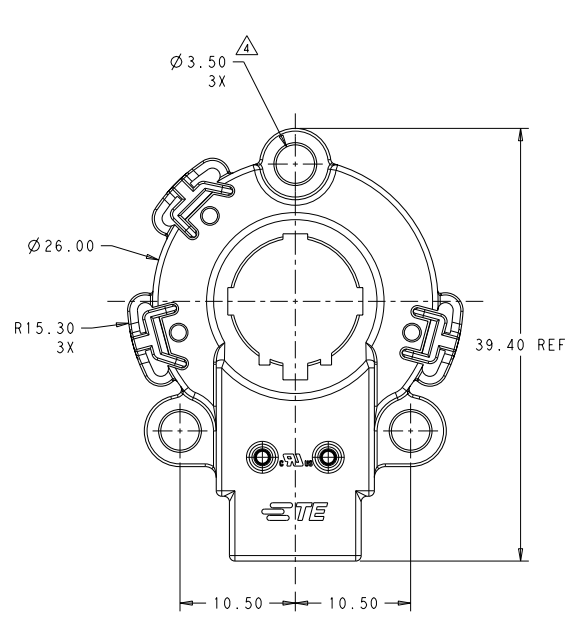


2106947-3 SHOWN

**NEW PRODUCT
PRELIMINARY
IN DEVELOPMENT**

| | | | | |
|---|--|------------------|-----------|---|
| THIS DRAWING IS A CONTROLLED DOCUMENT. | | OWN R. BROWN | 03JUN2010 | TE Connectivity |
| DIMENSIONS: mm | | CHK R. NARANG | 03JUN2010 | |
| TO DRAWING SPECIFICATIONS: 0 PLC ±.2° 1 PLC ±.1° 2 PLC ±0.13° 3 PLC ±.1° 4 PLC ±.1° ANGLES ±.2° | | APPRO | NAME | ASSEMBLY, SOLDERLESS LED SOCKET, SERIAL CKT, TYPE CM |
| MATERIAL | | FINISH | WEIGHT | RESTRICTED TO |
| - | | - | - | SIZE CASE CODE DRAWING NO |
| - | | CUSTOMER DRAWING | A200779 | ©=2106947 |
| | | | SCALE 4:1 | SHEET 4 OF 9 REV 5 |

| REVISIONS | | | | |
|-----------|----|-------------|------|----|
| P | LY | DESCRIPTION | DATE | BY |
| - | - | SEE SHEET 1 | - | - |
| | | | | |
| | | | | |



2106947-4 SHOWN

**NEW PRODUCT
PRELIMINARY
IN DEVELOPMENT**

| | | | | |
|--|--|------------------|------------------|---|
| THIS DRAWING IS A CONTROLLED DOCUMENT. | | OWN R. BROWN | 03JUN2010 | TE Connectivity |
| DIMENSIONS: mm | | CHK R. NARANG | 03JUN2010 | |
| TO DRAWING SPECIFICATIONS | | APP'D | NAME | ASSEMBLY, SOLDERLESS LED SOCKET, SERIAL CKT, TYPE CM |
| 0 PLC ±0.13 | | PRODUCT SPEC | 108-2439 | |
| 1 PLC ±0.13 | | APPLICATION SPEC | 114-13281 | RESTRICTED TO |
| 2 PLC ±0.13 | | WEIGHT | A200779 | SCALE 4:1 SHEET 5 OF 9 REV 5 |
| 3 PLC ±0.13 | | MATERIAL | CUSTOMER DRAWING | |
| 4 PLC ±0.13 | | | | |
| ANGLES ±0.2° | | | | |
| FINISH | | | | |

4

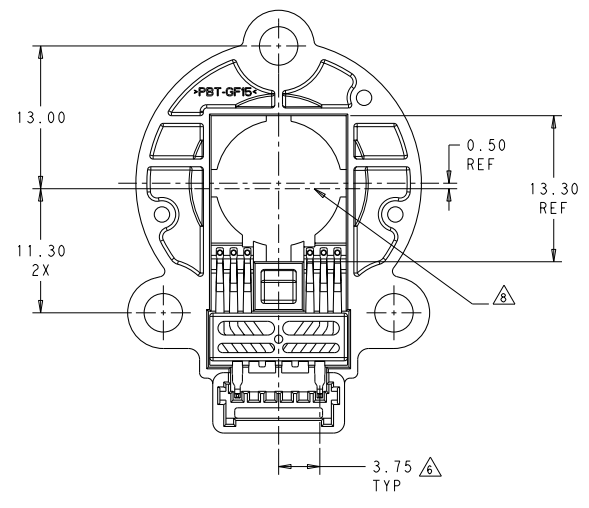
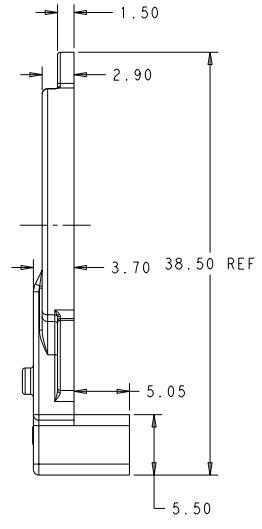
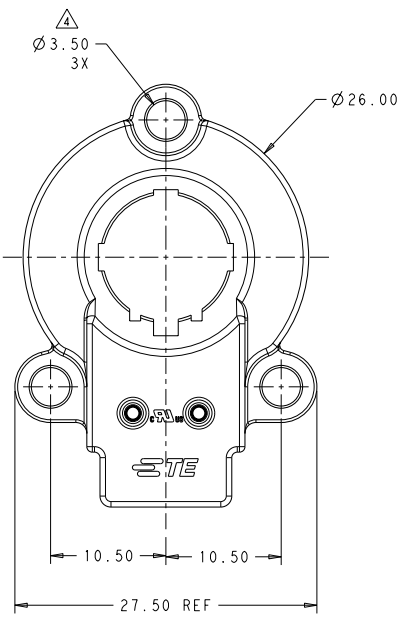
3

2

1

THIS DRAWING IS UNPUBLISHED. RELEASED FOR PUBLICATION. ALL RIGHTS RESERVED.

| REV | DATE | BY | APPROV | DESCRIPTION |
|-----|------|----|--------|-------------|
| 1 | - | - | - | SEE SHEET 1 |



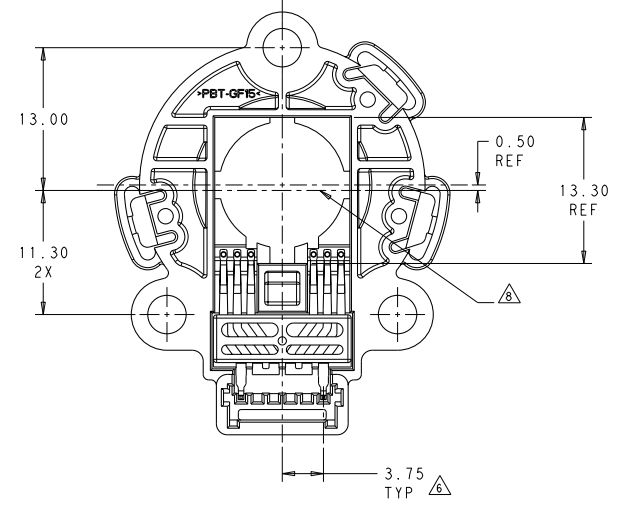
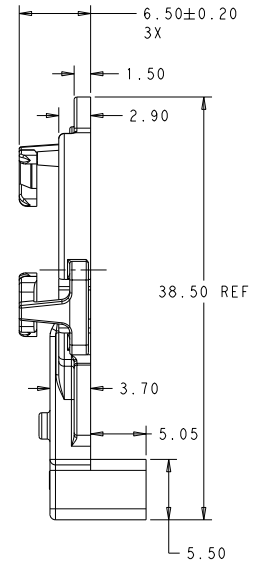
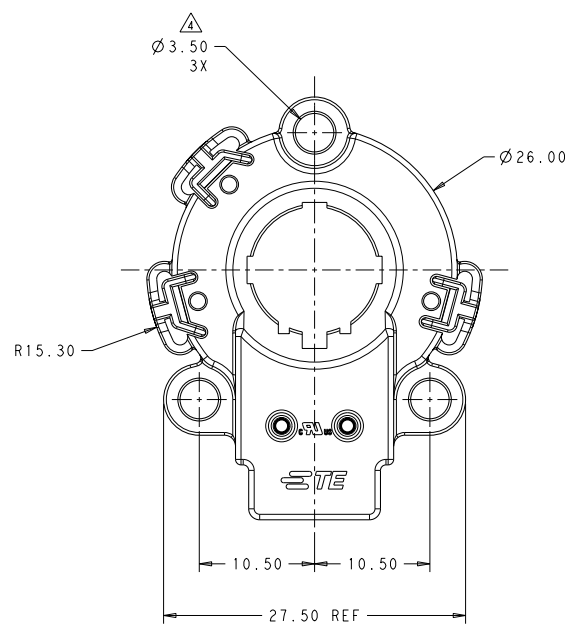
2106947-5 SHOWN

NEW PRODUCT PRELIMINARY IN DEVELOPMENT

| | | | | |
|---|--|------------------|-----------|--|
| THIS DRAWING IS A CONTROLLED DOCUMENT. | | OWN R. BROWN | 03JUN2010 | TE Connectivity |
| DIMENSIONS: mm | | CHK R. NARANG | 03JUN2010 | |
| TO MANUFACTURE: 0 TO ASSEMBLY: 1 TO TEST: 2 TO INSPECT: 3 TO APPROVE: 4 TO RELEASE: 5 TO ARCHIVE: 6 | | APPROV | NAME | ASSEMBLY, SOLDERLESS LED SOCKET, SERIAL CKT, TYPE CM |
| MATERIAL | | PRODUCT SPEC | 108-2439 | SHEET CASE CODE DRAWING NO |
| | | APPLICATION SPEC | 114-13281 | A200779 |
| | | WEIGHT | - | ©=2106947 |
| | | FINISH | - | RESTRICTED TO |
| | | CUSTOMER DRAWING | SCALE 4:1 | SHEET 6 OF 9 REV 5 |

THIS DRAWING IS UNPUBLISHED. RELEASED FOR PUBLICATION
 BY - ALL RIGHTS RESERVED.

| LOC | DISP | REVISIONS | DATE | BY | APPR |
|-----|------|-------------|------|----|------|
| | | DESCRIPTION | | | |
| | | SEE SHEET 1 | | | |

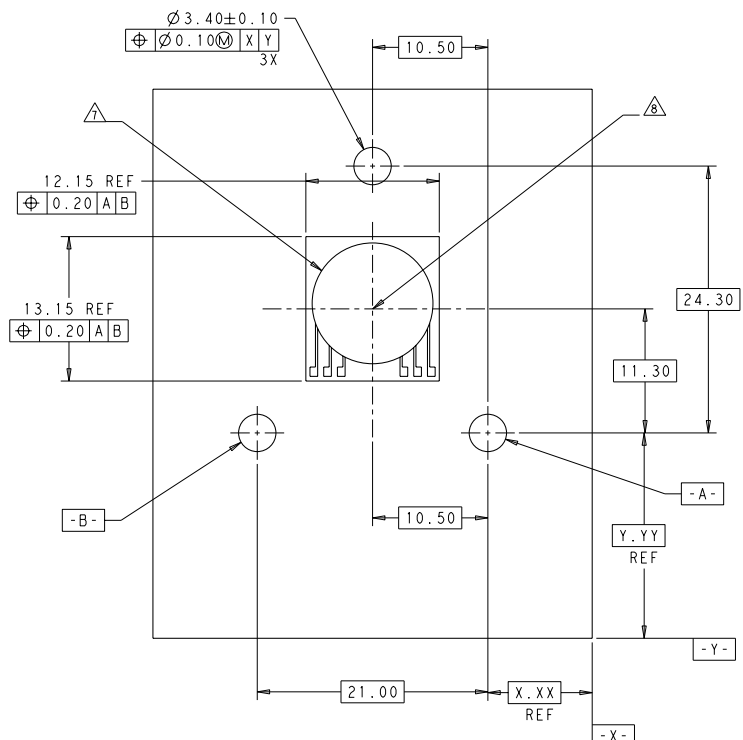


2106947-6 SHOWN

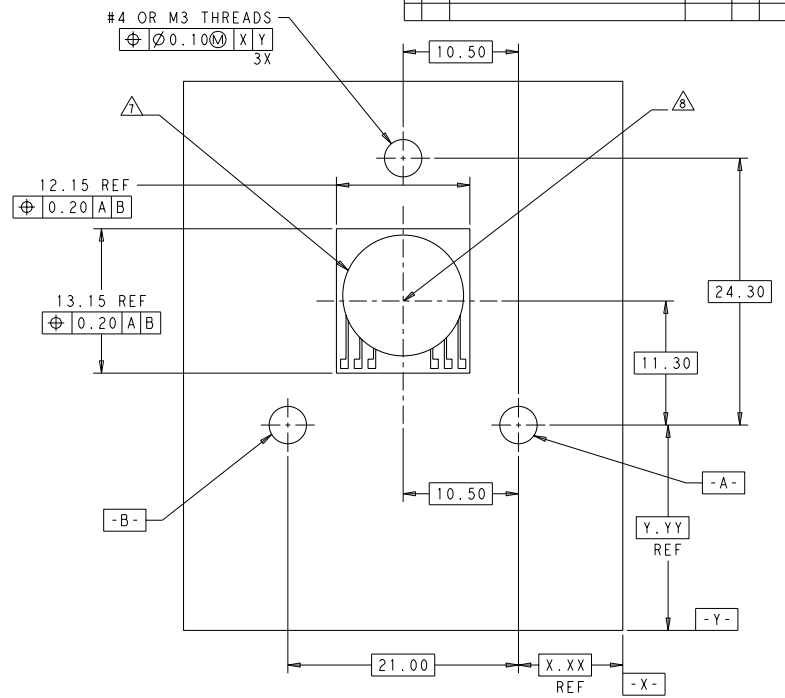
**NEW PRODUCT
 PRELIMINARY
 IN DEVELOPMENT**

| | | | | |
|---|--|-------------------------------|-----------|--|
| THIS DRAWING IS A CONTROLLED DOCUMENT. | | OWN R. BROWN | 03JUN2010 | TE Connectivity |
| DIMENSIONS: mm | | CHK R. NARANG | 03JUN2010 | |
| TO MANUFACTURE: OPTIMISTIC SPECIFICATIONS | | APPR | | NAME ASSEMBLY, SOLDERLESS LED SOCKET, SERIAL CKT, TYPE CM |
| MATERIAL | | PRODUCT SPEC 108-2439 | | RESTRICTED TO |
| | | APPLICATION SPEC 114-13281 | | SHEET CASE CODE DRAWING NO A200779 ©-2106947 |
| | | WEIGHT | | SCALE 4:1 SHEET 7 OF 9 REV 5 |
| | | FINISH | | CUSTOMER DRAWING |

| REVISIONS | | | | |
|-----------|-----|-------------|------|----|
| P | LYR | DESCRIPTION | DATE | BY |
| - | - | SEE SHEET 1 | - | - |
| | | | | |
| | | | | |



LAYOUT FOR MOUNTING
2106947-1 AND 2106947-2
ON A PC BOARD

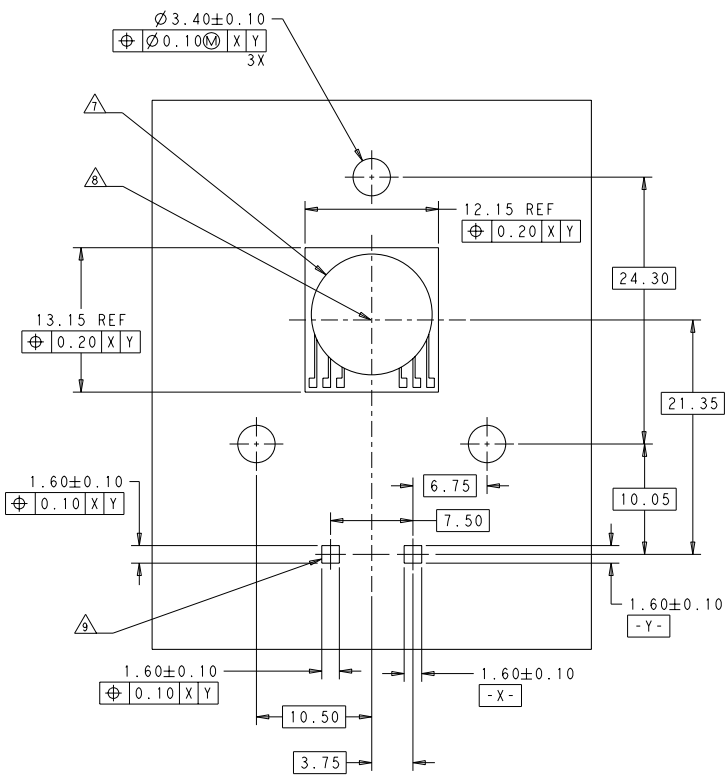


LAYOUT FOR MOUNTING
2106947-1 AND 2106947-2
ON A HEAT SINK

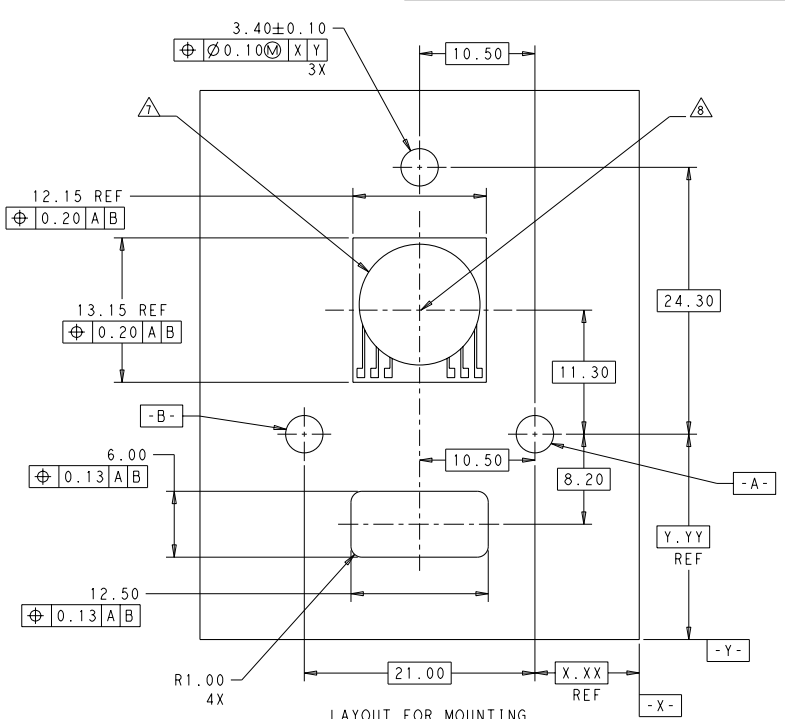
**NEW PRODUCT
PRELIMINARY
IN DEVELOPMENT**

| | | | | |
|--|-------|------------------|--------------------|--|
| THIS DRAWING IS A CONTROLLED DOCUMENT. | | OWN R. BROWN | 03JUN2010 | |
| DIMENSIONS: mm | | CHK R. NARANG | 03JUN2010 | |
| TOLERANCES UNLESS OTHERWISE SPECIFIED: | | APPROV | NAME | ASSEMBLY, SOLDERLESS LED SOCKET, SERIAL CKT, TYPE CM |
| 0 PLC | ±0.13 | PRODUCT SPEC | | 108-2439 |
| 1 PLC | ±0.13 | APPLICATION SPEC | | 114-13281 |
| 2 PLC | ±0.13 | WEIGHT | | - |
| 3 PLC | ±0.13 | MATERIAL | | - |
| 4 PLC | ±0.13 | FINISH | | - |
| ANGLES | ±0.13 | CUSTOMER DRAWING | | - |
| SITE CASE CODE DRAWING NO | | | RESTRICTED TO | |
| A200779 | | | ©=2106947 | |
| SCALE 4:1 | | | SHEET 8 OF 9 REV 5 | |

| REVISONS | | DATE | BY | APPROV |
|-------------|-----|------|----|--------|
| P | LYA | | | |
| DESCRIPTION | | | | |
| SEE SHEET 1 | | | | |



LAYOUT FOR MOUNTING
2106947-3 AND 2106947-4
ON A PC BOARD



LAYOUT FOR MOUNTING
2106947-5 AND 2106947-6

**NEW PRODUCT
PRELIMINARY
IN DEVELOPMENT**

| | | | | |
|--|---------------------------------|------------------|-----------|---|
| THIS DRAWING IS A CONTROLLED DOCUMENT. | | OWN R. BROWN | 03JUN2010 | |
| DRAWN BY R. NARANG | | 03JUN2010 | | |
| DIMENSIONS: mm | TO STANDARDS AND SPECIFICATIONS | PRODUCT SPEC | 108-2439 | ASSEMBLY, SOLDERLESS LED SOCKET, SERIAL CKT, TYPE CM |
| | | APPLICATION SPEC | 114-13281 | |
| MATERIAL | FINISH | WEIGHT | A200779 | CASE CODE C-2106947 |
| | | CUSTOMER DRAWING | SCALE 4:1 | SHEET 9 OF 9 REV 5 |