

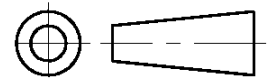
DO NOT SCALE

DIMENSIONS IN mm

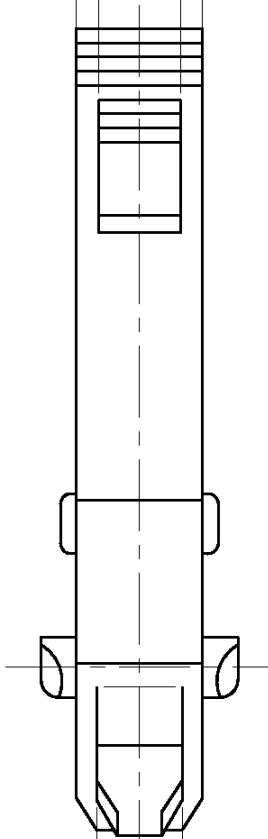
METRIC

THIRD ANGLE

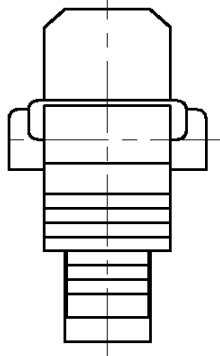
PROJECTION



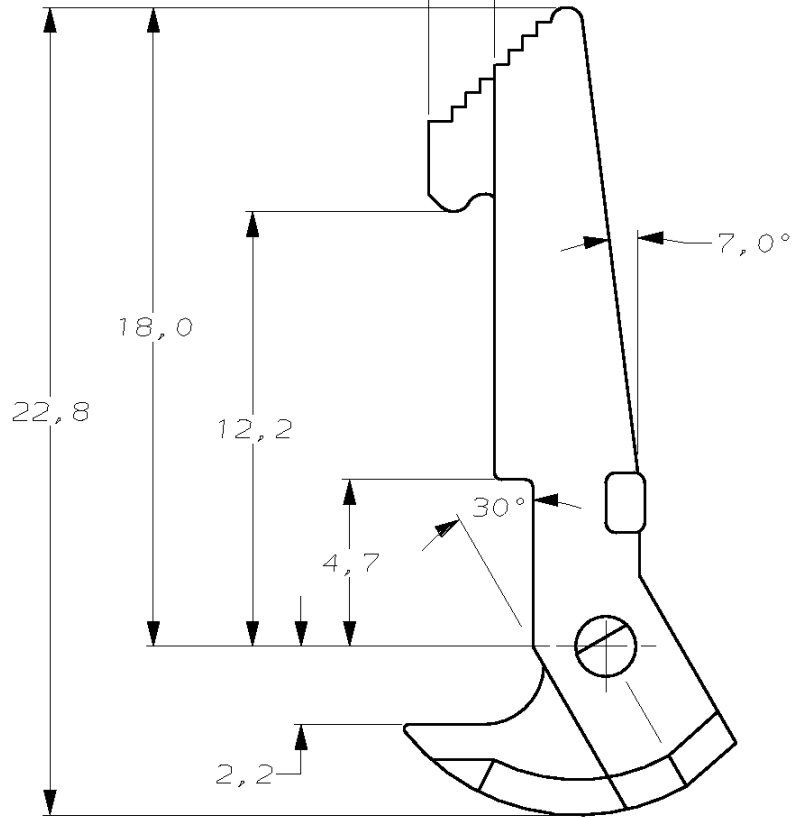
3,5
2,3



2,4



1,9



GREY SIMILARLY RAL 7035	PA 4.6 GF	927215-7
RED SIMILARLY RAL 3000	PA 4.6 GF	927215-6
NATURE	PA6/6T	927215-5
RED	PBT	927215-4
ANTHRACITE	PC	927215-3
GREY	PBT	927215-2
BLACK	PA6.6	927215-1
COLOUR	MATERIAL	PARTNUMBER

—	—	—	—	—
—	—	—	—	—
—	—	—	—	—
—	—	—	—	—
E2	EGD0-1036-04	KHH	MS	15OCT04
E1	DRAWING UPDATED	MAH.	STRE.	16JUN03
E	REDRAWN PER EH-0197-94	WRV	RV	05SEP04
LTR.	REVISION RECORD	DR.	CHK.	DATE

CUSTOMER DRAWING FOR REFERENCE ONLY
WILL NOT BE UPDATED

© COPYRIGHT 19- BY AMP HOLLAND B.V.
ALL INTERNATIONAL RIGHTS RESERVED. AMP PRODUCTS MAY BE
COVERED BY U.S. AND FOREIGN AND/OR PATENTS PENDING.

THIS DRAWING IS UNPUBLISHED
RELEASED FOR PUBLICATION - ,19 -

AMP | AMP HOLLAND B.V.
's-Hertogenbosch,
The Netherlands.

NAME
**EJECTOR / LATCH
FOR AMP-LATCH HEADERS**

DR.: R. VERBEET	CHK.: R. VERSTIJNEN	APP.: L. v. SOEST	DWG. No.	LOC.	SHEET	REV. LTR.
DATE: 5-9'94	DATE: 5-9'94	DATE: -	C-927215	AI A4	1 OF 1	E2