

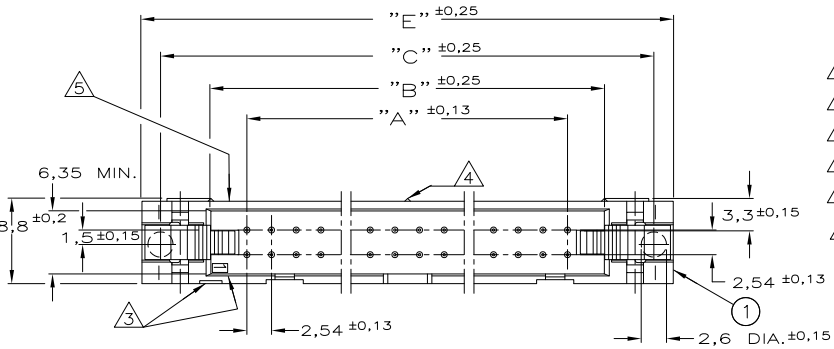
4

3

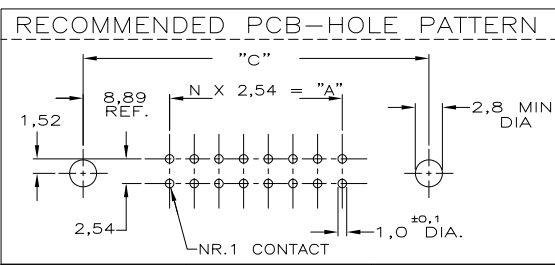
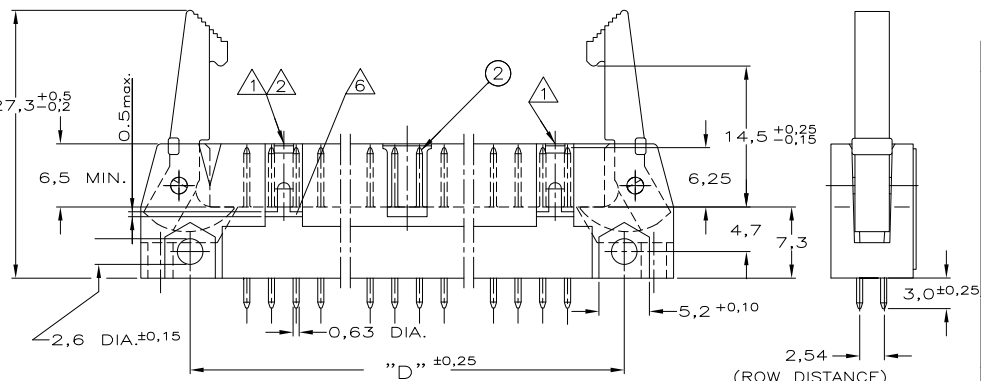
2

1

THIS DRAWING IS UNPUBLISHED.		RELEASED FOR PUBLICATION		METRIC		LOC	DIST	REVISIONS					
© COPYRIGHT - By -		ALL RIGHTS RESERVED.				AI	-	P	LTR	DESCRIPTION	DATE	DWN	APVD
								A4		REVISED PER ECO-11-005150	21MAR11	RK	HMR



- NOTES**
- ① SNAP-IN POLARIZERS PN. 927636-2 OR 927637-2 CAN BE APPLIED.
 - ② THERE IS NO WINDOW FOR SNAP-IN POLARIZERS AT THIS END IN 10 AND 14 POS. HEADERS.
 - ③ INDICATION OF FIRST POSITION.
 - ④ THERE IS NO CENTER STAND-OFF IN 10-26 POS. HEADERS.
 - ⑤ PARTNUMBER AND PROD.-DATE ON SUITABLE SURFACE X-828 588-X DD.MM.YY
 - ⑥ HOLE OVER THE ENTIRE WIDTH OF CODING HOLDER PERMITTED



②	PIN-CONTACT	BRASS	MATING SIDE: 0.8µm AU OR 0.8µm AMP DURAGOLD # / OVER 1.27µm NI SOLDER SIDE: MIN. 3.0µm SN OVER 1.27µm NI
①	HOUSING	GLASSFILLED POLYESTER	GREY
COMPONENT NAME		MATERIAL	PLATING/COLOR

100,6	90,4	96,5	86,4	78,7	64	6-828590-4
95,5	85,3	91,4	81,3	73,7	60	6-828590-0
82,8	72,6	78,7	68,6	61,0	50	5-828590-0
70,1	59,9	66,0	55,9	48,3	40	4-828590-0
62,5	52,3	58,4	48,3	40,6	34	3-828590-4
52,3	42,2	48,3	38,1	30,5	26	2-828590-6
44,7	34,5	40,6	30,5	22,9	20	2-828590-0
39,6	29,5	35,6	25,4	17,8	16	1-828590-6
37,1	26,9	33,0	22,9	15,2	14	1-828590-4
32,0	21,8	27,9	17,8	10,2	10	1-828590-0
DIM."E"	DIM."D"	DIM."C"	DIM."B"	DIM."A"	NR. OF POSITIONS	PARTNUMBER

DIMENSIONS:		TOLERANCES UNLESS OTHERWISE SPECIFIED:	
mm		0 PLC	±
		1 PLC	±
		2 PLC	±
		3 PLC	±
		4 PLC	±
		ANGLES	±
MATERIAL		FINISH	

THIS DRAWING IS A CONTROLLED DOCUMENT.

DWN: J.V.LIEMPT 28-11-93
CHK: R.VERSTIJNEN.
APVD: L.V.SOEST.
PRODUCT SPEC

STE TE Connectivity

AMP-LATCH HEADER 180 DEG. VERSION WITH LATCHES

SIZE: A3 CAGE CODE: 00779 DRAWING NO: C-828590 RESTRICTED TO: -

WEIGHT: -

CUSTOMER DRAWING SCALE: - SHEET: 1 OF 1 REV: A4