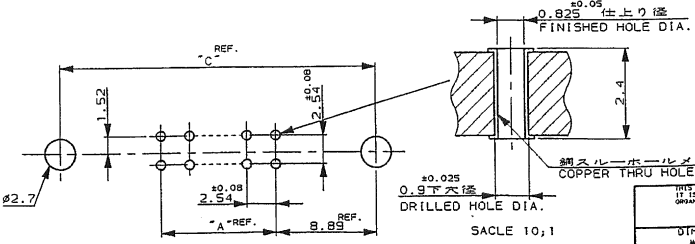
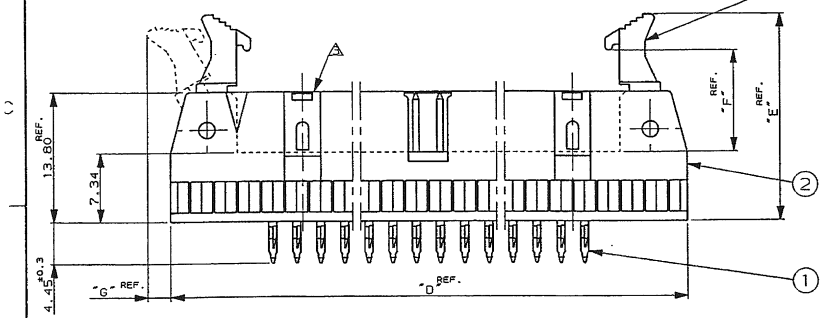
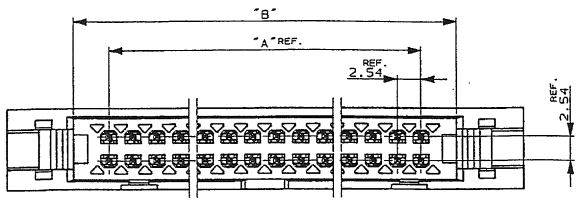


THIS DRAWING IS UNPUBLISHED. RELEASED FOR PUBLICATION .1996
 (C) COPYRIGHT 1996 BY AMP INCORPORATED. ALL RIGHTS RESERVED.

LOC	DISC	REVISIONS				
P	LTR	DESCRIPTION	ECN	DATE	DWN	APVD
J		E REVISED	JFB0-0574-03	06/02/03	T.T.H.M	



推奨基板寸法
 RECOMMENDED
 P.C. BOARD DIMENSION
 SCALE 3:1

FINISH	G	F	E	D	C	B	A	POS.	P/N
△				70.1	66.0	55.9	48.26	20	2-174584-1
△				82.8	78.7	68.6	60.96	50	2-174584-2
△				95.5	91.4	81.3	73.66	60	2-174584-3
△				108.2	104.1	94.0	86.76	70	2-174584-4
△				120.9	116.8	106.7	99.86	80	2-174584-5
△				133.6	129.5	119.4	112.96	90	2-174584-6
△	7.0	14.65	25.84	44.7	40.6	30.5	22.86	20	2-174584-1
△	7.0	14.65	25.84	70.1	66.0	55.9	48.26	40	2-174584-2
△	7.0	14.65	25.84	95.5	91.4	81.3	73.66	60	2-174584-3
△	7.0	14.65	25.84	120.9	116.8	106.7	99.86	80	2-174584-4
△	7.0	14.65	25.84	146.3	142.2	132.1	125.26	100	2-174584-5
△	7.0	14.65	25.84	171.7	167.6	157.5	150.66	120	2-174584-6
△	7.0	14.65	25.84	197.1	193.0	182.9	176.06	140	2-174584-7
△	7.0	14.65	25.84	222.5	218.4	208.3	201.46	160	2-174584-8
△	7.0	14.65	25.84	247.9	243.8	233.7	226.86	180	2-174584-9
△	7.0	14.65	25.84	273.3	269.2	259.1	252.46	200	2-174584-10
△	7.0	14.65	25.84	298.7	294.6	284.5	277.86	220	2-174584-11
△	7.0	14.65	25.84	324.1	320.0	309.9	303.26	240	2-174584-12
△	7.0	14.65	25.84	349.5	345.4	335.3	328.66	260	2-174584-13
△	7.0	14.65	25.84	374.9	370.8	360.7	354.06	280	2-174584-14
△	7.0	14.65	25.84	400.3	396.2	386.1	379.46	300	2-174584-15
△	7.0	14.65	25.84	425.7	421.6	411.5	404.86	320	2-174584-16
△	7.0	14.65	25.84	451.1	447.0	436.9	430.26	340	2-174584-17
△	7.0	14.65	25.84	476.5	472.4	462.3	457.66	360	2-174584-18
△	7.0	14.65	25.84	501.9	497.8	487.7	483.06	380	2-174584-19
△	7.0	14.65	25.84	527.3	523.2	513.1	508.46	400	2-174584-20
△	7.0	14.65	25.84	552.7	548.6	538.5	533.86	420	2-174584-21
△	7.0	14.65	25.84	578.1	574.0	563.9	559.26	440	2-174584-22
△	7.0	14.65	25.84	603.5	599.4	589.3	584.66	460	2-174584-23
△	7.0	14.65	25.84	628.9	624.8	614.7	610.06	480	2-174584-24
△	7.0	14.65	25.84	654.3	650.2	640.1	635.46	500	2-174584-25
△	7.0	14.65	25.84	679.7	675.6	665.5	660.86	520	2-174584-26
△	7.0	14.65	25.84	705.1	701.0	690.9	686.26	540	2-174584-27
△	7.0	14.65	25.84	730.5	726.4	716.3	711.66	560	2-174584-28
△	7.0	14.65	25.84	755.9	751.8	741.7	737.06	580	2-174584-29
△	7.0	14.65	25.84	781.3	777.2	767.1	762.46	600	2-174584-30

注記
 △コンダクト仕上: ニッケル下地メッキの上に接触部0.2µmMIN.の金メッキ
 ACTION 部 1~2.5µm の半田メッキ
 △コンダクト仕上: ニッケル下地メッキの上に接触部0.75µmMIN.の金メッキ
 ACTION 部 1~2.5µm の半田メッキ
 △適用するスタンプインポライザー: P/N927636-1, 927637-1

NOTES
 △FINISH; MATING-EDGE 0.2µm MIN. GOLD, ACTION SIDE 1~2.5µm TIN-LEAD OVER NICKEL.
 △FINISH; MATING-EDGE 0.75µm MIN. GOLD, ACTION SIDE 1~2.5µm TIN-LEAD OVER NICKEL.
 △SNAP-IN POLARIZERS P/N 927636-1 OR 927637-1 CAN BE APPLIED.

材料 / FINISH	銅スルーホールメッキ 25~50µm COPPER THRU HOLE PL.	材料 / MATERIAL	名称 / NAME	番号
仕上 / FINISH	0.825 仕上り径 FINISHED HOLE DIA.	材料 / MATERIAL	名称 / NAME	番号
仕上 / FINISH	0.9 下穴径 DRILLED HOLE DIA.	材料 / MATERIAL	名称 / NAME	番号
仕上 / FINISH	0.025 SACLE 10:1	材料 / MATERIAL	名称 / NAME	番号
仕上 / FINISH	0.025 COPPER THRU HOLE PL.	材料 / MATERIAL	名称 / NAME	番号
仕上 / FINISH	0.025 COPPER THRU HOLE PL.	材料 / MATERIAL	名称 / NAME	番号

THIS DRAWING IS A CONTROLLED DOCUMENT FOR THE INCORPORATED DIVISION. IT IS SUBJECT TO CHANGE AND THE CONTROLLING ENGINEERING ORGANIZATION SHOULD BE CONTACTED FOR THE LATEST REVISION.	DATE	1996/6/19	tyco	Tyco Electronics AMP K.K.
DESIGNED BY	H. AMIKURA	CHK	Electronics	Kawasaki, Japan
APPROVED BY	[Signature]	DATE	AMP-LATCH HDR ASS'Y WITH ACTION PIN	
PRODUCT SPEC	製品仕様	10E-S265	SIZE	A3
APPLICATION SPEC	取付適用規格	114-S169	CAGE CODE	00779
WEIGHT			DRAWING NO	174584
CUSTOMER DRAWING			SCALE	2.5:1
			SHEET	1 OF 1
			REV	E