

4

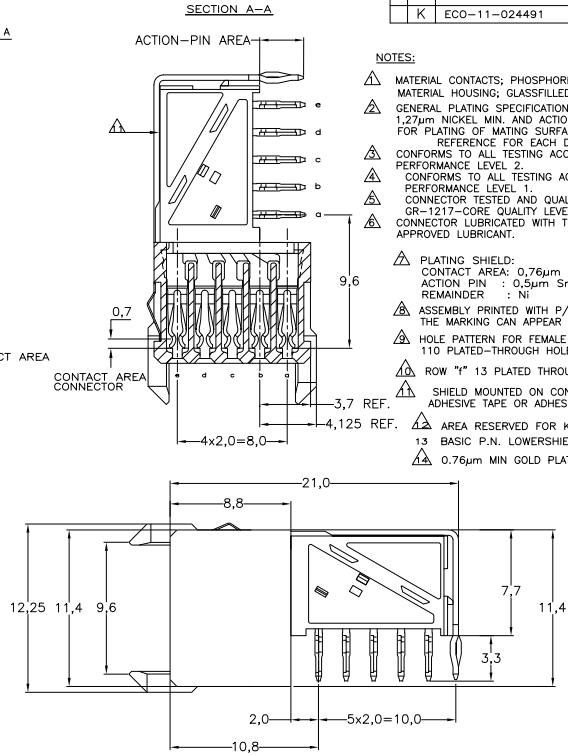
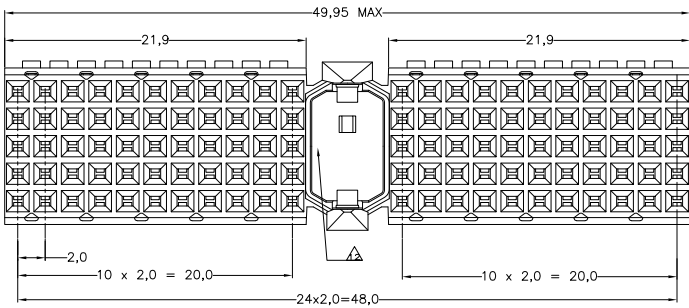
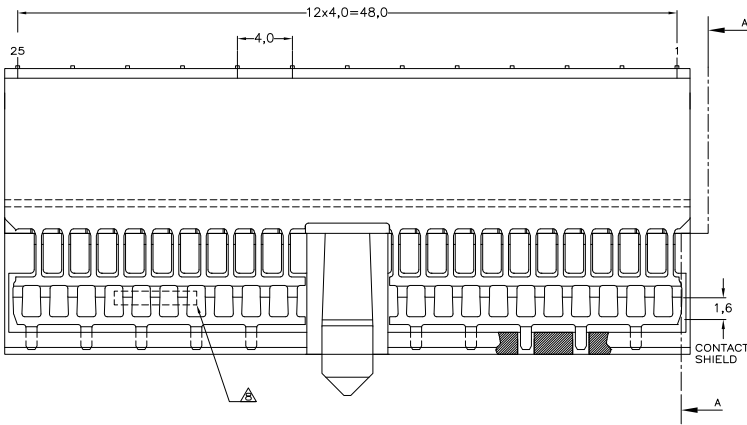
3

2

1

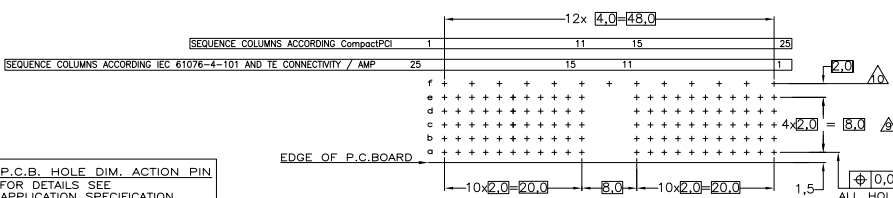
THIS DRAWING IS UNPUBLISHED. RELEASED FOR PUBLICATION. ALL RIGHTS RESERVED.

LOC	DIST	REVISIONS					
H	-	F	LNK	DESCRIPTION	DATE	BY	APPD
		J1		REVISED PER ECO-11-005033	26MAR11	RK	HMR
		K		ECO-11-024491	13DEC11	SY	MQW



- NOTES:
- MATERIAL CONTACTS: PHOSPHORBRONZE
 - MATERIAL HOUSING: GLASSFILLED POLYESTER (GRAY)
 - GENERAL PLATING SPECIFICATION: UNDERPLATING (ENTIRE CONTACT): 1,27µm NICKEL MIN. AND ACTION PIN: 0,5µm TIN-LEAD MIN. FOR PLATING OF MATING SURFACES SEE APPLICABLE SPECIFICATION REFERENCE FOR EACH DASH NUMBER.
 - CONFORMS TO ALL TESTING ACCORDING IEC 61076-4-101 PERFORMANCE LEVEL 2.
 - CONFORMS TO ALL TESTING ACCORDING IEC 61076-4-101 PERFORMANCE LEVEL 1.
 - CONNECTOR TESTED AND QUALIFIED AGAINST TELCORDIA GR-1217-CORE QUALITY LEVEL III, CENTRAL OFFICE APPLICATIONS. CONNECTOR LUBRICATED WITH TELCORDIA GR-1217-CORE APPROVED LUBRICANT.
 - PLATING SHIELD: CONTACT AREA: 0,76µm Au MIN. ACTION PIN : 0,5µm SnPb MIN. REMAINDER : Ni
 - ASSEMBLY PRINTED WITH P/N AND DATECODE. THE MARKING CAN APPEAR ON THE FRONT SIDE OR BACK SIDE.
 - HOLE PATTERN FOR FEMALE CONNECTOR TYPE A 110 PLATED-THROUGH HOLES AT 2x2mm SQUARE GRID
 - ROW "1" 13 PLATED THROUGH HOLES FOR UPERSHIELD
 - SHIELD MOUNTED ON CONNECTOR WITH DOUBLE SIDED ADHESIVE TAPE OR ADHESIVE
 - AREA RESERVED FOR KEYPART (BASIC P.N. 100526) 13 BASIC P.N. LOWERSHIELD: 338108
 - 0,76µm MIN GOLD PLATING AT MATING SURFACES.

COMPONENT SIDE AS SHOWN
RECOMMENDED PCB-HOLE LAY-OUT
SCALE 2,5:1



P.C.B. HOLE DIM. ACTION PIN
FOR DETAILS SEE
APPLICATION SPECIFICATION

FINISH	MATERIAL	PARTNUMBER
△△△△△	△	3-352068-0
△△△△△	△	352068-9
△△△△△	△	352068-4
△△△△△	△	352068-1

THIS DRAWING IS A CONTROLLED DOCUMENT.

DRW D. TRUREN	20JAN07	TE Connectivity	
CHK -	-	Z-PACK 2MM HM	
APP -	-	TYPE A - 25 COLUMNS	
PRODUCT SPEC	108-19082	PRE-SHIELDED RECEPTACLE	
APPLICATION SPEC	114-19029	SIZE	ONE CODE DRAWING NO
WEIGHT	-	A2	00779 C=352068
MATERIAL	FINISH	CUSTOMER DRAWING	RESTRICTED TO
		SCALE	NTS SHEET 1 of 1 REV K