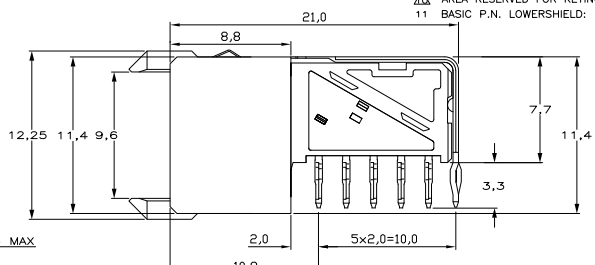
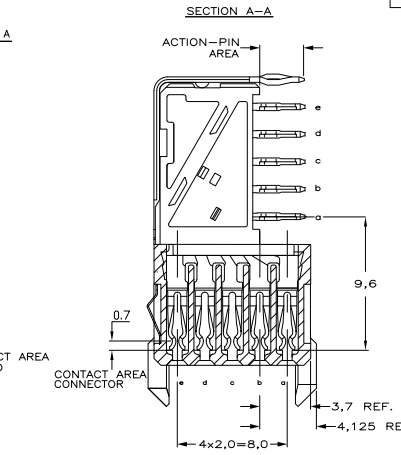
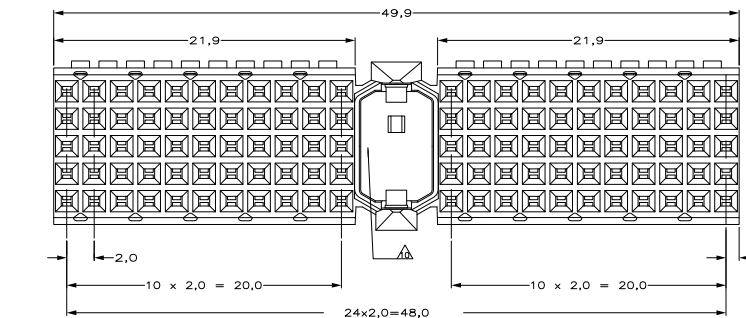
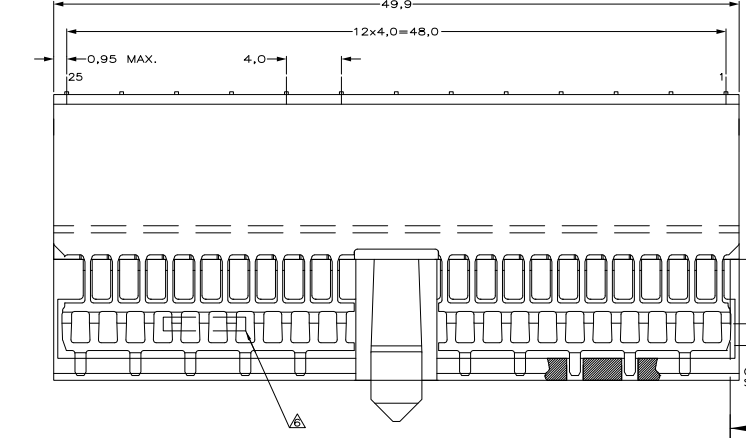


THIS DRAWING IS UNPUBLISHED. RELEASED FOR PUBLICATION
 © COPYRIGHT BY TYCO ELECTRONICS CORPORATION. ALL RIGHTS RESERVED.

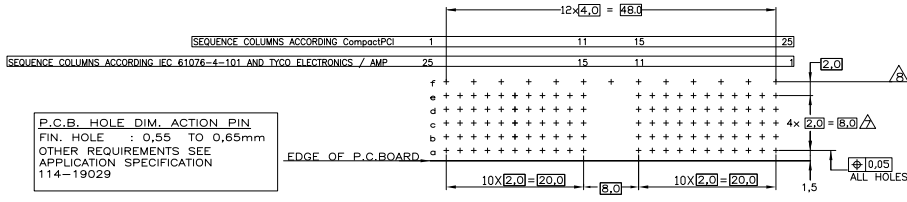


REV	DATE	BY	APP'D
01	19JUN10	KK	HMR

- REVISIONS
- PLATING CONNECTOR:
CONTACT AREA: 0,76μm Au MIN. OVER 1,27μm Ni MIN.
ACTION PIN : 0,5μm SnPb MIN. OVER 1,27μm Ni MIN.
 - PLATING CONNECTOR:
CONTACT AREA: 0,76μm Au MIN. OVER 1,27μm Ni MIN.
ACTION PIN : 0,5μm Sn MIN. OVER 1,27μm Ni MIN.
 - PLATING SHIELD:
CONTACT AREA: 0,76μm Au MIN.
ACTION PIN : 0,5μm SnPb MIN.
REMAINDER : Ni
 - PLATING SHIELD:
CONTACT AREA: 0,76μm Au MIN.
ACTION PIN : 0,5μm Sn MIN.
REMAINDER : Ni
 - MATERIAL CONTACTS; PHOSPHORBRONZE
MATERIAL SHIELD; PHOSPHORBRONZE
MATERIAL HOUSING; GLASSFILLED POLYESTER (GRAY)
 - ASSEMBLY PRINTED WITH P/N AND DATECODE
THE MARKING CAN APPEAR ON THE FRONT SIDE OR BACK SIDE.
 - HOLE PATTERN FOR FEMALE CONNECTOR TYPE A
110 PLATED-THROUGH HOLES AT 2x2mm SQUARE GRID
 - ROW "T" 13 PLATED THROUGH HOLES FOR UPERSHIELD
 - CONNECTOR LUBRICATED WITH BELLCORE
APPROVED LUBRICANT, TECHNICAL REFERENCE
TR-NWT-001217 ISSUE 1, SEPT. 1992.
 - CONNECTOR TESTED AND QUALIFIED ACCORDING BELLCORE
QUALITY LEVEL III, CENTRAL OFFICE APPLICATIONS
AREA RESERVED FOR KEYING PART (BASIC P.N. 100526)
BASIC P.N. LOWERSHIELD: 1746790

OBsolete PARTS: OBSOLETE CIS STREAMLINING PER D.RENAUD/D.SINISI

COMPONENT SIDE AS SHOWN
 RECOMMENDED PIG-HOLE LAY-OUT
 SCALE 2,5:1



P.C.B. HOLE DIM. ACTION PIN
 FIN. HOLE : 0,55 TO 0,65mm
 OTHER REQUIREMENTS SEE
 APPLICATION SPECIFICATION
 114-19029

OBsolete	FINISH	MATERIAL	PART NUMBER
△△△	△	△	1-1746992-9
△△△	△	△	1-1746992-1
△△△	△	△	1746992-9
△△△	△	△	1746992-1

THIS DRAWING IS A CONTROLLED DOCUMENT.

DIM. T. KATANO	10MAY04	Ytyo Electronics AMP K.K.
CHK. T. KIMURA	14MAY04	Kawasaki, Japan
DWG. T. KIMURA	14MAY04	
APPC. K. IKEYAMA	14MAY04	
PRODUCT SPEC. BULK 08-19082		Z-PACK 2mm HM
APPLICATION SPEC. 12-19029		110 POS. FEMALE CONNECTOR TYPE A WITH GROUND RETURN UPPER SHIELD
FINISH: -		RESTRICTED TO
MATERIAL: SEE TABLE		SIZE: A2
FINISH: SEE TABLE		00779
		1746992
		SCALE: 5:1
		SHEET: 1 of 1
		REV: 01

CUSTOMER DRAWING

AMP 1471-9 REV 31MM2000

1746992

A