

4

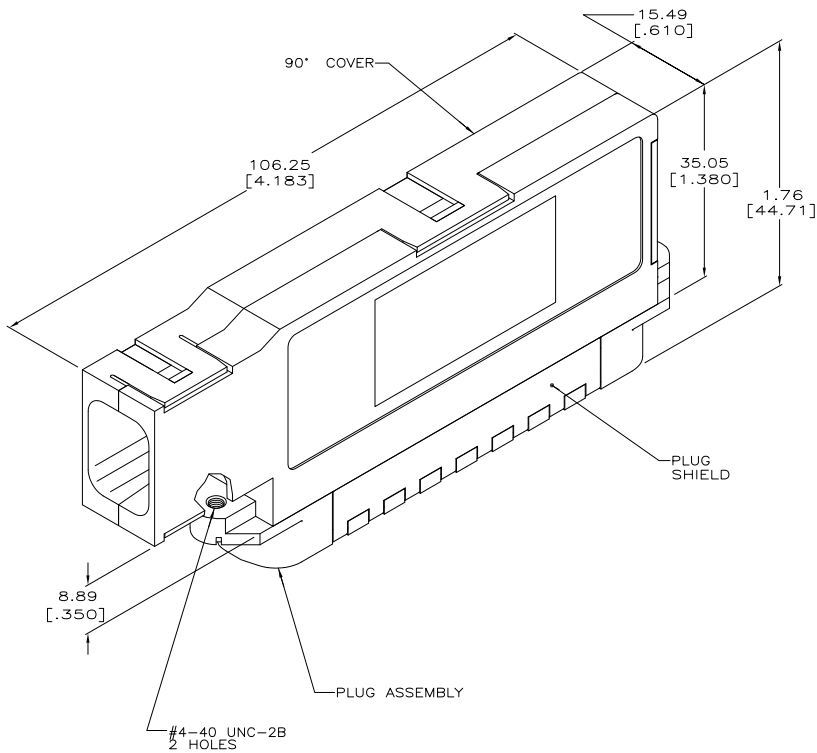
3

2

1

THIS DRAWING IS UNPUBLISHED. RELEASED FOR PUBLICATION.
 © COPYRIGHT BY TYCO ELECTRONICS CORPORATION. ALL RIGHTS RESERVED.

LOC	DIST	REVISIONS				
GP	00	F	LR	DATE	MIN	APD
		D		REVISED PER ECO-08-007327	05SEP08	BM WM



1. THIS DRAWING SHOWN ASSEMBLED, BUT SHIPPED NOT ASSEMBLED.

- ⚠ MATERIAL: HOUSING - POLYPHENYLENE OXIDE, BLACK.
SHIELDS - CARBON STEEL PLATED WITH 5.1µm [.000200] MINIMUM NICKEL.
COVERS - ABS MOLDING COMPOUND, PLATED WITH 0.51µm [.000020] MINIMUM ELECTROLYTIC NICKEL OVER 5.1µm [.000200] MINIMUM ELECTROLYTIC COPPER OVER 0.25µm [.000010] MINIMUM ELECTROLESS NICKEL.
TERMINAL - PHOSPHOROUS BRONZE PLATED WITH 0.76µm [.000030] MIN GOLD OR GOLD FLASH OVER PALLADIUM NICKEL PLATE, 0.76µm [.000030] MIN TOTAL ON MATING SURFACE. 1.27µm [.000050] MIN NICKEL UNDERPLATE OVER ENTIRE TERMINAL.
- ⚠ WIRE SIZE: 24-26 AWG SOLID OR 24 AWG 7-STRANDED COPPER CONDUCTORS. INSULATION DIAMETER OF 0.73-1.15 [.029-.045] IS ACCEPTABLE FOR MOST APPLICATIONS.
- ⚠ ALL DIMENSIONS SHOWN ARE MAXIMUM UNLESS OTHERWISE SPECIFIED.
- ⚠ CABLE RANGE: 11.43-13.97 [.450-.550] OUTSIDE DIAMETER.
- ⚠ CABLE RANGE: 13.97-17.78 [.550-.700] OUTSIDE DIAMETER.
- ⚠ WIRE SIZE: 22 AWG SOLID OR 7-STRANDED COPPER CONDUCTORS. INSULATION DIAMETER OF 1.14-1.22 [.045-.056] IS ACCEPTABLE FOR MOST APPLICATIONS.

OBSOLETE	BROWN	F	⚠	⚠	5406049-2
	BLUE	B	⚠	⚠	5406049-1
	DOT COLOR				PART NUMBER

THIS DRAWING IS A CONTROLLED DOCUMENT.		DM S. MCMASTER 070E005	Tyco Electronics Corporation Harrisburg, PA 17105-3608	
DIMENSIONS: mm [INCHES]		CM W. MILLIMETERS 070E005	NAME PLUG ASSEMBLY, 64 POSITION, SHIELDED, CHAMP	
TOLERANCES UNLESS OTHERWISE SPECIFIED:		APD W. MILLIMETERS 070E005	PRODUCT SPEC	
0 PLC	± .	APPLICATION SPEC		
1 PLC	± .	SIZE CASE CODE DRAWING NO		
2 PLC	± .	RESTRICTED TO		
3 PLC	± .	WEIGHT		
4 PLC	± .	CUSTOMER DRAWING		
ANGLES	± .	SCALE 2:1 SHEET 1 of 1 REV D		
FINISH	± .			

AMP 1471-9 REV 31MMR2000

5406049