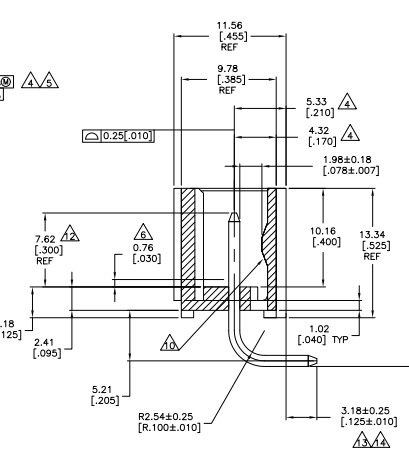
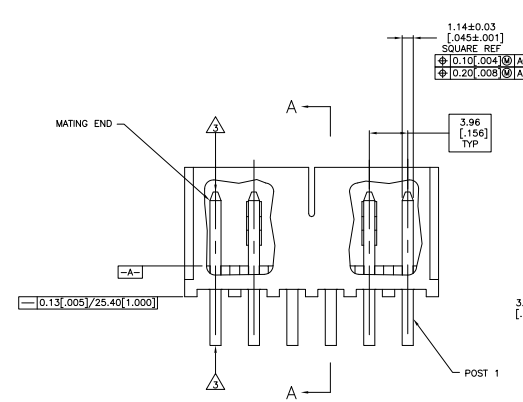
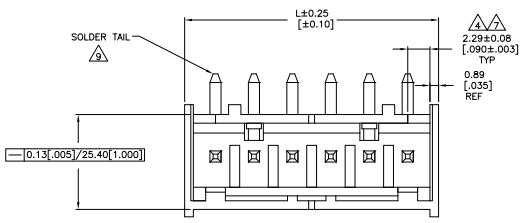
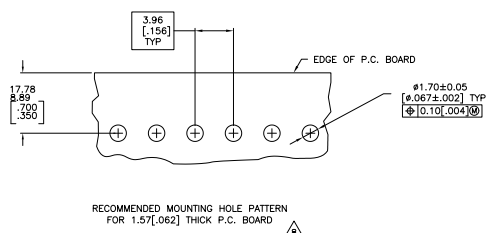
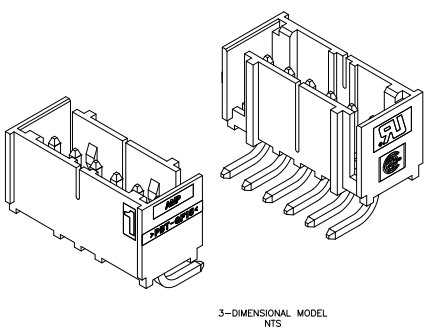


THIS DRAWING IS UNAPPROVED
 ALL RIGHTS RESERVED

| REV | DATE | DESCRIPTION | BY | CHK |
|-----|------|---------------------------|---------|-------|
| 0 | | | | |
| E | | REVISED PER EDD-11-016326 | 180CT11 | KH SM |



- △ MATERIAL: HOUSING - THERMOPLASTIC POLYESTER, GLASS FILLED, UL94-0. POST - COPPER ALLOY
- △ FINISH: HOUSING - BLACK POST - SEE NOTES 12, 13 AND 14 FOR PLATING.
- △ POST TO WITHSTAND 3LBS (16N) MIN AXIAL FORCE IN THIS DIRECTION WITHOUT DISLODGING.
- △ APPLIES AT
- △ APPLIES WHEN HEADER IS STRAIGHT.
- △ PLASTIC PROJECTIONS PERMITTED IN THIS ZONE.
- △ COORDINATE DIMENSIONS APPLIES FROM CENTER OF ACTUAL FEATURE.
- △ SOLDER SIDE OF BOARD IS SHOWN.
- △ POST SOLDER TAIL MUST COMPLY WITH AMP SOLDERABILITY SPEC 109-11-2.
- △ LATCH DETENT FEATURE APPEARS 1 PLACE ON EACH END OF PART (MAX OF 2 PER PART) ON ALL POSITIONS 4 THRU 12. THE LATCH APPEARS ONLY ONE PLACE ON 2 & 3 POSITION PARTS.
- △ DIMENSIONS IN BRACKETS ARE IN INCHES.
- △ PLATING: GOLD PLATE AREA, 0.00076 [0.00030] GOLD OR 0.00008 [0.00003] MIN GOLD FLASH OVER 0.00068 [0.00027] PALLADIUM NICKEL, PER TE CONNECTIVITY'S DISCRETION, ALL SIDES, OVER NICKEL UNDERPLATE, .00127 [0.00050] MIN, ALL SIDES AND ENTIRE LENGTH OF POST.
- △ BRIGHT TIN LEAD (93/7) PLATE AREA 0.00381 - 0.0089 [0.00150 - 0.000350] ALL FOUR SIDES, 3.18 [0.125] MIN.
- △ MATTE TIN PLATE AREA 0.00381 - 0.0089 [0.00150 - 0.000350] ALL FOUR SIDES, 3.18 [0.125] MIN.
- △ OBSOLETE PARTS: OBSOLETE OIS STREAMLINING PER D.RENAUD/D.SINISI



SECTION A-A

| PLATING | MM | IN | NO OF POSN | PART NUMBER |
|---------|-------|-------|------------|-------------|
| | 49.94 | 1.966 | 12 | 3-647134-2 |
| | 45.97 | 1.810 | 11 | 3-647134-1 |
| | 42.01 | 1.654 | 10 | 3-647134-0 |
| | 38.05 | 1.498 | 9 | 2-647134-9 |
| | 34.09 | 1.342 | 8 | 2-647134-8 |
| | 30.12 | 1.186 | 7 | 2-647134-7 |
| | 26.16 | 1.030 | 6 | 2-647134-6 |
| | 22.20 | .874 | 5 | 2-647134-5 |
| | 18.24 | .718 | 4 | 2-647134-4 |
| | 14.27 | .562 | 3 | 2-647134-3 |
| | 10.31 | .406 | 2 | 2-647134-2 |
| | 49.94 | 1.966 | 12 | 1-647134-2 |
| | 45.97 | 1.810 | 11 | 1-647134-1 |
| | 42.01 | 1.654 | 10 | 1-647134-0 |
| | 38.05 | 1.498 | 9 | 647134-9 |
| | 34.09 | 1.342 | 8 | 647134-8 |
| | 30.12 | 1.186 | 7 | 647134-7 |
| | 26.16 | 1.030 | 6 | 647134-6 |
| | 22.20 | .874 | 5 | 647134-5 |
| | 18.24 | .718 | 4 | 647134-4 |
| | 14.27 | .562 | 3 | 647134-3 |
| | 10.31 | .406 | 2 | 647134-2 |

| THIS DRAWING IS A CONTROLLED DOCUMENT. | | REV | DATE | DESCRIPTION | BY | CHK |
|--|----|-----|------|-------------|----|-----|
| INCHES | MM | | | | | |
| UNLESS OTHERWISE SPECIFIED | | | | | | |
| FINISH | | | | | | |
| PLATING | | | | | | |
| POST | | | | | | |
| CUSTOMER DRAWING | | | | | | |

