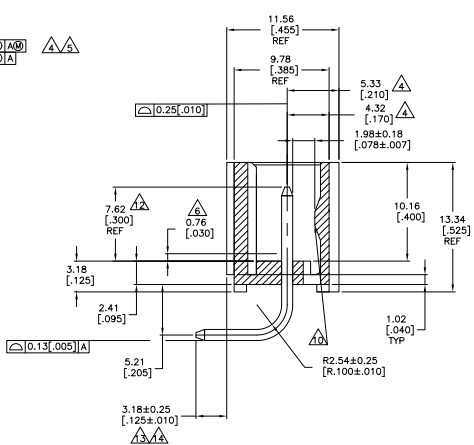
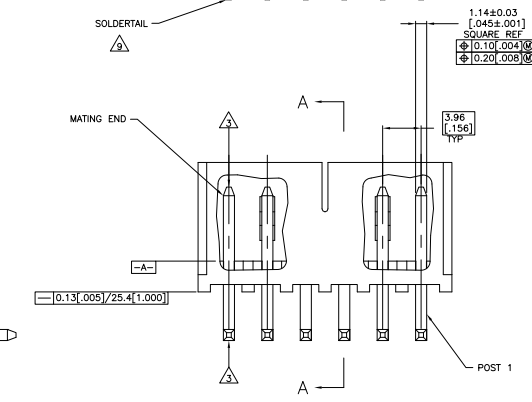
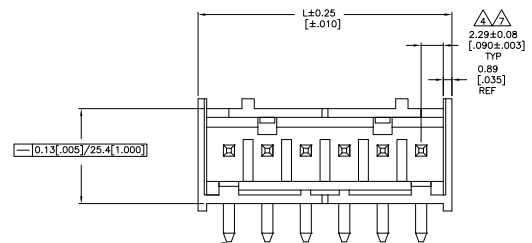
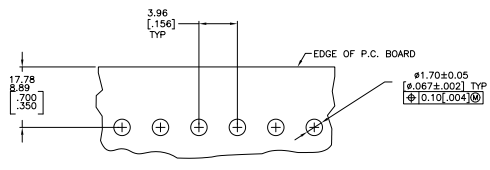
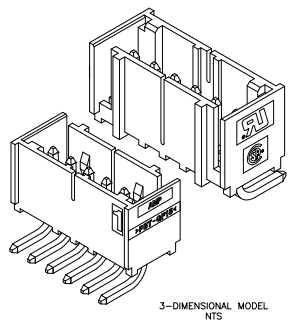
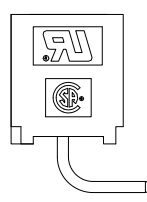


THIS DRAWING IS UNPUBLISHED  
 ALL RIGHTS RESERVED

REV	DATE	DESCRIPTION	BY	CHK	APP
CM	0				
E		REVISED PER EDD-11-016326	180CT11	KH	SM



- ▲ MATERIAL: HOUSING - THERMOPLASTIC POLYESTER, GLASS FILLED, UL94-0. POST - COPPER ALLOY
- ▲ FINISH: HOUSING - BLACK POST - SEE NOTES 12, 13 AND 14 FOR PLATING.
- ▲ POST TO WITHSTAND 3LBS (16N) MIN AXIAL FORCE IN THIS DIRECTION WITHOUT DISLODGING.
- ▲ APPLIES AT -A-
- ▲ APPLIES WHEN HEADER IS STRAIGHT.
- ▲ PLASTIC PROJECTIONS PERMITTED IN THIS ZONE.
- ▲ COORDINATE DIMENSIONS APPLIES FROM CENTER OF ACTUAL FEATURE.
- ▲ SOLDER SIDE OF BOARD IS SHOWN.
- ▲ POST SOLDERTAIL MUST COMPLY WITH AMP SOLDERABILITY SPEC 109-11-2.
- ▲ LATCH DETENT FEATURE APPEARS 1 PLACE ON EACH END OF PART (MAX OF 2 PER PART) ON ALL POSITIONS 4 THRU 12. THE LATCH APPEARS ONLY ONE PLACE ON 2 & 3 POSITION PARTS.
- ▲ DIMENSIONS IN BRACKETS ARE IN INCHES.
- ▲ PLATING: GOLD PLATE AREA, 0.00076 [0.00030] GOLD OR 0.00008 [0.00003] MIN GOLD FLASH OVER 0.0068 [0.00027] PALLADIUM NICKEL, PER TE CONNECTIVITY'S DISCRETION, ALL SIDES, OVER NICKEL UNDERPLATE, 0.00127 [0.00050] MIN, ALL SIDES AND ENTIRE LENGTH OF POST.
- ▲ BRIGHT TIN LEAD (93/7) PLATE AREA 0.00381 - 0.0089 [0.00150 - 0.000350] ALL FOUR SIDES, 3.18 [0.125] MIN.
- ▲ MATTE TIN PLATE AREA 0.00381 - 0.0089 [0.00150 - 0.000350] ALL FOUR SIDES, 3.18 [0.125] MIN.
- ▲ OBSOLETE PARTS: OBSOLETE CIS STREAMLINING PER D.RENAUD/D.SINISI



PLATING	MM	IN	NO OF POSN	PART NUMBER
▲▲▲	49.94	1.966	12	3-647133-2
▲▲▲	45.97	1.810	11	3-647133-1
▲▲▲	42.01	1.654	10	3-647133-0
▲▲▲	38.05	1.498	9	2-647133-9
▲▲▲	34.09	1.342	8	2-647133-8
▲▲▲	30.12	1.186	7	2-647133-7
▲▲▲	26.16	1.030	6	2-647133-6
▲▲▲	22.20	.874	5	2-647133-5
▲▲▲	18.24	.718	4	2-647133-4
▲▲▲	14.27	.562	3	2-647133-3
▲▲▲	10.31	.406	2	2-647133-2
▲▲▲	49.94	1.966	12	1-647133-2
▲▲▲	45.97	1.810	11	1-647133-1
▲▲▲	42.01	1.654	10	1-647133-0
▲▲▲	38.05	1.498	9	647133-9
▲▲▲	34.09	1.342	8	647133-8
▲▲▲	30.12	1.186	7	647133-7
▲▲▲	26.16	1.030	6	647133-6
▲▲▲	22.20	.874	5	647133-5
▲▲▲	18.24	.718	4	647133-4
▲▲▲	14.27	.562	3	647133-3
▲▲▲	10.31	.406	2	647133-2

THIS DRAWING IS A CONTROLLED DOCUMENT.		REV	DATE	DESCRIPTION	BY	CHK	APP
INCHES	METRIC						
DATE	REV	DATE	DESCRIPTION	BY	CHK	APP	
CUSTOMER DRAWING							