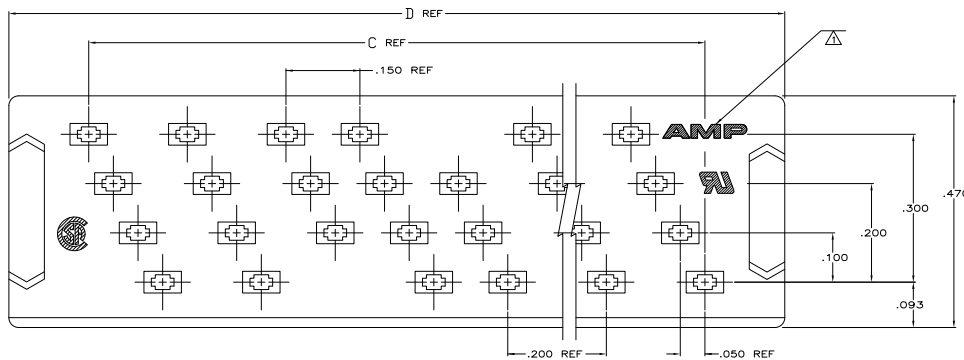
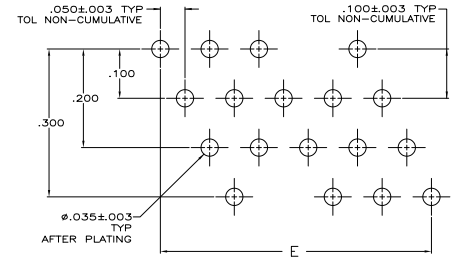


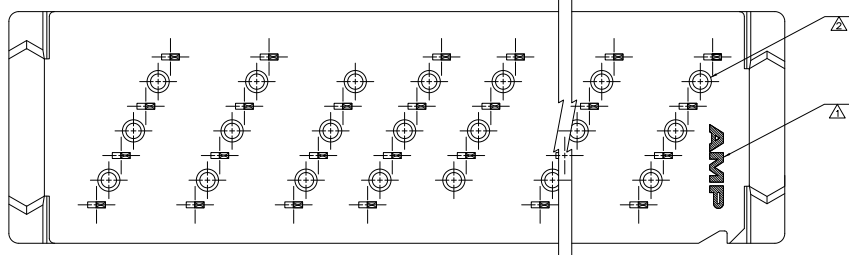
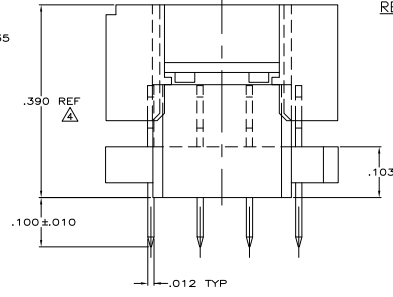
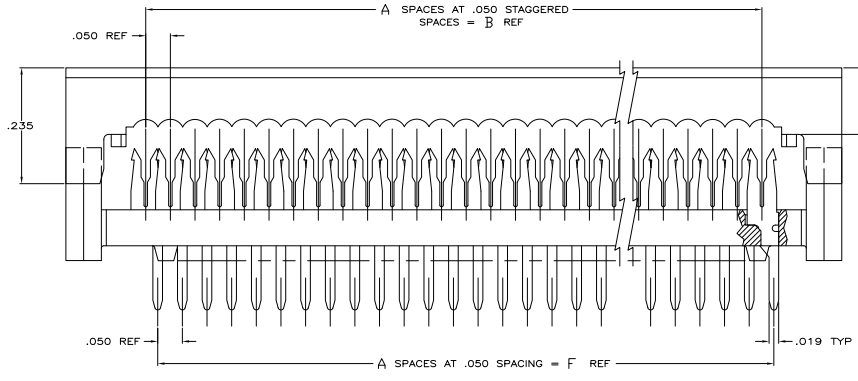
REV	DATE	DESCRIPTION	BY	APP
1				
2				
3				
4				
5				
6				
7				
8				



- △ AMP TRADEMARK LOCATED IN APPROX AREA SHOWN.
- △ STANDOFFS: POSN 10 (9) STANDOFFS AS SHOWN.
 POSN 26 (21) STANDOFFS, 3 PER DIAGONAL ROW.
 POSN 34 (27) STANDOFFS, 3 PER DIAGONAL ROW.
 POSN 50 (39) STANDOFFS, 3 PER DIAGONAL ROW.
- △ FINISH: BRIGHT TIN-LEAD .000100-.000200 THK OVER NICKEL .000050 MIN THK.
- △ HEIGHT AFTER TERMINATION IS .238 REF.
- △ FINISH: BRIGHT TIN .000100-.000200 THK OVER NICKEL .000050 MIN THK.



RECOMMENDED HOLE LAYOUT



FINISH	F	E	D	C	B	A	NO OF POSN	PART NUMBER
△	2.450	2.450	2.774	2.450	2.450	49	50	5-111039-4
△	1.650	1.650	1.974	1.650	1.650	33	34	5-111039-3
△	1.250	1.250	1.574	1.250	1.250	25	26	5-111039-2
△	.450	.450	.774	.450	.450	9	10	5-111039-1
△	2.450	2.450	2.774	2.450	2.450	49	50	111039-4
△	1.650	1.650	1.974	1.650	1.650	33	34	111039-3
△	1.250	1.250	1.574	1.250	1.250	25	26	111039-2
△	.450	.450	.774	.450	.450	9	10	111039-1

THIS DRAWING IS A CONTROLLED DOCUMENT. DATE: 05-08-83

DESIGNED BY: J. REAGNEY
 DRAWN BY: J. SOULLY
 CHECKED BY: J. SOULLY
 APPROVED BY: J. SOULLY

DATE: 05-08-83

DESCRIPTION: KIT, AMP-LATCH PADDLEBOARD
 PREASSEMBLED .100 LONG POSTS
 SPC. CTRS. FULL TIN PLATED CONTACTS

REV: 1
 DATE: 11-4-0005
 DRAWING NO: 114-40005
 PART NUMBER: 111039

CUSTOMER DRAWING