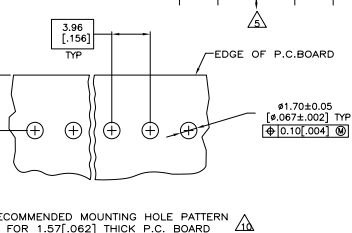
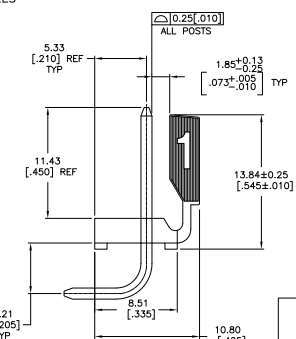
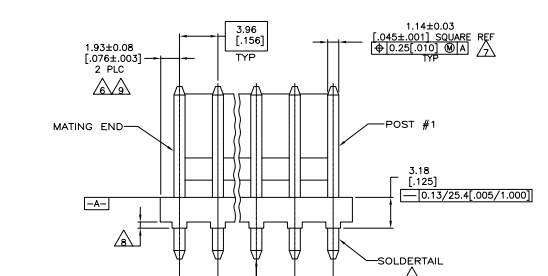
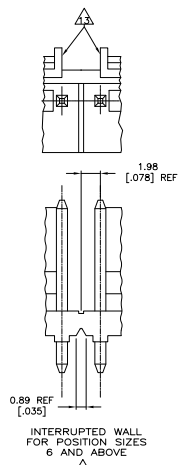
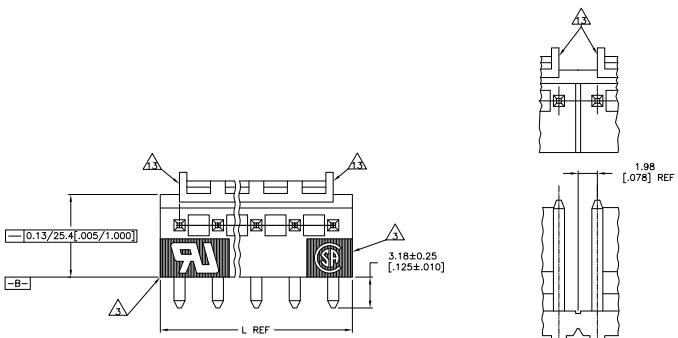


REV	DATE	DESCRIPTION	BY	APP
00				
E2	REV PER EDD 11-01338		26M11	JR SM



- △ MATERIAL HOUSING: THERMOPLASTIC POLYESTER, GLASS FILLED, UL94V-0.
POST: COPPER ALLOY
- △ FINISH HOUSING: NATURAL
POST: BRIGHT TIN-LEAD (93/7) PLATE, 0.00380-0.00880 (0.00150-0.000350) THK OVER NICKEL UNDERPLATE, 0.00130 (0.000050) MIN THK.
- △ UL MARKING MAY NOT APPEAR ON THE 2 OR 3 POSITION SIZES. CSA MARKING MAY NOT APPEAR ON THE 2 POSITION SIZE.
- △ POST SOLDERTAILS COMPLY WITH AMP SOLDERABILITY SPEC 109-11-2.
- △ POST WITHSTANDS 13.34N [3 LB] MIN AXIAL FORCE IN EITHER DIRECTION WITHOUT DISLODGING.
- △ APPLIES AT □
- △ APPLIES WHEN THE HEADER IS STRAIGHT.
- △ PLASTIC PROJECTIONS PERMITTED IN THIS ZONE.
- △ COORDINATE DIMENSIONS APPLIES FROM THE CENTER OF THE ACTUAL FEATURE.
- △ SOLDER SIDE OF BOARD IS SHOWN.
- 1.1. DIMENSIONS IN BRACKETS ARE IN INCHES.
- △ ALL POSITION SIZES HAVE THE BACKWALL NOTCHED ON BOTH ENDS AS SHOWN. THE 2 THRU 5 POSITION SIZES HAVE SOLID BACKWALLS. POSITION SIZES 6 AND ABOVE HAVE AN INTERRUPTED BACKWALL AT VARIOUS LOCATIONS (SEE TABLE FOR INTERRUPTION(S) LOCATIONS).
- △ EDGE OF POLARIZING LOCK WALL TO BE IN LINE WITH CENTERLINE OF ADJACENT POST WITHIN ±0.13 [0.05]
- △ FINISH HOUSING: NATURAL
POST: MATTE TIN PLATE 0.000150 MIN THICK OVER NICKEL.
- △ OBSOLETE PARTS: OBSOLETE CIS STREAMLINING PER D.RENAUD/D.SINISI

FINISH	BACKWALL INTERRUPTION(S) BETWEEN POST	L	NO. OF POSITIONS	PART NO
△	4&5, 7&8, 11&12, 14&15	71.20 [2.803]	18	4-644613-8
△	4&5, 7&8, 10&11, 13&14	67.23 [2.647]	17	4-644613-7
△	4&5, 8&9, 12&13	63.27 [2.491]	16	4-644613-6
△	4&5, 8&9, 11&12	59.31 [2.335]	15	4-644613-5
△	4&5 7&8, 10&11	55.35 [2.179]	14	4-644613-4
△	4&5 7&8, 10&11	51.38 [2.023]	13	4-644613-3
△	4&5, 8&9	47.42 [1.867]	12	4-644613-2
△	4&5, 7&8	43.46 [1.711]	11	4-644613-1
△	3&4, 7&8	39.50 [1.555]	10	4-644613-0
△	3&4, 6&7	35.53 [1.399]	9	3-644613-9
△	4&5	31.57 [1.243]	8	3-644613-8
△	4&5	27.61 [1.087]	7	3-644613-7
△	3&4	23.65 [0.931]	6	3-644613-6
△	NONE	19.69 [.775]	5	3-644613-5
△	NONE	15.72 [.619]	4	3-644613-4
△	NONE	11.76 [.463]	3	3-644613-3
△	NONE	7.80 [.307]	2	3-644613-2
△	4&5, 7&8, 11&12, 14&15	71.20 [2.803]	18	1-644613-8
△	4&5, 8&9, 12&13	67.23 [2.647]	17	1-644613-7
△	4&5, 8&9, 11&12	63.27 [2.491]	16	1-644613-6
△	4&5, 8&9, 10&11	59.31 [2.335]	15	1-644613-5
△	4&5 7&8, 10&11	55.35 [2.179]	14	1-644613-4
△	4&5 7&8, 10&11	51.38 [2.023]	13	1-644613-3
△	4&5, 8&9	47.42 [1.867]	12	1-644613-2
△	4&5, 7&8	43.46 [1.711]	11	1-644613-1
△	3&4, 7&8	39.50 [1.555]	10	1-644613-0
△	3&4, 6&7	35.53 [1.399]	9	644613-9
△	4&5	31.57 [1.243]	8	644613-8
△	4&5	27.61 [1.087]	7	644613-7
△	3&4	23.65 [0.931]	6	644613-6
△	3&4, 6&7	19.69 [.775]	5	644613-5
△	NONE	15.72 [.619]	4	644613-4
△	NONE	11.76 [.463]	3	644613-3
△	NONE	7.80 [.307]	2	644613-2

△ SUPERSEDED
 △ SUPERSEDED
 △ SUPERSEDED
 △ SUPERSEDED



THIS DRAWING IS A CONTROLLED DOCUMENT.

DATE: 11-01-93
 REV: 11-01-93

TE Connectivity

MTA-156 HEADER ASSEMBLY, POLARIZED LOCK, RIGHT ANGLE FRONT BEND, 0.045 SQUARE POST, TIN-LEAD PLATED, WITHOUT RETENTION FEES

SIZE: A1 00779 (G=644613)

CUSTOMER DRAWING