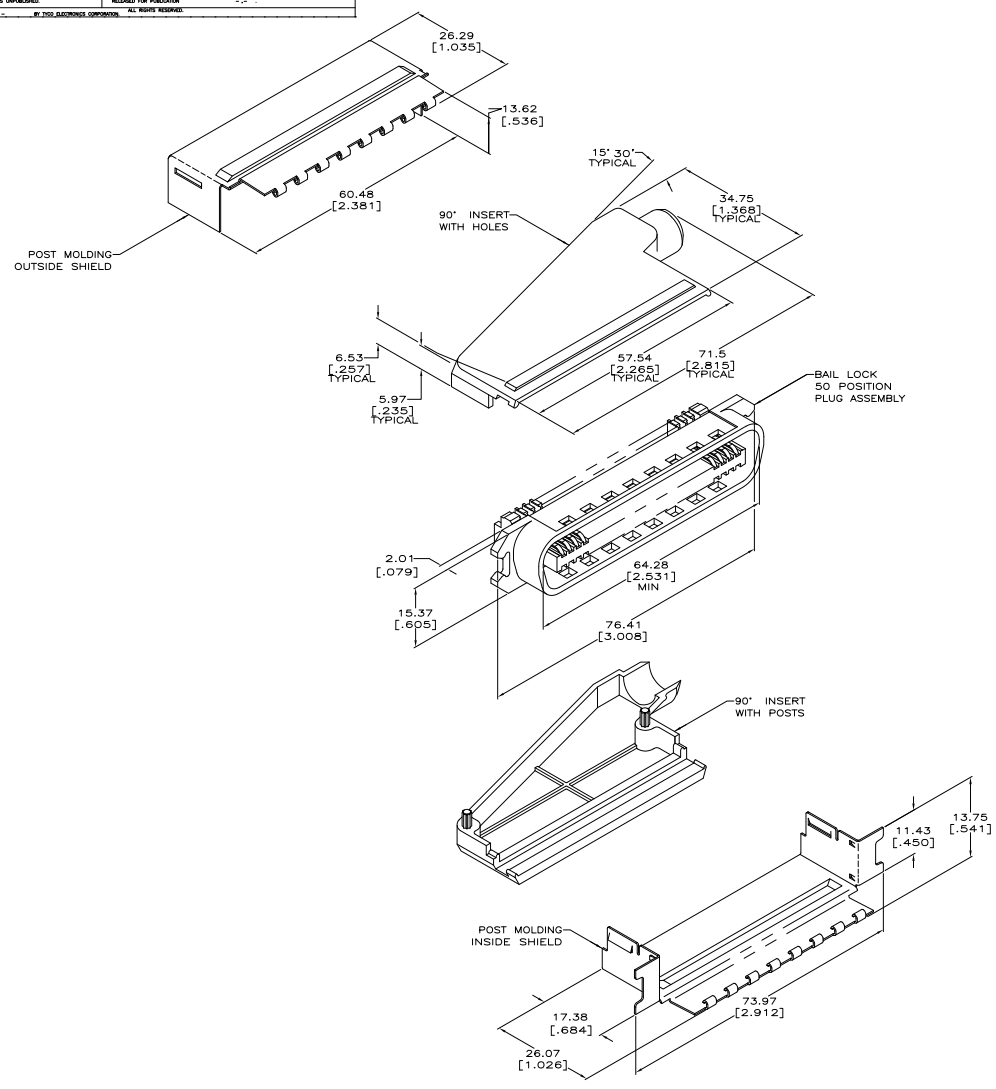


REV	DATE	DESCRIPTION	BY	APP
00				
M		REVISED FOR ECO-08-007327		



- THIS KIT SHIPPED NOT ASSEMBLED.
- MATERIAL: INSERT - ABS MOLDING COMPOUND.
 - PLUG HOUSING - POLYPHENYLENE OXIDE, SEE TABLE FOR COLOR.
 - TERMINAL - HIGH STRENGTH COPPER ALLOY PLATED WITH 0.76µm [0.00030] MIN GOLD OR GOLD FLASH OVER PALLADIUM NICKEL PLATE, 0.76µm [0.00030] MIN TOTAL ON MATING SURFACE. 1.27µm [0.00050] MIN NICKEL UNDERPLATE OVER ENTIRE TERMINAL.
 - SHIELDS - BRIGHT NICKEL PLATED CARBON STEEL.
- WIRE SIZE: 24 OR 26 AWG SOLID OR 24 AWG 7 STRANDED COPPER CONDUCTORS. MAXIMUM INSULATION DIAMETER OF 1.14[.045] IS ACCEPTABLE FOR MOST APPLICATIONS.
- CENTER-TO-CENTER SPACING OF TERMINALS IS 2.16 [.085] NOMINAL.
- BULK PACKAGED 500 KITS PER CONTAINER.
- DIMENSIONS ARE MAXIMUM UNLESS OTHERWISE SPECIFIED.
- WIRE SIZE: 26, 27 OR 28 AWG 7 STRANDED COPPER CONDUCTORS. MAXIMUM INSULATION DIAMETER OF 1.14[.045] IS ACCEPTABLE FOR MOST APPLICATIONS.

OBSELETE	BLACK	E	△	△	△	5-555012-3
	GRAY	B	△	△	△	5-555012-2
			△	△	△	5-555012-1

THIS DRAWING IS A CONTROLLED DOCUMENT.		TSS ELECTRONICS CORPORATION	
INCHES	MM (INCHES)	DATE	REV
1/16	1.588	03-11-08	1
1/8	3.175		
3/16	4.763		
1/4	6.350		
5/16	7.938		
3/8	9.525		
7/16	11.113		
1/2	12.700		
5/8	15.875		
3/4	19.050		
7/8	22.225		
1	25.400		

DESCRIPTION	DATE	BY	APP
PLUG KIT, 50 POSITION, POST MOLDING, SHIELDED, 90 DEGREE, BAIL LOCK, CHAMP	00779		
CUSTOMER DRAWING			