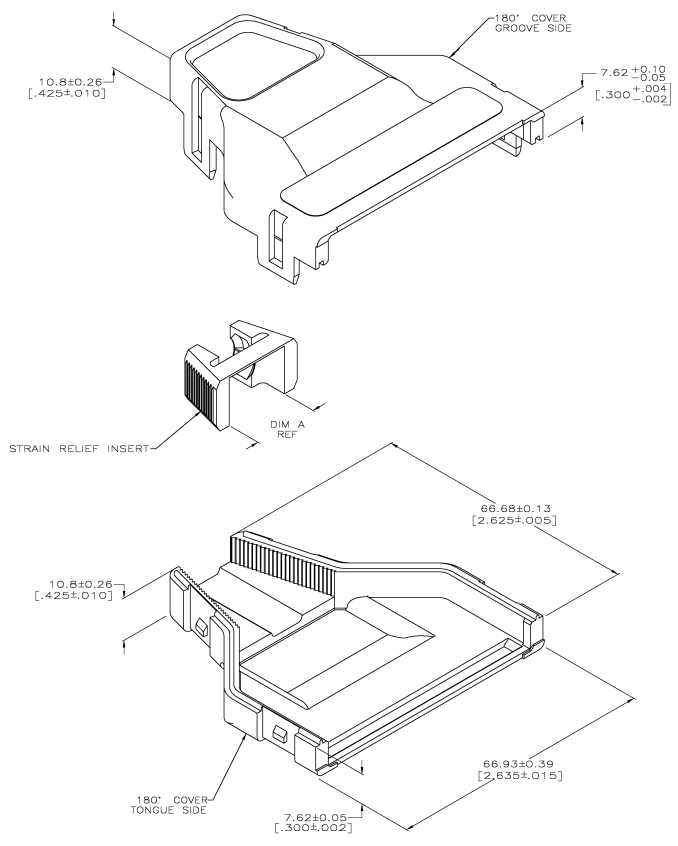


8	7	6	5	4	3	2	1
REV. SYMBOL OR DESCRIPTION	RELEASED FOR PRODUCTION						
01	01						
01	01						

REV. NO.	DATE	DESCRIPTION	BY	CHK	APP
01		REVISED PER EL 0511-0016-03	MSB/PS	JC	JC
01		REVISED PER ECO-09-021826	DELANO	JK	REC



- THIS KIT SHIPPED NOT ASSEMBLED.
- ⚠ MATERIAL: COVERS- POLYPHENYLENE OXIDE, SEE TABLE FOR COLOR.
STRAIN RELIEF - POLYPROPYLENE, BLACK.
 - ⚠ CABLE DIAMETER LESS THAN 12.7 [0.500] SHALL USE 16.26 [0.64] STRAIN RELIEF; CABLE DIAMETER GREATER THAN 12.7 [0.500] SHALL USE 18.54 [0.73] STRAIN RELIEF.
 - ⚠ PACKAGED 1 KIT PER POLYBAG.
 - ⚠ BULK PACKAGED 500 KITS PER CONTAINER.
 - ⚠ OBSOLETE PARTS: OBSOLETE CIS STREAMLINING PER D.RENAUD/D.SINISI

⚠ OBSOLETE	COMPAD-GRAY	⚠	18.67 [0.735]	8.89-15.88 [0.350-0.625]	5-554946-3
	BLACK	⚠	16.13 [0.635]	6.35-12.7 [0.250-0.500]	5-554946-1
	BLACK	⚠	18.67 [0.735]	8.89-15.88 [0.350-0.625]	554946-2
	BLACK	⚠	16.13 [0.635]	6.35-12.7 [0.250-0.500]	554946-1
	COLOR	⚠	PACKAGED	DIM. A	CABLE RANGE DIA
					PART NUMBER
BY J. SMITH DATE 4-24-03 AMP INCORPORATED HARTFORD, PA 17105-3608		COVER KIT, 180 DEGREE, 50 POSITION, SHIELDED, CHAMP			
DRAWINGS DIM (INCH) DIM (MM) DIM (INCH) DIM (MM)		SYMBOLS DIM (INCH) DIM (MM)		SIZE DIM (INCH) DIM (MM)	
PARTIAL DIM (INCH) DIM (MM)		DIM (INCH) DIM (MM)		DIM (INCH) DIM (MM)	
CUSTOMER DRAWING		DATE 2-11-03		PART 1 OF 1	