

4

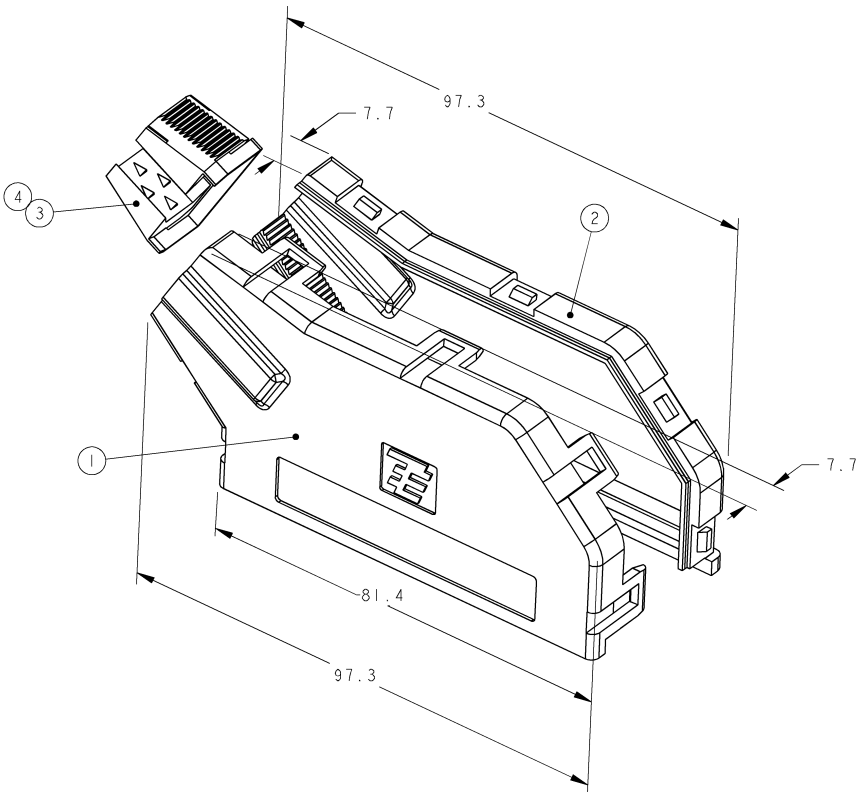
3

2

1

THIS DRAWING IS UNPUBLISHED. RELEASED FOR PUBLICATION
 © COPYRIGHT - BY TYCO ELECTRONICS CORPORATION. ALL RIGHTS RESERVED.

LOC	DIST	REVISIONS			
P	LTR	DESCRIPTION	DATE	DWN	APVD
A		NEW RELEASE	27SEP07	SV	TdB
AI		ECO-08-002076	23 JAN 08	SV	TdB
B		ECR-08-008989	09 APR 08	SV	TdB



- NOTES
1. 1982754-1 AS SHOWN
 2. ALL DIMENSIONS SHOWN ARE MAXIMUM UNLESS OTHERWISE SPECIFIED
 - △ MATERIAL : POLYPHENYL OXIDE, BLACK
 4. MAX CABLE DIA : 14.0 mm
 5. KIT SHIPPED UNASSEMBLED.
 6. PACKAGING- 100 PCS PER ITEM BULK PACKED IN SEPARATE POLY BAGS.
 - △ MATERIAL : NYLON 6.6, BLACK
 - △ MATERIAL : POLYPROPYLENE, BLACK

△	1	-	STRAINRELIEF	4
↑	-	1	STRAINRELIEF LSZH CABLE	3
△	1	1	120° COVER GROOVE SIDE	2
△	1	1	120° COVER TONGUE SIDE	1
	-2	-1	DESCRIPTION	SI.No

THIS DRAWING IS A CONTROLLED DOCUMENT FOR TYCO ELECTRONICS CORPORATION IT IS SUBJECT TO CHANGE AND THE CONTROLLING ENGINEERING ORGANIZATION SHOULD BE CONTACTED FOR THE LATEST REVISION.

DIMENSIONS:	TOLERANCES UNLESS OTHERWISE SPECIFIED:	DWN	27 SEP 07	Tyco Electronics Corp India(P) Ltd Bangalore 560048 ,India
mm		CHK	Vaithsa 27 SEP 07	
		APVD	Premjith	NAME
		PRODUCT SPEC	T de Boer	KIT, COVER 120DEG, 64 POS
		APPLICATION SPEC		SIZE
MATERIAL	FINISH	WEIGHT		CAGE CODE
				DRAWING NO
				RESTRICTED TO
				A300779
				1982754
				CUSTOMER DRAWING
				SCALE 3:2
				SHEET 1 OF 1
				REV B

AMP 1470-19 REV 31MAR2000