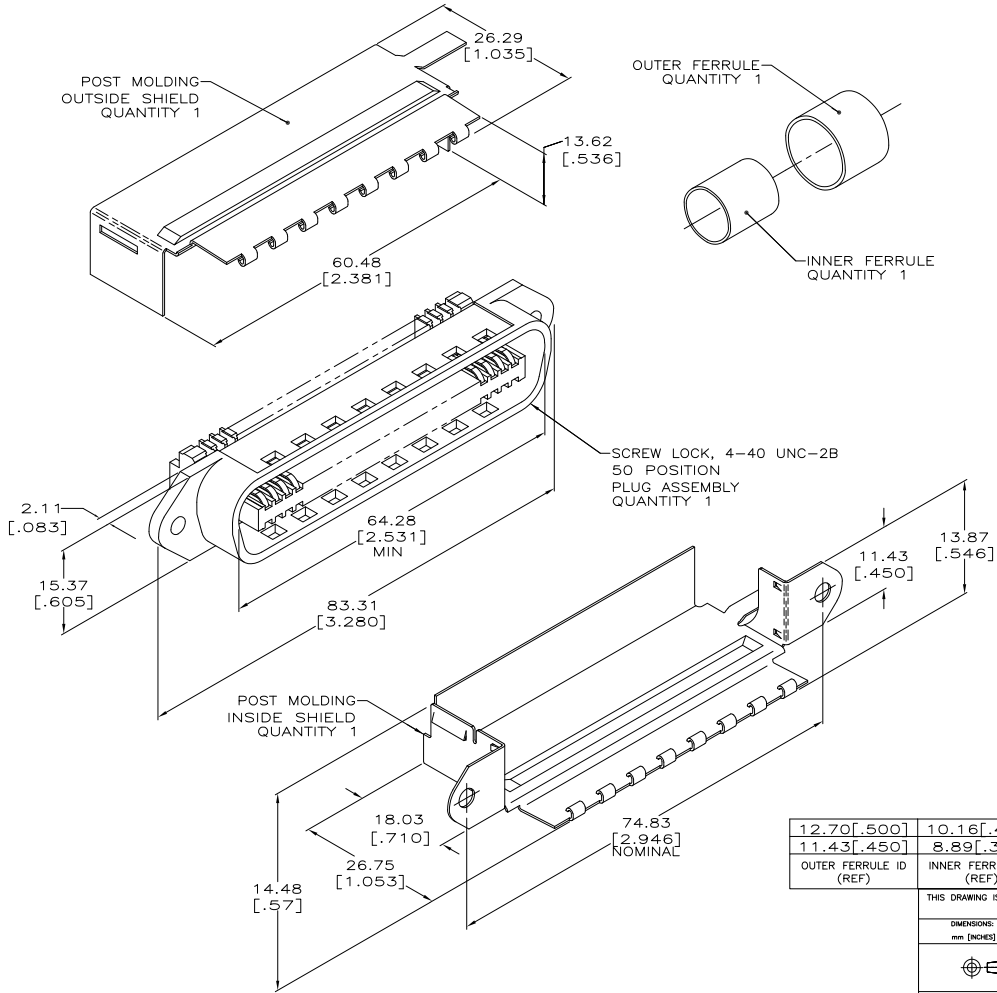


THIS DRAWING IS UNPUBLISHED. RELEASED FOR PUBLICATION.
 © COPYRIGHT BY TYCO ELECTRONICS CORPORATION. ALL RIGHTS RESERVED.

LOC	DIST	REVISIONS			
F	LNK	DESCRIPTION	DATE	BY	APPD
GP	00	REVISED PER ECO-08-007327	02OCT08	BM	WM

- THIS KIT SHIPPED NOT ASSEMBLED.
- ⚠ MATERIAL: PLUG HOUSING - POLYPHENYLENE OXIDE, BLACK.
 TERMINAL - HIGH STRENGTH COPPER ALLOY PLATED WITH EITHER 0.76µm [.000030] MIN GOLD OR GOLD FLASH OVER PALLADIUM NICKEL PLATE, 0.76µm [.000030] MIN TOTAL ON MATING SURFACE, 1.27µm [.000050] MIN NICKEL UNDERPLATE OVER ENTIRE TERMINAL.
 SHIELDS - BRIGHT NICKEL PLATED CARBON STEEL.
 FERRULES - BRASS.
- ⚠ WIRE SIZE: 24 OR 26 AWG SOLID OR 24 AWG 7 STRANDS COPPER CONDUCTORS. MAXIMUM INSULATION DIAMETER OF 1.14[.045] IS ACCEPTABLE FOR MOST APPLICATIONS.
- CENTER-TO-CENTER SPACING OF TERMINALS IS 2.16 [.085] NOMINAL.
- ⚠ BULK PACKAGED 500 KITS PER CONTAINER.

⚠ DIMENSIONS ARE MAXIMUM UNLESS OTHERWISE SPECIFIED.



12.70 [.500]	10.16 [.400]	BLACK	B	⚠	⚠	1116719-3
11.43 [.450]	8.89 [.350]	BLACK	B	⚠	⚠	1116719-1
OUTER FERRULE ID (REF)	INNER FERRULE ID (REF)	HOUSING COLOR	SLOT	WIRE SIZE	PACKAGED	PART NUMBER

THIS DRAWING IS A CONTROLLED DOCUMENT.		DL DEUMOND 10-JUL-00	Tyco Electronics Corporation	
DIMENSIONS: mm [INCHES]		DL DEUMOND 13-JUL-00	Harrisburg, PA 17105-3608	
TOLERANCES UNLESS OTHERWISE SPECIFIED:		DL DEUMOND 13-JUL-00	PLUG KIT, 50 POSITION, POST MOLDING, SHIELDED, 90° SCREW LOCK, CHAMP	
0 PLC	± .00	APPC	NAME	RESTRICTED TO
1 PLC	± .01	PRODUCT SPEC	SIZE	00779
2 PLC	± .02	APPLICATION SPEC	CAGE CODE	1116719
3 PLC	± .03	WEIGHT	DRAWING NO	C=1116719
4 PLC	± .04	FINISH	CUSTOMER DRAWING	SCALE
ANGLES	± .05			2:1
				SHEET 1 of 1
				REV E

AMP 1471-9 REV 31MM2000

1116719

A