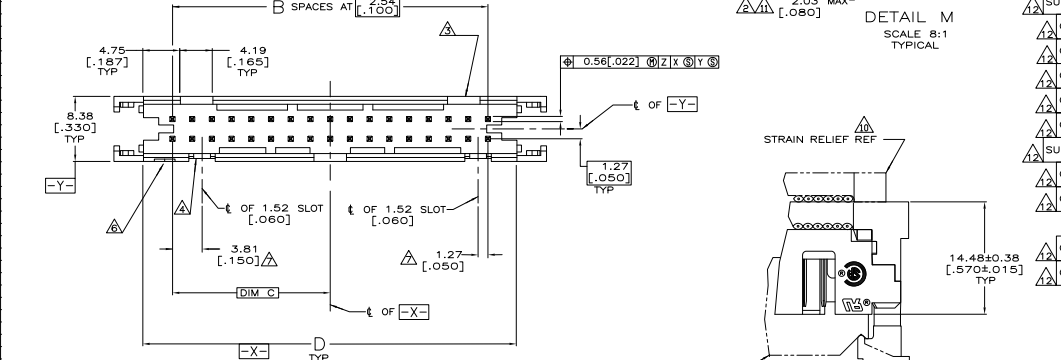
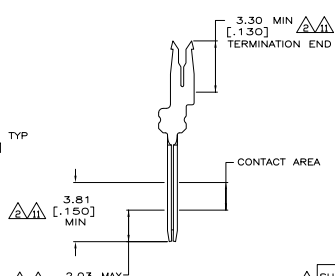
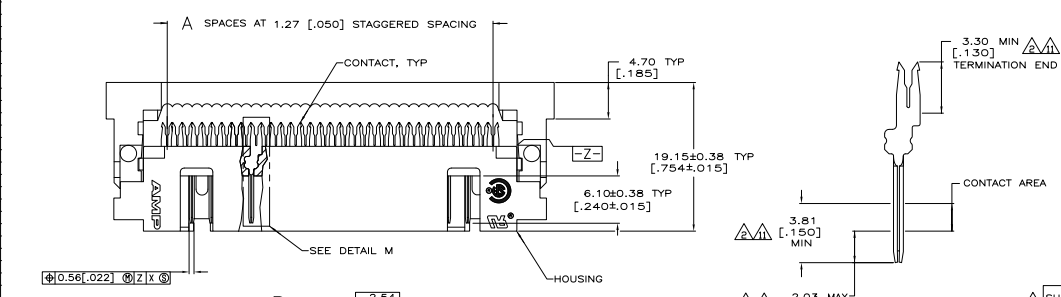
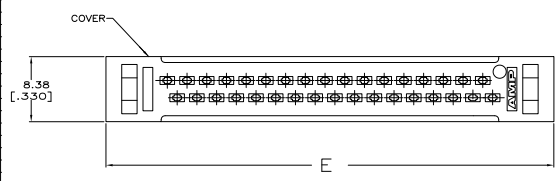


REV	DATE	DESCRIPTION	BY	APP
00				
01		REVISED PER EDD-11-610351		

- △ FLAME RETARDANT 94V-0 RATED THERMOPLASTIC; BLACK.
- △ 2.54µm [.000100] MIN MATTE TIN-LEAD ON TERMINATION END, 0.76µm [.000030] MIN GOLD ON CONTACT AREA, ALL OVER 1.27µm [.000050] MIN NICKEL.
- OR-
- △ GOLD FLASH OVER PALLADIUM-NICKEL 0.76µm [.000030] TOTAL ON CONTACT AREA, 2.54µm [.000100] MIN BRIGHT TIN-LEAD ON TERMINATION END, ALL OVER 1.27µm [.000050] MIN NICKEL.
- △ NO SLOT ON THIS END FOR TEN POSITION HOUSINGS.
- △ NO SLOT FOR SNAP-IN POLARIZER ON THIS END FOR 10 AND 14 POSITION HOUSINGS.
- 5. FOR MILITARY POLARIZATION, ORDER SNAP-IN POLARIZER 499991-2 (BULK PACK OF 50).
- △ POSITION NO 1 INDICATOR.
- △ COORDINATE DIMENSION APPLIES FOR CENTER OF ACTUAL FEATURE.
- △ FOR LATCHES ORDER 111451, 2 PER ASSEMBLY.
- △ PHOSPHOR BRONZE PER QQ-B-750.

- △ STRAIN RELIEF 111547 MUST BE ORDERED SEPARATELY.
- △ 2.54µm [.000100] MIN MATTE TIN ON TERMINATION END, 0.76µm [.000030] MIN GOLD ON CONTACT AREA, ALL OVER 1.27µm [.000050] MIN NICKEL.
- OR-
- △ GOLD FLASH OVER PALLADIUM-NICKEL 0.76µm [.000030] TOTAL ON CONTACT AREA, 2.54µm [.000100] MIN BRIGHT TIN-LEAD ON TERMINATION END, ALL OVER 1.27µm [.000050] MIN NICKEL.
- △ OBSOLETE PARTS: OBSOLETE CIS STREAMLINING PER D. RENAUD/D. SINISI.



COVER NOT SHOWN IN THIS VIEW FOR CLARITY

MATING RECEPTACLE REF

TERMINATED ASSEMBLY (ASSEMBLED BY CUSTOMER)

△	95.81	86.21	39.37	31	63	64	2-111446-6
△	[3.772]	[3.394]	[1.550]				
△	89.59	81.13	36.83	29	59	60	2-111446-5
△	[3.527]	[3.194]	[1.450]				
△	70.41	60.81	26.87	21	43	44	2-111446-4
△	[2.772]	[2.394]	[1.050]				
△	65.35	55.73	24.13	19	39	40	2-111446-3
△	[2.572]	[2.194]	[.950]				
△	57.71	48.11	20.32	16	33	34	2-111446-2
△	[2.272]	[1.894]	[.800]				
△	52.63	43.03	17.78	14	29	30	2-111446-1
△	[2.072]	[1.694]	[.700]				
△	47.55	37.95	15.24	12	25	26	2-111446-0
△	[1.872]	[1.494]	[.600]				
△	45.01	35.41	13.97	11	23	24	1-111446-9
△	[1.772]	[1.394]	[.550]				
△	39.93	30.33	11.43	9	19	20	1-111446-8
△	[1.572]	[1.194]	[.450]				
△	78.03	68.43	30.48	24	49	50	1-111446-7
△	[3.072]	[2.694]	[1.200]				
△	34.85	25.25	8.89	7	15	16	1-111446-6
△	[1.372]	[.994]	[.350]				
△	32.31	22.71	7.62	6	13	14	1-111446-5
△	[1.272]	[.894]	[.300]				
△	27.230	17.63	5.08	4	9	10	1-111446-4
△	[1.072]	[.694]	[.200]				
△	95.81	86.21	39.37	31	63	64	1-111446-3
△	[3.772]	[3.394]	[1.550]				
△	89.59	81.13	36.83	29	59	60	1-111446-2
△	[3.527]	[3.194]	[1.450]				
△	78.03	68.43	30.48	24	49	50	1-111446-1
△	[3.072]	[2.694]	[1.200]				
△	70.41	60.81	26.87	21	43	44	1-111446-0
△	[2.772]	[2.394]	[1.050]				
△	65.35	55.73	24.13	19	39	40	111446-9
△	[2.572]	[2.194]	[.950]				
△	57.71	48.11	20.32	16	33	34	111446-8
△	[2.272]	[1.894]	[.800]				
△	52.63	43.03	17.78	14	29	30	111446-7
△	[2.072]	[1.694]	[.700]				
△	47.55	37.95	15.24	12	25	26	111446-6
△	[1.872]	[1.494]	[.600]				
△	45.01	35.41	13.97	11	23	24	111446-5
△	[1.772]	[1.394]	[.550]				
△	39.93	30.33	11.43	9	19	20	111446-4
△	[1.572]	[1.194]	[.450]				
△	78.03	68.43	30.48	7	15	16	111446-3
△	[3.072]	[2.694]	[1.200]				
△	34.85	25.25	8.89	6	13	14	111446-2
△	[1.372]	[.994]	[.350]				
△	32.31	22.71	7.62	4	9	10	111446-1
△	[1.272]	[.894]	[.300]				
△	27.230	17.63	5.08				
△	[1.072]	[.694]	[.200]				

CONTACT FINISH	E	D	C	B	A	NO OF POSN	PART NUMBER

THIS DRAWING IS A CONTROLLED DOCUMENT. SEE INSTRUCTIONS FOR MORE INFORMATION.

UNIVERSITY MICROFILMS INTERNATIONAL

TE Connectivity

UNIV I/O PIN CONN, WITHOUT MOUNTING EAR, AMP-LATCH\*

114-7011

111446

CUSTOMER DRAWING