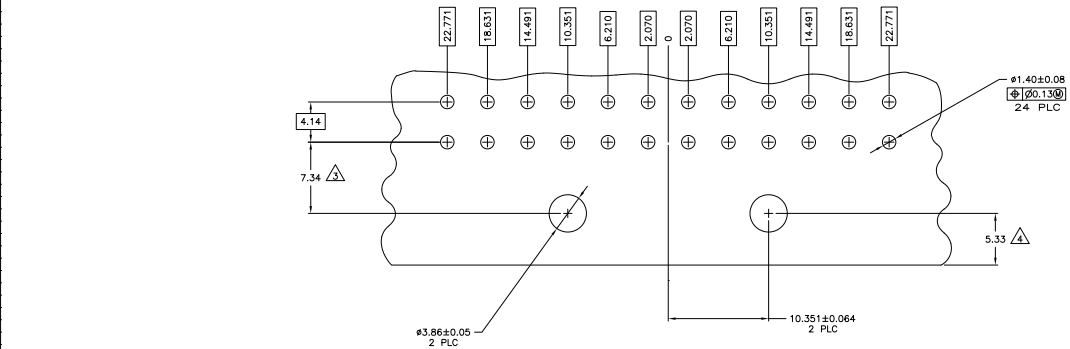
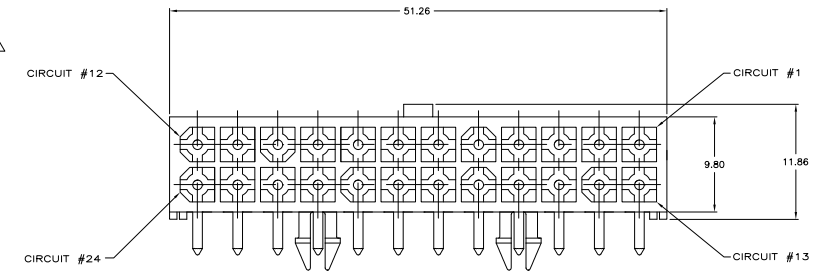
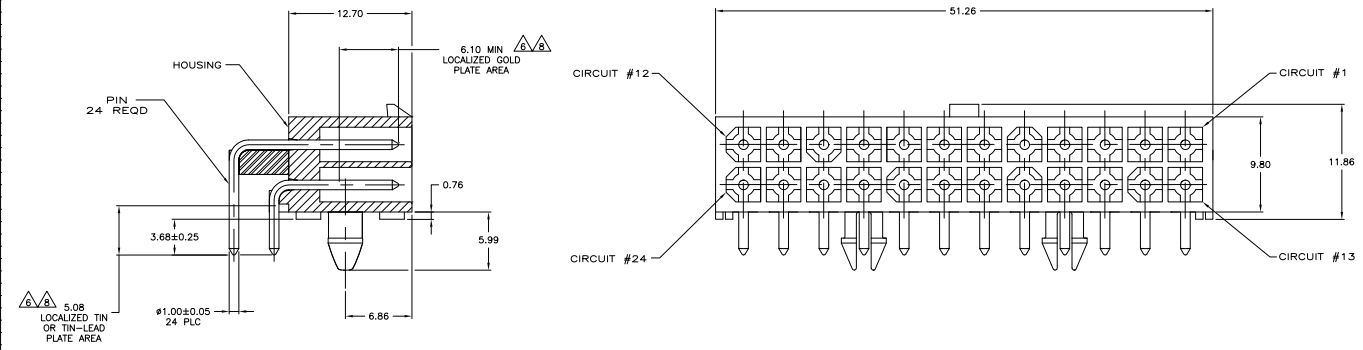


THIS DRAWING IS UNPUBLISHED  
 ALL RIGHTS RESERVED

REV	DATE	DESCRIPTION	BY	CHK	APP
CM	00				
C1		REVISED PER EDD-11-004917			



RECOMMENDED MOUNTING HOLE PATTERN FOR 1.57 THICK P.C. BOARD

- PINS TO COMPLY WITH AMP SOLDERABILITY SPEC 109-11-3.
  - MATES WITH PLUG P/N 770587-1.
- △ COORDINATE DIMENSION APPLIES FROM CENTER OF ACTUAL FEATURE.
  - △ RECOMMENDED FOR EDGE MOUNTING.
  - △ 0.00381 MIN MATTE TIN LEAD OVER 0.00127 MIN NICKEL.
  - △ 0.00076 MIN GOLD PLATE IN THE LOCALIZED GOLD PLATE AREA, 0.00381 MATTE TIN LEAD IN THE LOCALIZED PLATE AREA, BOTH OVER 0.00127 MIN NICKEL.
  - △ 0.00381 MIN MATTE TIN OVER 0.00127 MIN NICKEL.
  - △ 0.00076 MIN GOLD PLATE IN THE LOCALIZED GOLD PLATE AREA, 0.00381 MIN MATTE TIN IN THE LOCALIZED TIN PLATE AREA, BOTH OVER 0.00127 MIN NICKEL.

MM	IN	MM	IN	MM	IN
1.00	.039	6.10	.240	51.26	2.018
0.76	.030	5.99	.236	22.771	.8965
0.25	.010	5.33	.210	18.631	.7335
0.13	.005	5.08	.200	14.491	.5705
0.08	.003	4.14	.163	12.70	.500
0.064	.0025	3.66	.152	10.351	.4075
0.05	.002	3.68	.145	9.80	.386
0.0038	0.000150	2.070	.0815	7.34	.289
0.00127	0.000050	1.57	.062	6.86	.270
0.00076	0.00030	1.40	.055	6.210	.2445

CONVERSION TABLE

MATERIAL	FINISH	MATERIAL	COLOR	PART NO.
BRASS	GOLD	NYLON, UL94V-0	WHITE	1-794108-1
BRASS	TIN	NYLON, UL94V-0	WHITE	1-794108-0
BRASS	GOLD	NYLON, UL94V-0	WHITE	794108-2
BRASS	TIN-LEAD	NYLON, UL94V-0	WHITE	794108-1

THIS DRAWING IS A CONTROLLED DOCUMENT.

DESIGNED BY: J. JONES  
 CHECKED BY: J. JONES  
 DATE: 18/03/07

TE Connectivity  
 HEADER ASSEMBLY, RIGHT ANGLE, W/SHORT PEG, 24 CIRCUIT, MINI UNIVERSAL, MATE-N-LON(TM)

SEE TABLE  
 SEE TABLE  
 SEE TABLE

CUSTOMER DRAWING  
 A1 00779 (C)=794108  
 SIZE: S:1 SHEET 1 OF 1 REV: C1

