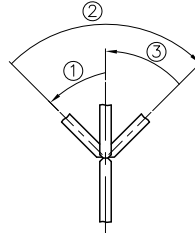
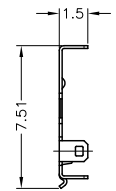
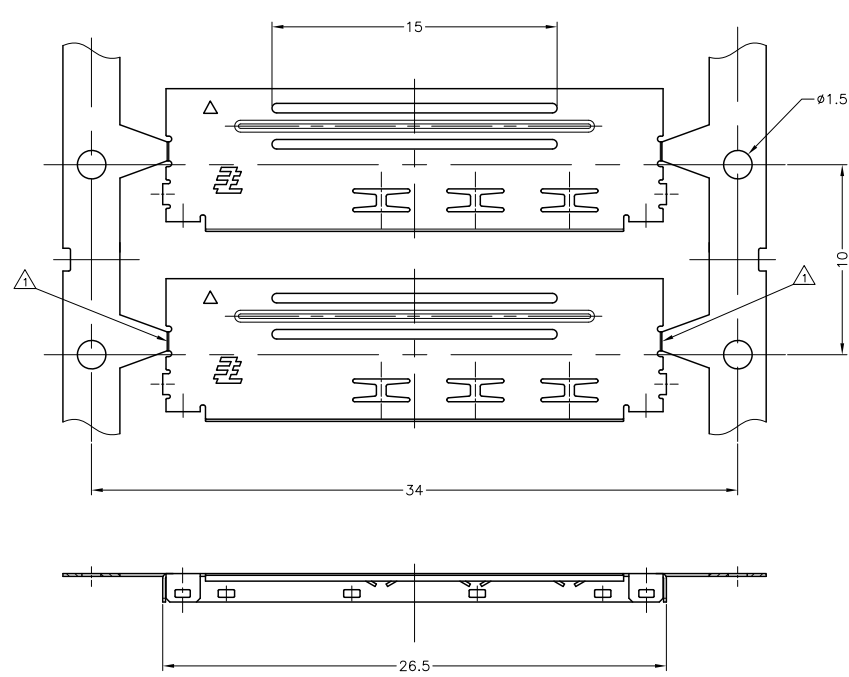


2023517-1: AS SHOWN

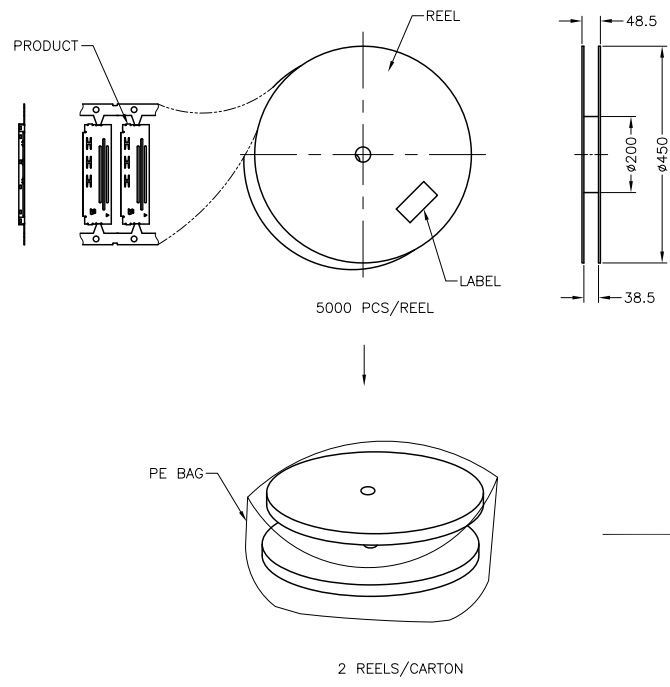
NOTES:
 ⚠ NOTCH SHOULD BE CUT OFF WITHIN 3 PROCESS



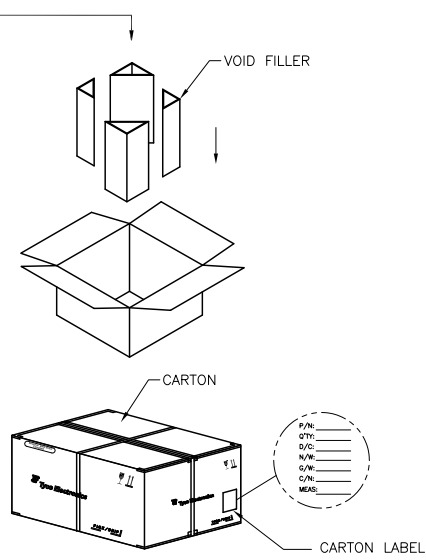
⚠ NOTCH CUT PROCESS

UPPER SHELL	COPPER ALLOY	NICKEL UNDER PLATING 1.27um MIN. ALL OVER TIN PLATING 2~5um ALL OVER NICKEL
NAME	MATERIAL	FINISH/COLOR

THIS DRAWING IS A CONTROLLED DOCUMENT.		DWN	T.KUO	23FEB10	Tyco Electronics Corporation Taipei, Taiwan
		CHK	V.PENG	23FEB10	
		APVD	H.KODAMA	23FEB10	NAME UPPER SHELL FOR 44 POS PLUG CONNECTOR LCD COAXIAL EMBEDDED DISPLAY INTERFACE (LCEDI) SRD SERIES H=9.35mm
		PRODUCT SPEC			
		APPLICATION SPEC			SIZE A3 CAGE CODE 00779 DRAWING NO C-2023517
		WEIGHT			
MATERIAL		FINISH		RESTRICTED TO	
CUSTOMER DRAWING				SCALE	5:1
				SHEET	1 OF 2
				REV	C



NOTES:
 1. QUANTITY: 5000 PCS/REEL, 10000 PCS/CARTON
 2. CARTON DIMENSIONS: 475X475X105



THIS DRAWING IS A CONTROLLED DOCUMENT.		DWN	Tyco Electronics Corporation Taipei, Taiwan	
DIMENSIONS: mm		CHK	NAME	
TOLERANCES UNLESS OTHERWISE SPECIFIED:		APVD	UPPER SHELL FOR 44 POS PLUG CONNECTOR LCD COAXIAL EMBEDDED DISPLAY INTERFACE (LCEDI) SRD SERIES H=9.35mm	
0 PLC ± -		PRODUCT SPEC	SIZE	CAGE CODE
1 PLC ± -		APPLICATION SPEC	A3	00779
2 PLC ± -		WEIGHT	DRAWING NO	2023517
3 PLC ± -			SCALE	FREE
4 PLC ± -			SHEET	2 of 2
ANGLES ± -		CUSTOMER DRAWING	REV	C