

4

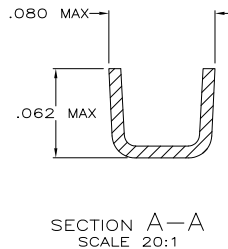
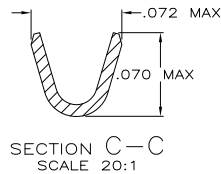
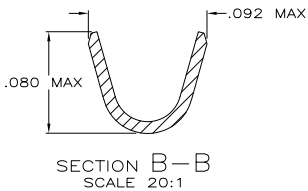
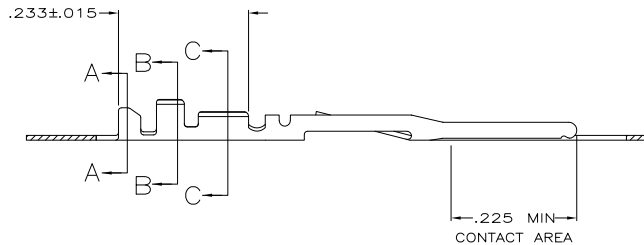
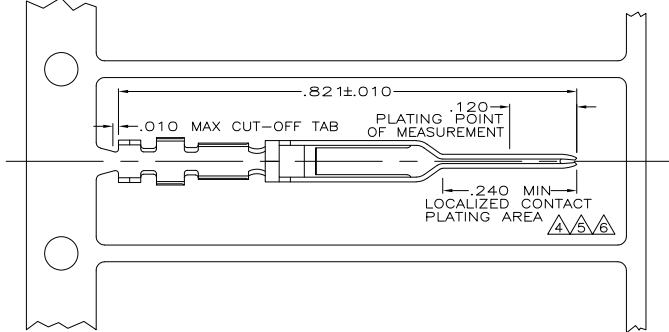
3

2

1

THIS DRAWING IS UNPUBLISHED. RELEASED FOR PUBLICATION
 © COPYRIGHT - By - ALL RIGHTS RESERVED.

LOC	DIST	REVISIONS					
GP	00	F	LR	DESCRIPTION	DATE	BY	APP
		AA1		REVISED PER ECO-11-004835	11MAR11	RK	HMR



- ▲ FOR STD APPLICATOR.
- ▲ FOR MINI APPLICATOR.
- ▲ FINISH: .000100 MIN THK BRIGHT TIN LEAD OVER .000050 MIN THK NICKEL ON ENTIRE CONTACT.
- ▲ FINISH: .000015 THK GOLD IN LOCALIZED CONTACT PLATING AREA AND GOLD FLASH IN OTHER AREAS OVER .000050 MIN NICKEL ON ENTIRE CONTACT, -OR- GOLD FLASH OVER PALLADIUM-NICKEL, .000015 MIN TOTAL THK IN LOCALIZED CONTACT PLATING AREA AND GOLD FLASH ON REMAINDER OVER .000050 MIN NICKEL ON ENTIRE CONTACT.
- ▲ FINISH: .000030 THK GOLD IN LOCALIZED CONTACT PLATING AREA AND GOLD FLASH IN OTHER AREAS OVER .000050 MIN NICKEL ON ENTIRE CONTACT. -OR- GOLD FLASH OVER PALLADIUM-NICKEL, .000030 MIN TOTAL THK IN LOCALIZED CONTACT PLATING AREA AND GOLD FLASH ON REMAINDER OVER .000050 MIN NICKEL ON ENTIRE CONTACT.
- ▲ FINISH: .000050 THK GOLD IN LOCALIZED CONTACT PLATING AREA AND GOLD FLASH IN OTHER AREAS OVER .000050 MIN NICKEL ON ENTIRE CONTACT. -OR- GOLD FLASH OVER PALLADIUM-NICKEL, .000050 MIN TOTAL THK IN LOCALIZED CONTACT PLATING AREA AND GOLD FLASH ON REMAINDER OVER .000050 MIN NICKEL ON ENTIRE CONTACT.
- ▲ FINISH: .000030 THK GOLD ON ENTIRE CONTACT (EXCEPT .000003 PERMISSIBLE ON INTERIOR OF CONTACT NOSE) OVER .000050 MIN THK NICKEL ON ENTIRE CONTACT.
- 8. FOR 22-26 AWG WIRE WITH AN INSULATION RANGE OF .040-.056 DIA.
- ▲ OBSOLETE PART NO.
- ▲ FINISH: .000100 MIN THK TIN OVER .000050 MIN THK NICKEL ON ENTIRE CONTACT.

▲	1-86561-0	▲	▲	1-86557-9
▲	—	▲	▲	1-86557-7
▲	—	▲	▲	1-86557-5
▲	86561-9	▲	▲	1-86557-4
▲	—	▲	▲	1-86557-3
▲	—	▲	▲	1-86557-2
▲	—	▲	▲	1-86557-1
▲	—	▲	▲	1-86557-0
▲	—	▲	▲	86557-8
▲	86561-7	▲	▲	86557-7
▲	86561-6	▲	▲	86557-6
▲	86561-4	▲	▲	86557-4
FINISH	LOOSE PIECE			PART NO
	PART NO			PART NO

THIS DRAWING IS A CONTROLLED DOCUMENT.		BY	J. GALLUCCI	4-27-89
		CHK	S.L. ROCKER	4-28-89
		APP	G.D. MILLER	4-29-89
DIMENSIONS: INCHES		PRODUCT SPEC	108-9024	
MATERIAL: PHOS. BRONZE		APPLICATION SPEC	114-16003	
FINISH: SEE TABLE		WEIGHT	—	
		SIZE	A2	00779
		DRAWING NO	C-86557	
		CUSTOMER DRAWING	SCALE	8:1
		SHEET	1 of 1	
		REV	AA1	

1471-9 (3/11)

86557

A