

4

3

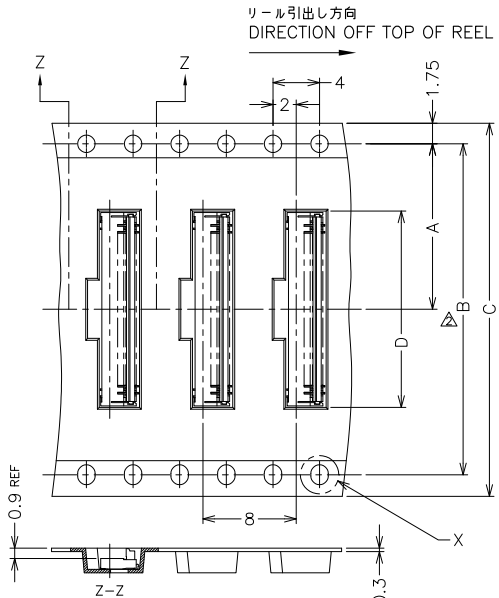
2

1

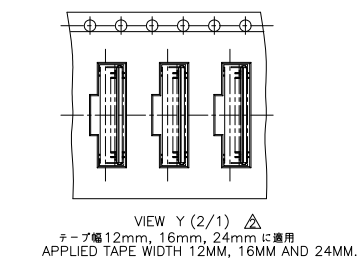
THIS DRAWING IS UNPUBLISHED. RELEASED FOR PUBLICATION - ALL RIGHTS RESERVED.

© COPYRIGHT - By -

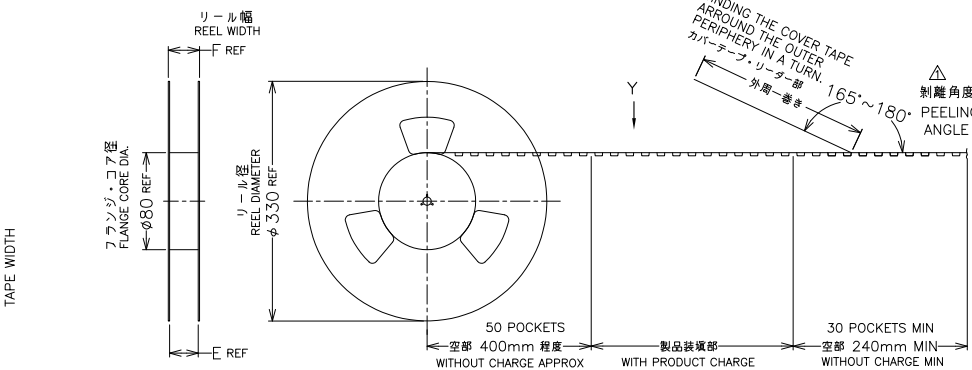
| LOC | DIST | REVISIONS | | | |
|-----|------|---------------------------|---------|-----|------|
| P | LTR | DESCRIPTION | DATE | DWN | APVD |
| J | - | REVISED PER ECR-11-008941 | 28JUL11 | T.T | T.M |



VIEW Y (NTS)
テープ幅32mm以上に適用
APPLIED TAPE WIDTH 32MM, MORE.

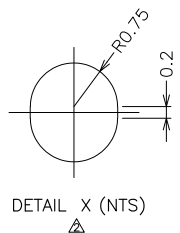


VIEW Y (2/1)
テープ幅12mm, 16mm, 24mmに適用
APPLIED TAPE WIDTH 12MM, 16MM AND 24MM.



- △ GENERAL TOLERANCE
10 > : ±0.2
30 > 10 : ±0.25
100 > 30 : ±0.3
ANGLES : ±3°
- △ DIM. B AND DETAIL "X" APPLIED TAPE WIDE, 32mm MORE.

- △ 一般公差
10以下 : ±0.2
10を越え 30以下 : ±0.25
30を越え 100以下 : ±0.3
角度 : ±3°
- △ B寸法及び"X"詳細図は、テープ幅32mm以上に適用



| OBSOLETE | AVAILABLE | 0.089g | 30.4 | 24.4 | 15.0 | 24 | — | 11.5 | 3000 | 45 | 1-2013928-8 |
|----------|------------------|------------|------|------|------|----|---|--------|---------|-----------------------------------|-------------|
| | AVAILABLE | 0.085g | 30.4 | 24.4 | 14.4 | 24 | — | 11.5 | 3000 | 43 | 1-2013928-7 |
| | AVAILABLE | 0.081g | 30.4 | 24.4 | 13.8 | 24 | — | 11.5 | 3000 | 41 | 1-2013928-6 |
| | AVAILABLE | 0.077g | 30.4 | 24.4 | 13.2 | 24 | — | 11.5 | 3000 | 39 | 1-2013928-5 |
| | AVAILABLE | 0.074g | 30.4 | 24.4 | 12.6 | 24 | — | 11.5 | 3000 | 37 | 1-2013928-4 |
| | AVAILABLE | 0.066g | 30.4 | 24.4 | 11.4 | 24 | — | 11.5 | 3000 | 33 | 1-2013928-2 |
| | AVAILABLE | 0.055g | 30.4 | 24.4 | 9.6 | 24 | — | 11.5 | 3000 | 27 | 2013928-9 |
| | AVAILABLE | 0.052g | 22.4 | 16.4 | 9.0 | 16 | — | 7.5 | 3000 | 25 | 2013928-8 |
| STATUS | CONNECTOR WEIGHT | DIMENSIONS | | | | | | 数量 (ヶ) | POS.(N) | EMBOSS TAPE PACKAGING PART NUMBER | |
| | | F | E | D | C | B | A | | | | |

THIS DRAWING IS A CONTROLLED DOCUMENT.

DWN Y.KODAIRA 24MAR2008
CHK T.KUSUHARA 25MAR2008
APVD T.KUSUHARA 25MAR2008

TE Connectivity

0.3FPC Narrow BF-U
0.9mmH, 3.8mmW
GOLD PLATE

PRODUCT SPEC 108-78574
APPLICATION SPEC 411-78318
WEIGHT SEE TABLE

SIZE A3 CAGE CODE 00779 DRAWING NO. 2013928

CUSTOMER DRAWING SCALE NTS SHEET 1 OF 2 REV H

4

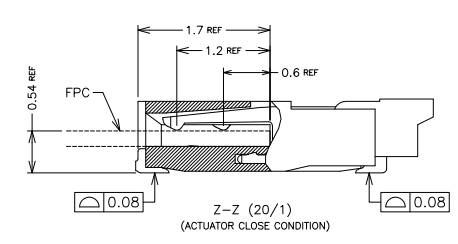
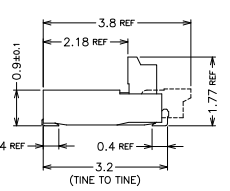
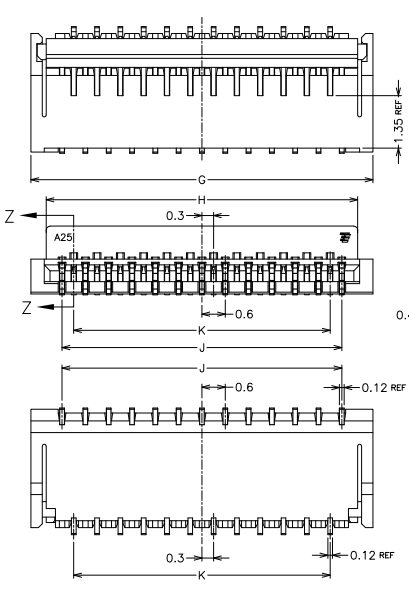
3

2

1

THIS DRAWING IS UNPUBLISHED. RELEASED FOR PUBLICATION - F -
 © COPYRIGHT - By - ALL RIGHTS RESERVED.

| LOC | DIST | REVISIONS | | | |
|-----|------|-------------|------|-----|------|
| P | LTR | DESCRIPTION | DATE | DWN | APVD |
| - | - | SEE SHEET 1 | - | - | - |



△ MATERIAL
 HOUSING : THERMO PLASTIC
 ACTUATOR : THERMO PLASTIC
 FRONT CONTACT : COPPER ALLOY
 REAR CONTACT : COPPER ALLOY

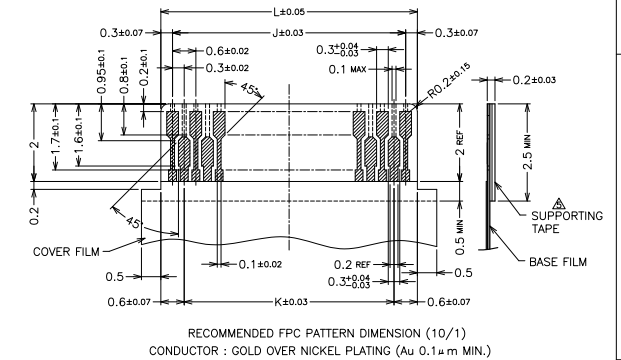
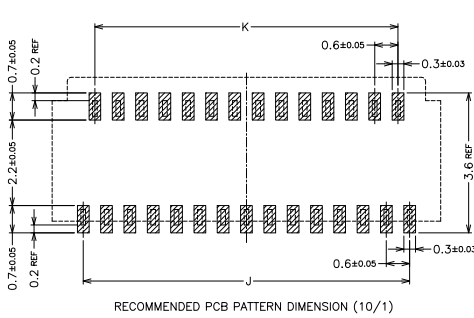
△ FINISH
 FRONT CONTACT : GOLD OVER NICKEL PLATING
 REAR CONTACT : GOLD OVER NICKEL PLATING

△ THE SUPPORTING TAPE OF FPC IS RECOMMENDED TO USE THE POLYIMIDE OR THE EQUIVALENT MATERIAL OF THE THICKNESS OF 50μm OR MORE.

△ 材質
 ハウジング : 耐熱樹脂
 アクチュエーター : 耐熱樹脂
 フロントコンタクト : 銅合金
 リアコンタクト : 銅合金

△ めっき
 フロントコンタクト : 金めっき(ニッケル下地めっき)
 リアコンタクト : 金めっき(ニッケル下地めっき)

△ FPCの補強板には、厚さ50μm以上のポリイミドまたは相当材料の使用を推奨する。



| | | | | | | |
|------|------|------|-------|------|------|----------------|
| 13.8 | 12.6 | 13.2 | 14.02 | 14.8 | 45 | 1-2013928-8 |
| 13.2 | 12.0 | 12.6 | 13.42 | 14.2 | 43 | 1-2013928-7 |
| 12.6 | 11.4 | 12.0 | 12.82 | 13.6 | 41 | 1-2013928-6 |
| 12.0 | 10.8 | 11.4 | 12.22 | 13.0 | 39 | 1-2013928-5 |
| 11.4 | 10.2 | 10.8 | 11.62 | 12.4 | 37 | 1-2013928-4 |
| 10.2 | 9.0 | 9.6 | 10.42 | 11.2 | 33 | 1-2013928-2 |
| 8.4 | 7.2 | 7.8 | 8.62 | 9.4 | 27 | 2013928-9 |
| 7.8 | 6.6 | 7.2 | 8.02 | 8.8 | 25 | 2013928-8 |
| L | K | J | H | G | POS. | CONN. PART No. |

THIS DRAWING IS A CONTROLLED DOCUMENT.

| DIMENSIONS: | TOLERANCES UNLESS OTHERWISE SPECIFIED: |
|-------------|--|
| mm | |
| | ± 0.3 |
| | ± 0.3 |
| | ± 0.3 |
| | ± 0.3 |
| | ± 0.3 |
| | ± 3° |

| | | | | | | |
|---|-----------|------------|--------------|------------------|--------|------------------|
| DWN | CHK | APVD | PRODUCT SPEC | APPLICATION SPEC | WEIGHT | CUSTOMER DRAWING |
| TE Connectivity 0.3FPC Narrow BF-U 0.9mmH, 3.8mmW GOLD PLATE | | | | | | RESTRICTED TO |
| | | | | | | --- |
| SIZE | CAGE CODE | DRAWING NO | | | | |
| A3 | 00779 | 2013928 | | | | |
| SCALE | 10:1 | SHEET | 2 of 2 | REV | H | |

1470-19 (3/11)