

4

3

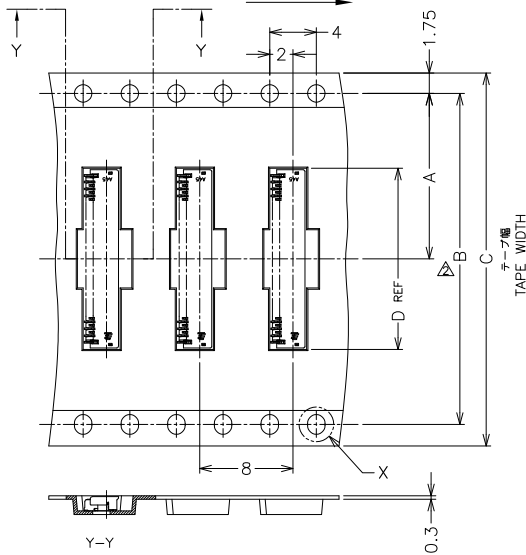
2

1

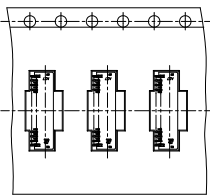
THIS DRAWING IS UNPUBLISHED. RELEASED FOR PUBLICATION
 © COPYRIGHT - By - ALL RIGHTS RESERVED.

LOC	DIST	REVISIONS				
P	LTR	DESCRIPTION	DATE	DWN	APVD	
E		REVISED PER ECR-11-008941	28JUL11	T.T	T.M	

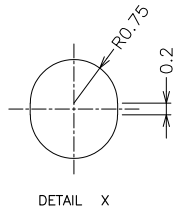
リール引出し方向
DIRECTION OFF TOP OF REEL



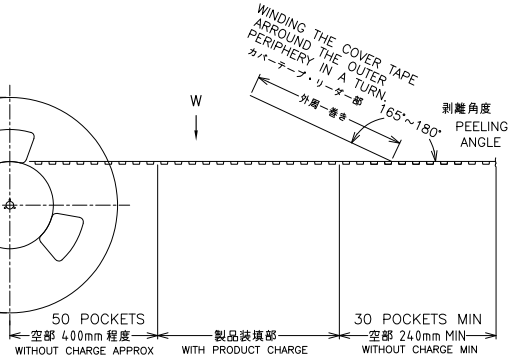
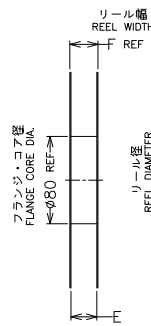
VIEW W
テープ幅32mm以上に適用
APPLIED TAPE WIDTH 32MM, MORE.



VIEW W
テープ幅12mm, 16mm, 24mmに適用
APPLIED TAPE WIDTH 12MM, 16MM AND 24MM.



DETAIL X



- △ GENERAL TOLERANCE
 10 ≧ : ±0.2
 30 ≧ > 10 : ±0.25
 100 ≧ > 30 : ±0.3
 ANGLES : ±3°
- △ DIM. B AND DETAIL "X" APPLIED
 TAPE WIDE, 32mm MORE.
- △ 一般公差
 10以下 : ±0.2
 10を越え 30以下 : ±0.25
 30を越え 100以下 : ±0.3
 角 度 : ±3°
- △ B寸法及び"X"詳細図は、
 テープ幅32mm以上に適用

OBSOLETE	AVAILABLE	0.102g	30.4	24.4	17.35	24	—	11.5	4000	51	2-2013496-1
	AVAILABLE	0.083g	30.4	24.4	14.35	24	—	11.5	4000	41	1-2013496-6
	AVAILABLE	0.080g	30.4	24.4	13.75	24	—	11.5	4000	39	1-2013496-5
	AVAILABLE	0.066g	30.4	24.4	11.35	24	—	11.5	4000	31	1-2013496-1
	AVAILABLE	0.062g	30.4	24.4	10.75	24	—	11.5	4000	29	1-2013496-0
	AVAILABLE	0.059g	30.4	24.4	10.15	24	—	11.5	4000	27	2013496-9
OBSOLETE	AVAILABLE	0.048g	22.4	16.4	8.35	16	—	7.5	4000	21	2013496-6

THIS DRAWING IS A CONTROLLED DOCUMENT.

DIMENSIONS: mm	TOLERANCES UNLESS OTHERWISE SPECIFIED: 0 PLC ±0.3 1 PLC ±0.3 2 PLC ±0.3 3 PLC ±0.3 4 PLC ±0.3 ANGLES ±3°	DWN Y.KODAIRA 29NOV2007 CHK T.KUSUHARA 29NOV2007 APVD T.KUSUHARA 29NOV2007	TE Connectivity 0.3FPC Narrow BF-L-1.2H 1.2mmH, 2.9mmW, GOLD PLATE			
MATERIAL SEE NOTE 3	FINISH SEE NOTE 4	PRODUCT SPEC 108-78351 APPLICATION SPEC 411-78302	SIZE A3	CAGE CODE 00779	DRAWING NO C-2013496	RESTRICTED TO
CUSTOMER DRAWING		WEIGHT SEE TABLE	SCALE 10:1	SHEET 1 OF 2	REV E	

4

3

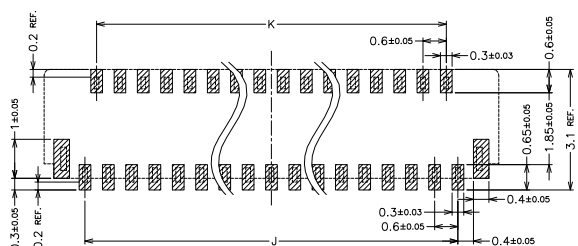
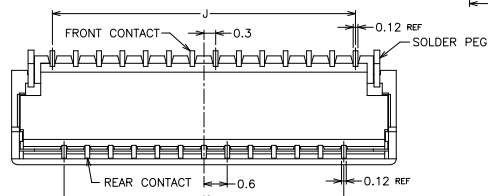
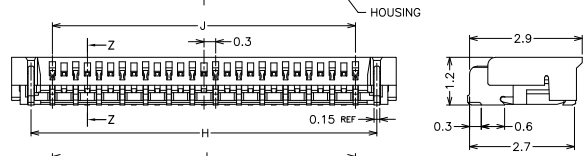
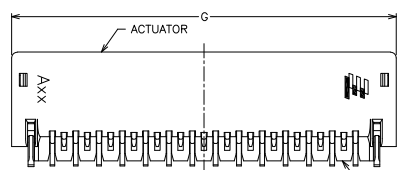
2

1

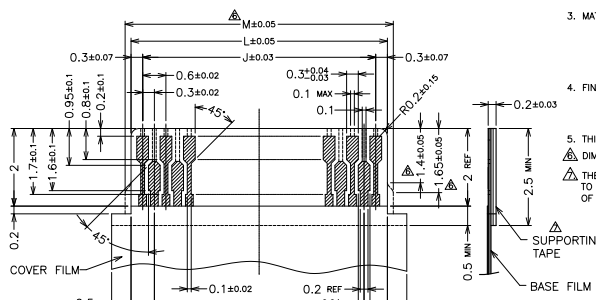
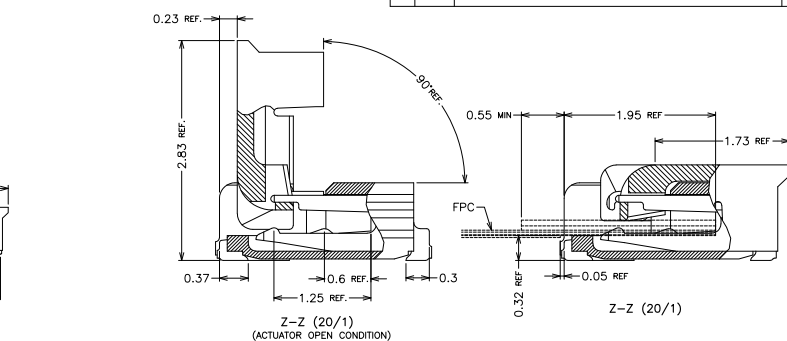
THIS DRAWING IS UNPUBLISHED. RELEASED FOR PUBLICATION. ALL RIGHTS RESERVED. LOC J DIST - REVISIONS

P	LTR	DESCRIPTION	DATE	DWN	APVD
		SEE SHEET 1			

D



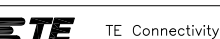
RECOMMENDED PCB PATTERN DIMENSION



RECOMMENDED FPC PATTERN DIMENSION
CONDUCTOR: GOLD OVER NICKEL PLATING (Au 0.1μm MIN.)

3. MATERIAL
 HOUSING : GRASS FILLED LCP, UL94V-0 (COLOR : NATURAL)
 ACTUATOR : GRASS FILLED PPS, UL94V-0 (COLOR : BLACK)
 FRONT CONTACT : COPPER ALLOY
 REAR CONTACT : COPPER ALLOY
 SOLDER PEG : COPPER ALLOY
4. FINISH
 FRONT CONTACT : GOLD OVER NICKEL PLATING
 REAR CONTACT : GOLD OVER NICKEL PLATING
 SOLDER PEG : TIN OVER NICKEL PLATING
5. THIS PRODUCT IS THE NICKEL DAM TYPE.
 DIM M IS APPLIED BELOW 25PINS.
 THE SUPPORTING TAPE OF FPC IS RECOMMENDED TO USE THE POLYIMIDE OR THE EQUIVALENT MATERIAL OF THE THICKNESS OF 50μm OR MORE.

3. 材質
 ハウジング : ガラス繊維入りLCP樹脂 UL94V-0 (色:乳白色)
 アクチュエーター : ガラス繊維入りPPS樹脂 UL94V-0 (色:黒)
 フロントコンタクト : 銅合金
 リアコンタクト : 銅合金
 ソルダープラグ : 銅合金
4. めっき
 フロントコンタクト : 金めっき (ニッケル下地めっき)
 リアコンタクト : 金めっき (ニッケル下地めっき)
 ソルダープラグ : スズめっき (ニッケル下地めっき)
5. 本品は、ニッケルダムのコネクタである。
 DIM. Mは、25PINS.以下に適用。
 FPCの補強材には、厚さ50μm以上のポリイミドまたは相当材料の使用を推奨する。



—	15.6	14.4	15.0	16.1	17.1	51	2-2013496-1
—	13.8	12.6	13.2	14.3	15.3	45	1-2013496-8
—	12.6	11.4	12.0	13.1	14.1	41	1-2013496-6
—	12.0	10.8	11.4	12.5	13.5	39	1-2013496-5
—	9.6	8.4	9.0	10.1	11.1	31	1-2013496-1
—	9.0	7.8	8.4	9.5	10.5	29	1-2013496-0
—	8.4	7.2	7.8	8.9	9.9	27	2013496-9
6,9	6.6	5.4	6.0	7.1	8.1	21	2013496-6
M	L	K	J	H	G	POS. CONN. PART No.	

THIS DRAWING IS A CONTROLLED DOCUMENT. DWN CHK

DIMENSIONS: mm 	TOLERANCES UNLESS OTHERWISE SPECIFIED: 0 PLC ± 0.3 1 PLC ± 0.3 2 PLC ± 0.3 3 PLC ± 0.3 4 PLC ± 0.3 ANGLES ± 3°	MATERIAL FINISH	NAME
			0.3FPC Narrow BF-L-1.2H 1.2mmH, 2.9mmW, GOLD PLATE
SEE NOTE 3	SEE NOTE 4	CUSTOMER DRAWING	RESTRICTED TO

SIZE: A3 CAGE CODE: 00779 DRAWING NO: 2013496

SCALE: 10:1 SHEET: 2 OF 2 REV: E