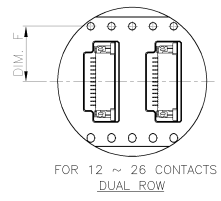
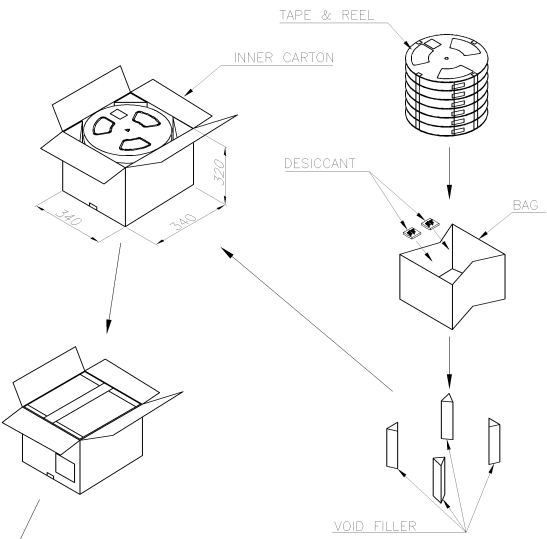
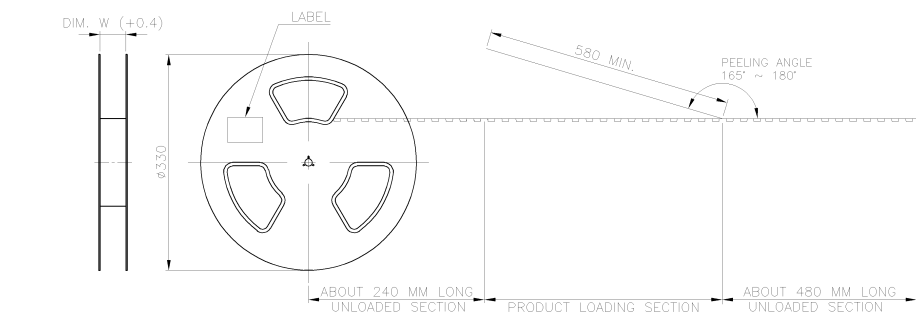
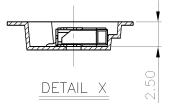
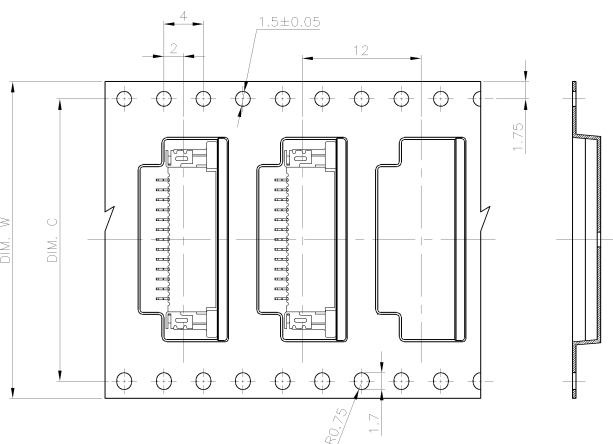


NUMBER C-1734821
METRIC

PRINT DIST DW
THIS INFORMATION IS CONFIDENTIAL AND IS DECIDED TO YOU ON CONDITION THAT NO FURTHER DISCLOSURE IS MADE BY YOU TO OTHER THAN AMP PERSONNEL WITHOUT DIMENSIONS IN MILLIMETERS. DO NOT SCALE PRINT.



USER DIRECTION OF UNREELING →



QUANTITY	PCS/TAPE	REELS/BOX	DIM C	DIM F	DIM W	G/W (kg)	N/W (kg)	NO. OF CONTACTS
12000 PCS	2000	6	40.4	20.2	44	13.5	7.8	26
						13.2	7.5	25
						12.8	6.6	22
16000 PCS	2000	8	28.4	14.2	32	12.6	6.0	20
						12.2	5.6	18
						11.8	5.4	17
20000 PCS	2000	10	11.5	24	24	10.6	4.9	13
						10.4	4.7	12
						10.2	4.3	10
						9.8	3.6	7
						9.5	3.2	6
						9.2	3.0	5
						9.0	2.6	4

TOLERANCES UNLESS OTHERWISE SPECIFIED: 0 PLG 1 PLG 2 PLG 3 PLG ANGLES	DWN A. WU 09-MAY-2008 CHK S. CHIEN 09-MAY-2008	NAME Tyco Electronics Tyco Electronics Corporation Taipei, Taiwan
MATERIAL -	APVD W. KODAMA 09-MAY-2008	PRODUCT SPEC FPC CONNECTOR, 1.0 PITCH, ZIF, TOP CONTACT
FINISH -	APPLICATION SPEC	LOC DW SCALE A ₃
WEIGHT		DRAWING NO C-1734821 REV C
		SCALE -- SHEET 2 OF 2

SEE SHEET 1.	REVISION RECORD	ECN	DWN/CHK	DATE

CUSTOMER DRAWING