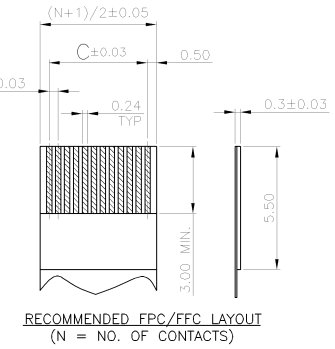
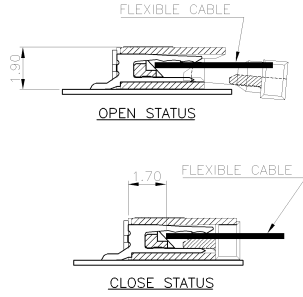
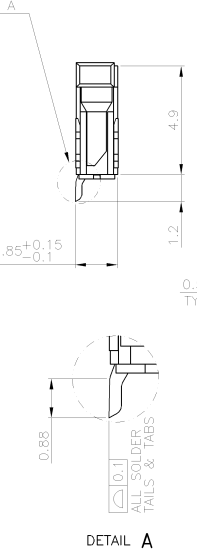
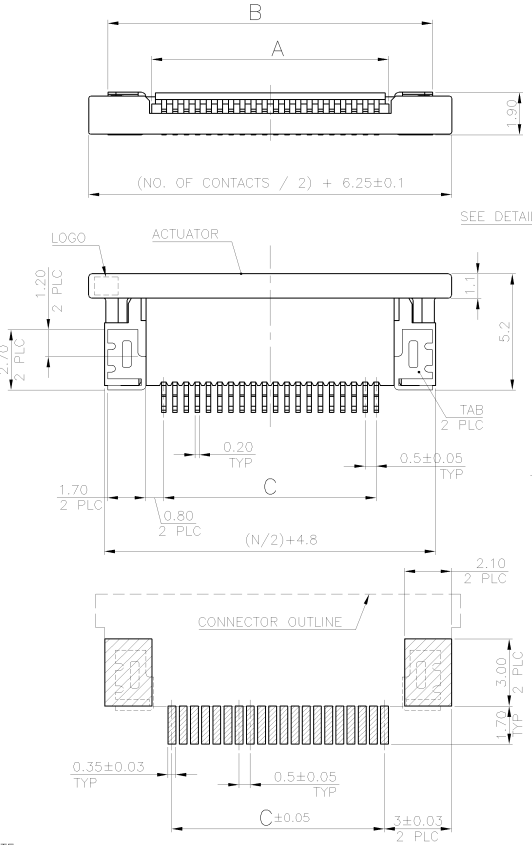


NUMBER C-1734820
METRIC
3RD ANGLE PROJECTION



- NOTE:
RECOMMENDED PCB LAYOUT
- MATERIAL:
 HOUSING: PA6T, 30% GF, UL 94V-0, NATURAL COLOR.
 ACTUATOR: PPS, 40% GF, UL 94V-0, BROWN COLOR.
 CONTACTS: PHOSPHOR BRONZE.
 TAB: PHOSPHOR BRONZE.
 - FINISH:
 CONTACTS: GOLD FLASH OVER 50μ" MIN. NICKEL ON ENTIRE CONTACT.
 TAB: 100μ" MIN. MATTE-TIN OVER 50μ" MIN. NICKEL.
 - REFLOW SOLDER CAPABLE TO 260°C AS PER TE SPEC. 109-201, CONDITION B.

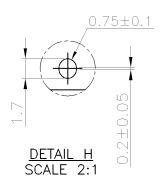
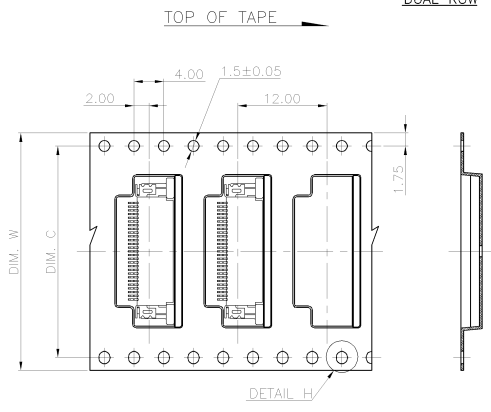
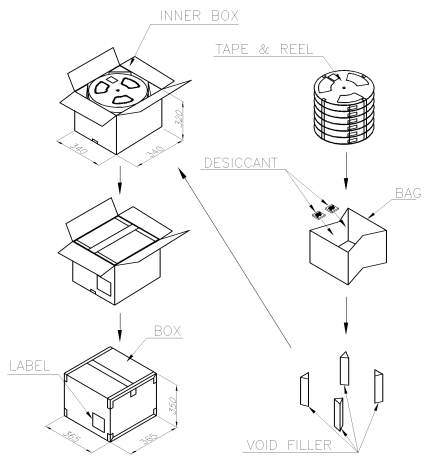
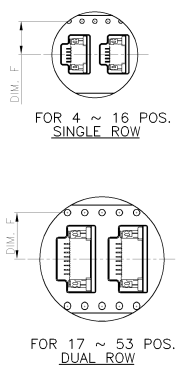
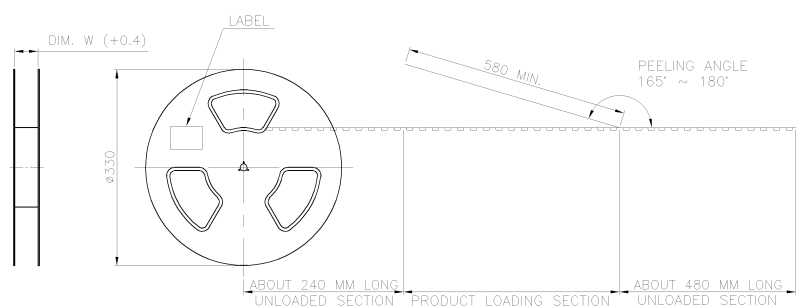
A	REVISED	ECR-08-022438	AW/SC	05SEP 2008
0	FIRST RELEASED	--	AW/SH	11AUG 2005
LTR	REVISION RECORD	ECN	DWG/CHK	DATE

TOLERANCES UNLESS OTHERWISE SPECIFIED:		DWN A. WU 27-JUL-2007		Tyco Electronics Corporation Taipei, Taiwan	
0 PLC ±		CHK S. HOU 27-JUL-2007		NAME	
1 PLC ±0.35		APVD W.J. KE 27-JUL-2007		FPC CONNECTOR, 0.5 PITCH, ZIF, TOP CONTACT	
2 PLC ±0.2		PRODUCT SPEC 108-57364		LOC SIZE DRAWING NO	
3 PLC ±		QUALIFICATION TEST REPORT 501-57461		DW A ₃ C-1734820	
ANGLES ±3°		WEIGHT SEE TABLE		SCALE -- SHEET 1 OF 2	
MATERIAL SEE NOTE		FINISH SEE NOTE		REV A	

0.58	26.0	31.01	27.10	53	5-1734820-3
0.57	25.5	30.51	26.60	52	5-1734820-2
0.56	25.0	30.01	26.10	51	5-1734820-1
0.56	24.5	29.51	25.60	50	5-1734820-0
0.55	24.0	29.01	25.10	49	4-1734820-9
0.54	23.5	28.51	24.60	48	4-1734820-8
0.53	23.0	28.01	24.10	47	4-1734820-7
0.52	22.5	27.51	23.60	46	4-1734820-6
0.51	22.0	27.01	23.10	45	4-1734820-5
0.50	21.5	26.51	22.60	44	4-1734820-4
0.49	21.0	26.01	22.10	43	4-1734820-3
0.48	20.5	25.51	21.60	42	4-1734820-2
0.47	20.0	25.01	21.10	41	4-1734820-1
0.46	19.5	24.51	20.60	40	4-1734820-0
0.45	19.0	24.01	20.10	39	3-1734820-9
0.45	18.5	23.51	19.60	38	3-1734820-8
0.44	18.0	23.01	19.10	37	3-1734820-7
0.43	17.5	22.51	18.60	36	3-1734820-6
0.42	17.0	22.01	18.10	35	3-1734820-5
0.41	16.5	21.51	17.60	34	3-1734820-4
0.40	16.0	21.01	17.10	33	3-1734820-3
0.39	15.5	20.51	16.60	32	3-1734820-2
0.38	15.0	20.01	16.10	31	3-1734820-1
0.37	14.5	19.51	15.60	30	3-1734820-0
0.36	14.0	19.01	15.10	29	2-1734820-9
0.35	13.5	18.51	14.60	28	2-1734820-8
0.34	13.0	18.01	14.10	27	2-1734820-7
0.33	12.5	17.51	13.60	26	2-1734820-6
0.33	12.0	17.01	13.10	25	2-1734820-5
0.32	11.5	16.51	12.60	24	2-1734820-4
0.31	11.0	16.01	12.10	23	2-1734820-3
0.30	10.5	15.51	11.60	22	2-1734820-2
0.29	10.0	15.01	11.10	21	2-1734820-1
0.28	9.5	14.51	10.60	20	2-1734820-0
0.27	9.0	14.01	10.10	19	1-1734820-9
0.26	8.5	13.51	9.60	18	1-1734820-8
0.25	8.0	13.01	9.10	17	1-1734820-7
0.24	7.5	12.51	8.60	16	1-1734820-6
0.23	7.0	12.01	8.10	15	1-1734820-5
0.22	6.5	11.51	7.60	14	1-1734820-4
0.22	6.0	11.01	7.10	13	1-1734820-3
0.21	5.5	10.51	6.60	12	1-1734820-2
0.20	5.0	10.01	6.10	11	1-1734820-1
0.19	4.5	9.51	5.60	10	1-1734820-0
0.18	4.0	9.01	5.10	9	1734820-9
0.17	3.5	8.51	4.60	8	1734820-8
0.16	3.0	8.01	4.10	7	1734820-7
0.15	2.5	7.51	3.60	6	1734820-6
0.14	2.0	7.01	3.10	5	1734820-5
0.13	1.5	6.51	2.60	4	1734820-4
WEIGHT (GRAMS)	C	B	A	NO. OF CONTACTS	PART NUMBER

NUMBER C-1734820
METRIC
3RD ANGLE PROJECTION

PRINT DIST DW
THIS INFORMATION IS CONFIDENTIAL AND IS DECIDED TO YOU ON CONDITION THAT NO FURTHER DISCLOSURE IS MADE BY YOU TO OTHER THAN AMP PERSONNEL WITHOUT DIMENSIONS IN MILLIMETERS. DO NOT SCALE PRINT.



SEE SHEET 1.	ECN	DWN/CHK	DATE
--------------	-----	---------	------

12.5	8.3	53
12.4	8.2	52
12.3	8.1	51
12.2	8.0	50
12.1	7.9	49
12.0	7.8	48
11.9	7.7	47
11.8	7.6	46
11.7	7.5	45
11.6	7.4	44
11.5	7.3	43
11.4	7.2	42
11.3	7.1	41
11.2	7.0	40
11.1	6.9	39
11.0	6.8	38
10.9	6.7	37
10.8	6.6	36
10.7	6.5	35
10.6	6.4	34
10.5	6.3	33
10.4	6.2	32
10.3	6.1	31
10.2	6.0	30
10.1	5.9	29
10.0	5.8	28
9.9	5.7	27
9.8	5.6	26
9.7	5.5	25
9.6	5.4	24
9.5	5.3	23
9.4	5.2	22
9.3	5.1	21
9.2	5.0	20
9.1	4.9	19
9.0	4.8	18
8.9	4.7	17
8.8	4.6	16
8.7	4.4	15
8.6	4.2	14
8.5	4.0	13
8.4	3.8	12
8.3	3.6	11
8.2	3.4	10
8.1	3.2	9
8.0	3.0	8
7.8	2.8	7
7.7	2.6	6
7.6	2.4	5
7.5	2.2	4

QUANTITY	PCS/TAPE	REELS/BOX	DIM C	DIM F	DIM W	C/W (Kg)	N/W (Kg)	NO. OF CONTACTS
12000 PCS	2000	6	40.4	20.2	44			
16000 PCS	2000	8	28.4	14.2	32			
20000 PCS	2000	10		11.5	24			

TOLERANCES UNLESS OTHERWISE SPECIFIED:	DWN	A. WU	27-JUL-2007
0 PLC	CHK	S. HOU	27-JUL-2007
1 PLC			
2 PLC			
3 PLC			
ANGLES			
MATERIAL	APVD	W.J. KE	27-JUL-2007
	PRODUCT SPEC		
FINISH	APPLICATION SPEC		
	WEIGHT		
		LOC	SIZE
		DW	A ₃
		DRAWING NO	C-1734820
		SCALE	
		SHEET	2 OF 2

CUSTOMER DRAWING