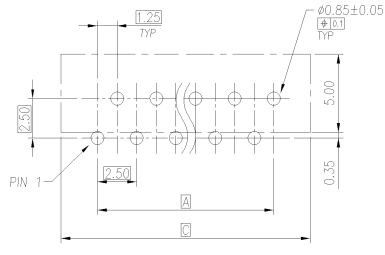
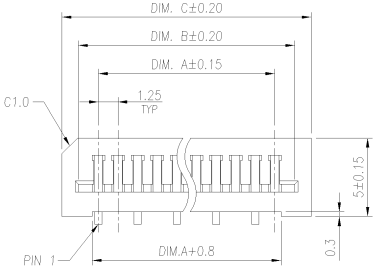


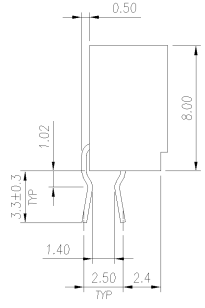
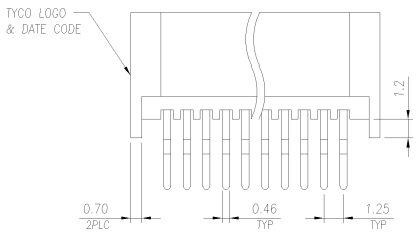
NUMBERS C-1734804

METRIC

PRINT DW



RECOMMENDED PCB LAYOUT  
PCB TOLERANCE: ±0.05



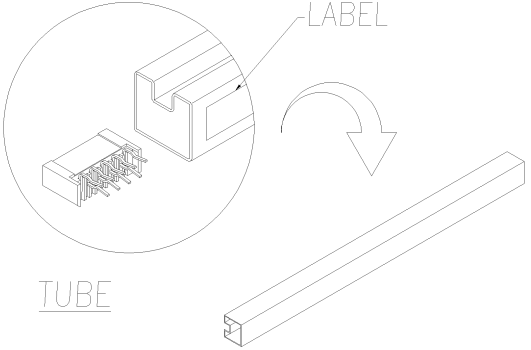
- NOTES:
- MATERIAL:
    - HOUSING: THERMOPLASTIC (PBT), UL94V-0; COLOR: BLACK.
    - CONTACTS: PHOSPHOR BRONZE.
  - FINISH: CONTACT:
    - 100µ" MIN. BRIGHT TIN PLATING
    - 50µ" MIN. NICKEL UNDERPLATING OVERALL.
  - RECOMMENDED PCB THICKNESS: 1.57mm.
  - WAVE SOLDER CAPABLE TO 265°C PER TYCO SPEC. 109-202, CONDITION B.

48.40	46.30	43.75	36	3-	-6
47.15	45.05	42.50	35	3-	-5
45.90	43.80	41.25	34	3-	-4
44.65	42.55	40.00	33	3-	-3
43.40	41.30	38.75	32	3-	-2
42.15	40.05	37.50	31	3-	-1
40.90	38.80	36.25	30	3-	-0
39.65	37.55	35.00	29	2-	-9
38.40	36.30	33.75	28	2-	-8
37.15	35.05	32.50	27	2-	-7
35.90	33.80	31.25	26	2-	-6
34.65	32.55	30.00	25	2-	-5
33.40	31.30	28.75	24	2-	-4
32.15	30.05	27.50	23	2-	-3
30.90	28.80	26.25	22	2-	-2
29.65	27.55	25.00	21	2-	-1
28.40	26.30	23.75	20	2-	-0
27.15	25.05	22.50	19	1-	-9
25.90	23.80	21.25	18	1-	-8
24.65	22.55	20.00	17	1-	-7
23.40	21.30	18.75	16	1-	-6
22.15	20.05	17.50	15	1-	-5
20.90	18.80	16.25	14	1-	-4
19.65	17.55	15.00	13	1-	-3
18.40	16.30	13.75	12	1-	-2
17.15	15.05	12.50	11	1-	-1
15.90	13.80	11.25	10	1-	-0
14.65	12.55	10.00	9		-9
13.40	11.30	8.75	8		-8
12.15	10.05	7.50	7		-7
10.90	8.80	6.25	6		-6
9.65	7.55	5.00	5		-5
8.40	6.30	3.75	4		-4
				1734804-4	

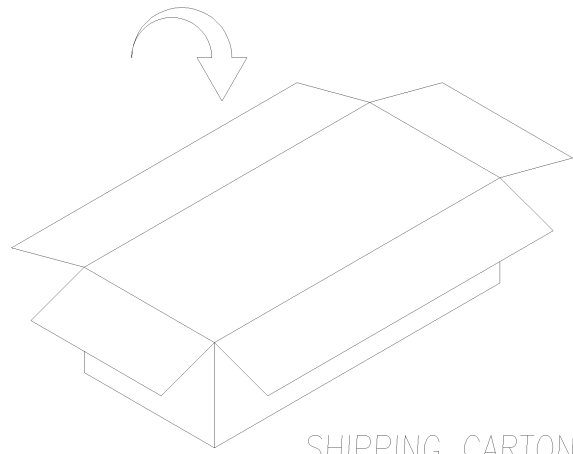
A	FIRST RELEASED	---	JL	02-MAR-2006
LTR	REVISION RECORD	ECN	DWN	DATE

TOLERANCES UNLESS OTHERWISE SPECIFIED: 0 PLC ± 1 PLC ±0.3 2 PLC ±0.2 3 PLC ±0.2 ANGLES ±3°	DWN J. LEE 22-MAR-2006	TYCO HOLDINGS (BERMUDA) VII LTD. TAIWAN BRANCH
MATERIAL: SEE NOTE	CHK S. HOU 22-MAR-2006	
FINISH: SEE NOTE	APVD W.J. KE 22-MAR-2006	FPC NON ZIF, VERTICAL 1.25 PITCH, DIP
	PRODUCT SPEC 108-57612	LOC DW A <sub>3</sub>
	QUALIFICATION TEST REPORT 507-57711	DRAWING NO C-1734804
	WEIGHT: SEE SHEET 2	SCALE: --
		SHEET 1 OF 2

CUSTOMER DRAWING



TUBE



SHIPPING CARTON

NOTES:  
 1. MATERIAL:  
 TUBE: PVC  
 CARTON: CORRUGATED PAPER  
 2. DIMENSION:  
 TUBE: L=636, W=15.2, H=10.6  
 CARTON: L=650, W=225, H=180  
 3. QUANTITY:  
 224 TUBES/SHIPPING BOX  
 DETAIL QUANTITY: SEE TABLE

POS. NO	PACKAGING QUANTITY (PCS)		NET WEIGHT(kg)	GROSS WEIGHT(kg)
	PER TUBE	SHIPPING BOX		
4	73	16352	6.61	11.78
5	63	14112	6.60	11.77
6	55	12320	6.67	11.84
7	50	11200	6.66	11.83
8	45	10080	6.55	11.72
9	41	9184	6.53	11.70
10	38	8512	6.60	11.77
11	35	7840	6.57	11.74
12	33	7392	6.67	11.84
13	31	6944	6.57	11.74
14	29	6496	6.62	11.79
15	27	6048	6.55	11.72
16	26	5824	6.67	11.84
17	24	5376	6.50	11.67
18	23	5152	6.51	11.68
19	22	4928	6.59	11.76
20	21	4704	6.54	11.71

POS. NO	PACKAGING QUANTITY (PCS)		NET WEIGHT(kg)	GROSS WEIGHT(kg)
	PER TUBE	SHIPPING BOX		
21	20	4480	6.47	11.64
22	19	4256	6.37	11.54
23	19	4256	6.73	11.90
24	18	4032	6.59	11.76
25	17	3808	6.46	11.63
26	17	3808	6.71	11.88
27	16	3584	6.54	11.71
28	15	3360	6.34	11.51
29	15	3360	6.56	11.73
30	14	3136	6.32	11.49
31	14	3136	6.52	11.69
32	14	3136	6.72	11.89
33	13	2912	6.42	11.59
34	13	2912	6.61	11.78
35	13	2912	6.79	11.96
36	12	2688	6.44	11.61

THIS INFORMATION IS CONFIDENTIAL AND IS DISCLOSED TO YOU ON CONDITION THAT YOU WILL NOT DISCLOSE IT TO ANY OTHER PERSONS WITHOUT THE WRITTEN PERMISSION FROM THE TAIWAN ELECTRONIC COMPONENTS MANUFACTURERS ASSOCIATION. DIMENSIONS IN MILLIMETERS. DO NOT SCALE PRINT.

PRINT DW

TOLERANCES UNLESS OTHERWISE SPECIFIED: 0 PLC ± 1 PLC ± 2 PLC ± 3 PLC ± ANGLES ±	DWN J. LEE 22-MAR-2006	<b>tyco</b> Electronics TYCO HOLDINGS (BERMUDA) VII LTD. TAIWAN BRANCH
MATERIAL SEE NOTE	CHK S. HOU 22-MAR-2006	NAME FPC NON ZIF, VERTICAL 1.25 PITCH, DIP
FINISH SEE NOTE	APVD W.J. KE 21-MAR-2005	LOC SIZE DW A <sub>3</sub>
	QUALIFICATION TEST REPORT	DRAWING NO C-1734804
	WEIGHT	SCALE --
		REV A
		SHEET 2 OF 2

SEE SHEET 1			
LTR	REVISION RECORD	ECN	DWN DATE

CUSTOMER DRAWING