

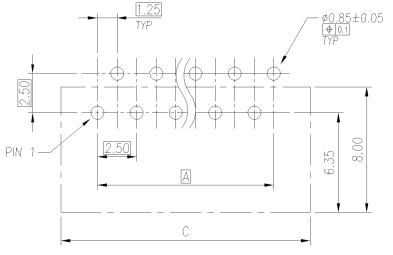
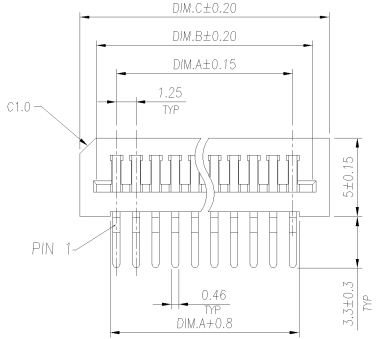
NUMBER C-1734803



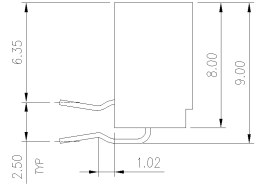
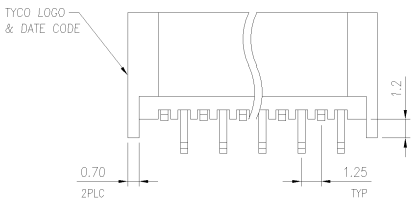
METRIC

DIMENSIONS IN MILLIMETERS. DO NOT SCALE PRINT.

PRINT DW



RECOMMENDED PCB LAYOUT  
PCB TOLERANCE: ±0.05



- NOTES:
- MATERIAL:
    - HOUSING: THERMOPLASTIC, (PBT), UL94V-0; COLOR: BLACK.
    - CONTACTS: PHOSPHOR BRONZE.
  - FINISH:
    - CONTACT:
      - 100µ" MIN. BRIGHT TIN PLATING
      - 50µ" MIN. NICKEL UNDERPLATING OVERALL.
  - RECOMMENDED PCB THICKNESS: 1.57mm.
  - WAVE SOLDER CAPABLE TO 265°C PER **TE Connectivity** SPEC. 109-202, CONDITION B.

48.40	46.30	43.75	36	3-	-6
47.15	45.05	42.50	35	3-	-5
45.90	43.80	41.25	34	3-	-4
44.65	42.55	40.00	33	3-	-3
43.40	41.30	38.75	32	3-	-2
42.15	40.05	37.50	31	3-	-1
40.90	38.80	36.25	30	3-	-0
39.65	37.55	35.00	29	2-	-9
38.40	36.30	33.75	28	2-	-8
37.15	35.05	32.50	27	2-	-7
35.90	33.80	31.25	26	2-	-6
34.65	32.55	30.00	25	2-	-5
33.40	31.30	28.75	24	2-	-4
32.15	30.05	27.50	23	2-	-3
30.90	28.80	26.25	22	2-	-2
29.65	27.55	25.00	21	2-	-1
28.40	26.30	23.75	20	2-	-0
27.15	25.05	22.50	19	1-	-9
25.90	23.80	21.25	18	1-	-8
24.65	22.55	20.00	17	1-	-7
23.40	21.30	18.75	16	1-	-6
22.15	20.05	17.50	15	1-	-5
20.90	18.80	16.25	14	1-	-4
19.65	17.55	15.00	13	1-	-3
18.40	16.30	13.75	12	1-	-2
17.15	15.05	12.50	11	1-	-1
15.90	13.80	11.25	10	1-	-0
14.65	12.55	10.00	9		-9
13.40	11.30	8.75	8		-8
12.15	10.05	7.50	7		-7
10.90	8.80	6.25	6		-6
9.65	7.55	5.00	5		-5
8.40	6.30	3.75	4		-4
					1734803-4

A1	REVISED PER ECO-11-005301	RK HMR SAPR11
LTR	REVISION RECORD	DATE

TOLERANCES UNLESS OTHERWISE SPECIFIED: 0 PLC ± 1 PLC ±0.3 2 PLC ±0.2 3 PLC ±0.2 ANGLES ±3°	DWN J. LEE 22-MAR-2006	TE Connectivity
MATERIAL: SEE NOTE	APVD W.J. KE 22-MAR-2006	NAME: FPC NON ZIF, RIGHT ANGLE 1.25 PITCH, DIP
FINISH: SEE NOTE	QUALIFICATION TEST REPORT 507-5771.1	LOC DW A <sub>3</sub> DRAWING NO C-1734803 REV A1
WEIGHT: SEE SHEET 2	SCALE: --	SHEET 1 OF 2

CUSTOMER DRAWING

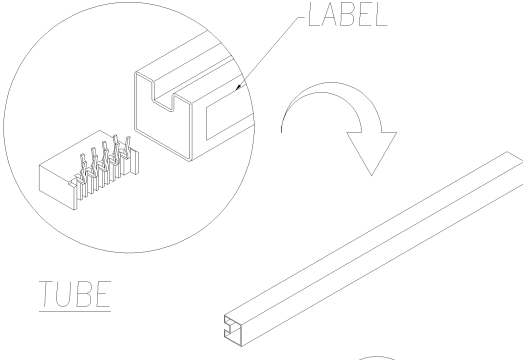
NUMBER C-1734803



METRIC

PRINT DW DIMENSIONS IN MILLIMETERS. DO NOT SCALE PRINT.

PRINT DW



TUBE

LABEL

SHIPPING CARTON

- NOTES:
- MATERIAL:  
TUBE: PVC  
CARTON: CORRUGATED PAPER
  - DIMENSION:  
TUBE: L=636, W=15.2, H=10.6  
CARTON: L=650, W=225, H=180
  - QUANTITY:  
224 TUBES/SHIPPING BOX  
DETAIL QUANTITY: SEE TABLE

POS. NO	PACKAGING QUANTITY (PCS)		NET WEIGHT(kg)	GROSS WEIGHT(kg)
	PER TUBE	SHIPPING BOX		
4	73	16352	6.61	11.78
5	63	14112	6.60	11.77
6	55	12320	6.67	11.84
7	50	11200	6.66	11.83
8	45	10080	6.55	11.72
9	41	9184	6.53	11.70
10	38	8512	6.60	11.77
11	35	7840	6.57	11.74
12	33	7392	6.67	11.84
13	31	6944	6.57	11.74
14	29	6496	6.62	11.79
15	27	6048	6.55	11.72
16	26	5824	6.67	11.84
17	24	5376	6.50	11.67
18	23	5152	6.51	11.68
19	22	4928	6.59	11.76
20	21	4704	6.54	11.71

POS. NO	PACKAGING QUANTITY (PCS)		NET WEIGHT(kg)	GROSS WEIGHT(kg)
	PER TUBE	SHIPPING BOX		
21	20	4480	6.47	11.64
22	19	4256	6.37	11.54
23	19	4256	6.73	11.90
24	18	4032	6.59	11.76
25	17	3808	6.46	11.63
26	17	3808	6.71	11.88
27	16	3584	6.54	11.71
28	15	3360	6.34	11.51
29	15	3360	6.56	11.73
30	14	3136	6.32	11.49
31	14	3136	6.52	11.69
32	14	3136	6.72	11.89
33	13	2912	6.42	11.59
34	13	2912	6.61	11.78
35	13	2912	6.79	11.96
36	12	2688	6.44	11.61

TOLERANCES UNLESS OTHERWISE SPECIFIED: 0 PLC ± 1 PLC ± 2 PLC ± 3 PLC ± ANGLES ±	DWN J. LEE 22-MAR-2006	IE Connectivity NAME FPC NON ZIF, RIGHT ANGLE 1.25 PITCH, DIP
MATERIAL SEE NOTE	CHK S. HOU 22-MAR-2006	
FINISH SEE NOTE	APVD W.J. KE 21-MAR-2005	LOC SIZE DRAWING NO DW A <sub>3</sub> C-1734803
	PRODUCT SPEC	SCALE SHEET -- 2 OF 2
	QUALIFICATION TEST REPORT	REV A1
	WEIGHT	

LTR	REVISION RECORD	SEE SHEET 1	DWN DATE
		ECO	

CUSTOMER DRAWING