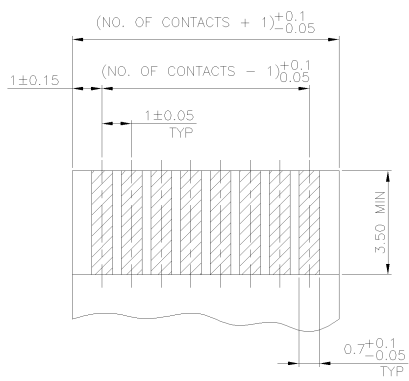
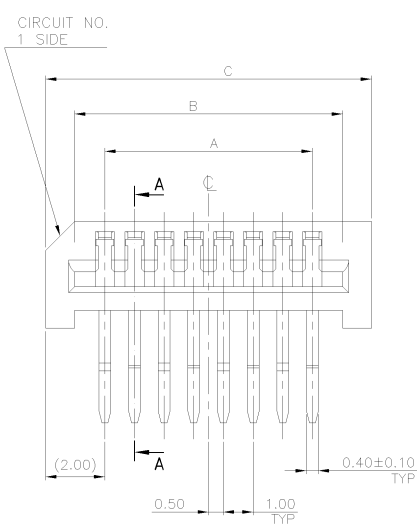
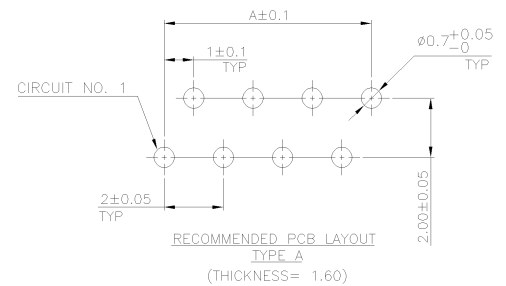


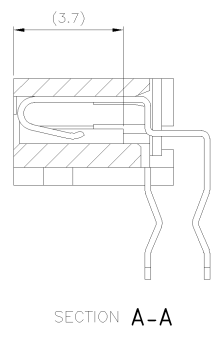
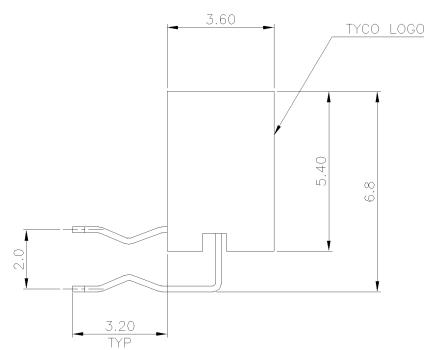
NUMBER C-1734780
METRIC
3RD ANGLE PROJECTION



RECOMMENDED FPC LAYOUT
(THICKNESS= 0.3±0.05)



0.77g	33.00	31.05	29.00	30	3-1734780-0
0.74g	32.00	30.05	28.00	29	2-1734780-9
0.72g	31.00	29.05	27.00	28	2-1734780-8
0.69g	30.00	28.05	26.00	27	2-1734780-7
0.67g	29.00	27.05	25.00	26	2-1734780-6
0.64g	28.00	26.05	24.00	25	2-1734780-5
0.61g	27.00	25.05	23.00	24	2-1734780-4
0.59g	26.00	24.05	22.00	23	2-1734780-3
0.57g	25.00	23.05	21.00	22	2-1734780-2
0.55g	24.00	22.05	20.00	21	2-1734780-1
0.53g	23.00	21.05	19.00	20	2-1734780-0
0.51g	22.00	20.05	18.00	19	1-1734780-9
0.49g	21.00	19.05	17.00	18	1-1734780-8
0.47g	20.00	18.05	16.00	17	1-1734780-7
0.45g	19.00	17.05	15.00	16	1-1734780-6
0.43g	18.00	16.05	14.00	15	1-1734780-5
0.41g	17.00	15.05	13.00	14	1-1734780-4
0.38g	16.00	14.05	12.00	13	1-1734780-3
0.36g	15.00	13.05	11.00	12	1-1734780-2
0.34g	14.00	12.05	10.00	11	1-1734780-1
0.32g	13.00	11.05	9.00	10	1-1734780-0
0.30g	12.00	10.05	8.00	9	1734780-9
0.28g	11.00	9.05	7.00	8	1734780-8
0.26g	10.00	8.05	6.00	7	1734780-7
0.24g	9.00	7.05	5.00	6	1734780-6
0.22g	8.00	6.05	4.00	5	1734780-5
0.20g	7.00	5.05	3.00	4	1734780-4
WEIGHT	C	B	A	NO. OF CONTACTS	PART NUMBER



- NOTE:
- MATERIAL:
HOUSING: THERMOPLASTIC UL94V-0, COLOR: BLACK.
CONTACTS: PHOSPHOR BRONZE.
 - FINISH:
CONTACTS: 120µm MIN. MATTE-TIN OVER 50µm MIN. NICKEL PLATED.
 - WAVE SOLDER CAPABLE TO 265°C AS PER TYCO SPEC. 109-202, CONDITION B.

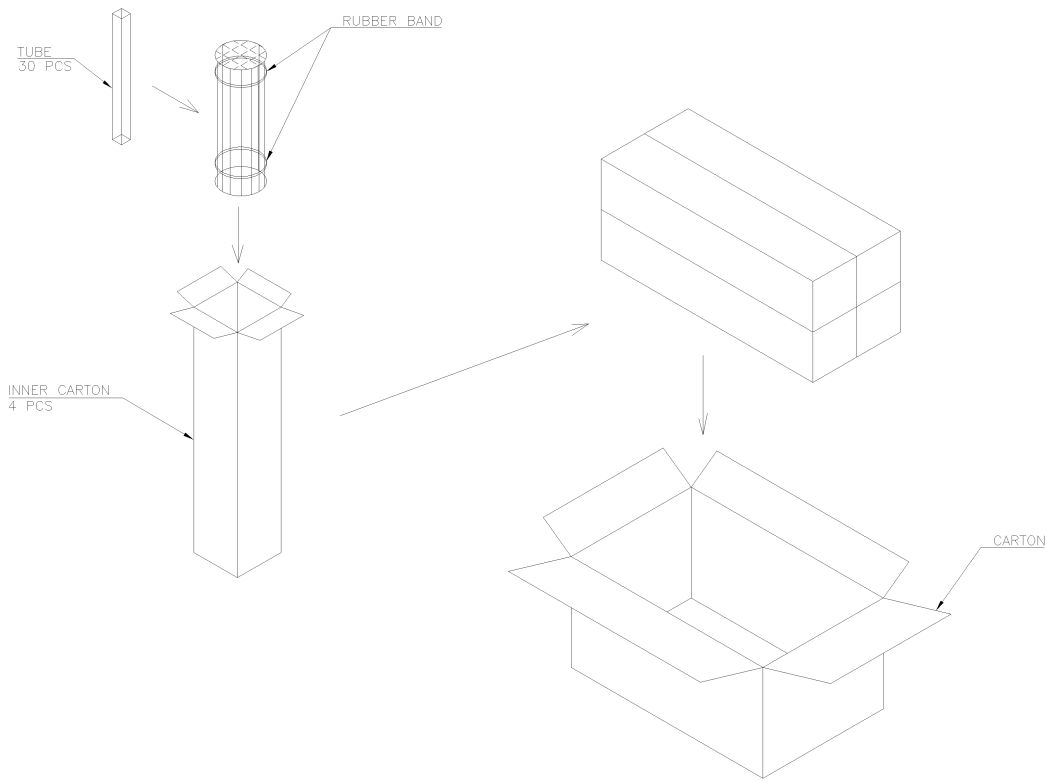
D	FIRST RELEASED	--	AW	11 JUL 2005
LTR	REVISION RECORD	ECN	AW	DATE

TOLERANCES UNLESS OTHERWISE SPECIFIED:	DWN	A. WU	TYCO HOLDINGS (BERMUDA)
0 PLC ±0.5	11-JUL-2005	11-JUL-2005	VII LTD. TAIWAN BRANCH
1 PLC ±0.38	CHK	S. HGU	NAME
2 PLC ±0.25	11-JUL-2005	11-JUL-2005	tyco Electronics
3 PLC ±0.15			
ANGLES ±5°			
MATERIAL	APVD	W.J. KE	FPC CONNECTOR, 1.0 PITCH, NON-ZIF, RIGHT ANGLE, TOP CONTACT, TYPE A
SEE NOTE	PRODUCT SPEC	108-57354	
FINISH	QUALIFICATION TEST REPORT	501-57449	LOC DW A ₃ SIZE C-1734780 REV O
SEE NOTE	WEIGHT	SEE TABLE	SCALE -- SHEET 1 OF 2

CUSTOMER DRAWING

THIS INFORMATION IS CONFIDENTIAL AND IS DECIDED TO YOU ON CONDITION THAT NO FURTHER DISCLOSURE IS MADE BY YOU TO OTHER THAN AMP PERSONNEL WITHOUT DIMENSIONS IN MILLIMETERS. DO NOT SCALE PRINT.

NUMBER C-1734780
METRIC
3RD ANGLE PROJECTION



NOTE:
1. CARTON DIMENSIONS: 682 X 178 X 178

4320	8.23Kg	3.30Kg	30
4560	8.31Kg	3.39Kg	29
4800	8.36Kg	3.44Kg	28
4800	8.24Kg	3.32Kg	27
5040	8.29Kg	3.37Kg	26
5280	8.27Kg	3.35Kg	25
5280	8.16Kg	3.24Kg	24
5520	8.20Kg	3.27Kg	23
5760	8.22Kg	3.29Kg	22
6000	8.23Kg	3.31Kg	21
6480	8.36Kg	3.43Kg	20
6720	8.34Kg	3.42Kg	19
6960	8.40Kg	3.40Kg	18
7440	8.40Kg	3.47Kg	17
7680	8.37Kg	3.44Kg	16
8160	8.39Kg	3.46Kg	15
8640	8.41Kg	3.49Kg	14
9120	8.44Kg	3.51Kg	13
9840	8.49Kg	3.57Kg	12
10560	8.53Kg	3.61Kg	11
11280	8.56Kg	3.64Kg	10
12240	8.61Kg	3.68Kg	9
13200	8.63Kg	3.71Kg	8
14640	8.73Kg	3.81Kg	7
16320	8.81Kg	3.89Kg	6
18240	8.90Kg	3.89Kg	5
20880	9.10Kg	4.18Kg	4
QUANTITY (PCS)	GROSS WEIGHT	NET WEIGHT	NO. OF CONTACTS

THIS INFORMATION IS CONFIDENTIAL AND IS DECIDED TO YOU ON CONDITION THAT NO FURTHER DISCLOSURE IS MADE BY YOU TO OTHER THAN AMP PERSONNEL WITHOUT DIMENSIONS IN MILLIMETERS. DO NOT SCALE PRINT.

TOLERANCES UNLESS OTHERWISE SPECIFIED: 0 PLC ± 1 PLC ± 2 PLC ± 3 PLC ± ANGLES ±	DWN A. WU 11-JUL-2005 CHK S. HGU 11-JUL-2005	A. WU 11-JUL-2005 S. HGU 11-JUL-2005	tyco Electronics TYCO HOLDINGS (BERMUDA) VII LTD. TAIWAN BRANCH
MATERIAL -	APVD W.J. KE 11-JUL-2005	PRODUCT SPEC	FPC CONNECTOR, 1.0 PITCH, NON-ZIF, RIGHT ANGLE, TOP CONTACT, TYPE A
FINISH -	APPLICATION SPEC	LOC DW	SIZE A ₃
	WEIGHT	DRAWING NO C-1734780	REV O
		SCALE --	SHEET 2 OF 2

SEE SHEET 1	ECN	DATE
LTR	REVISION RECORD	DATE

CUSTOMER DRAWING