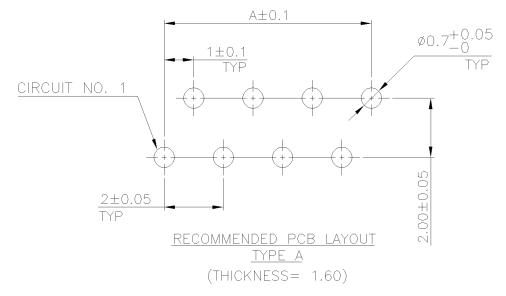
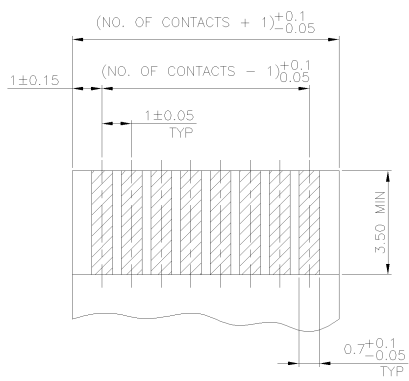
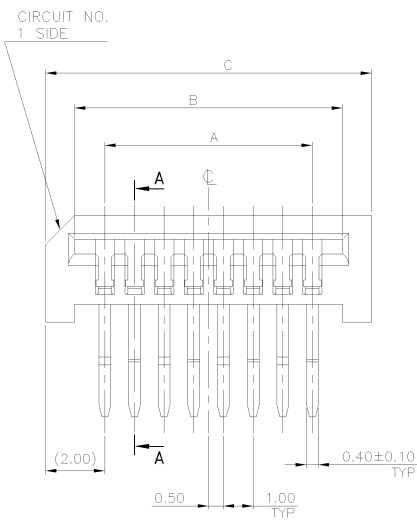


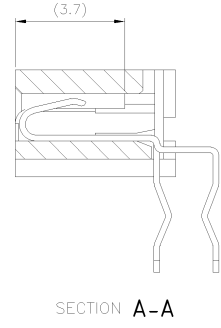
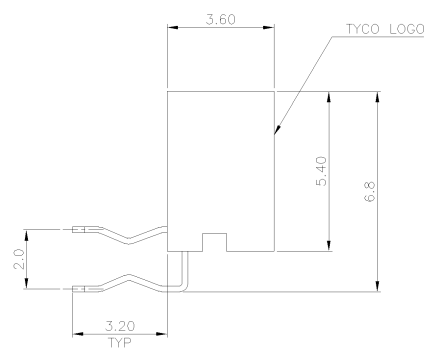
NUMBER C-1734778
METRIC
3RD ANGLE PROJECTION



RECOMMENDED FPC LAYOUT
(THICKNESS= 0.3±0.05)

RECOMMENDED PCB LAYOUT
TYPE A
(THICKNESS= 1.60)

0.77g	33.00	31.05	29.00	30	3-1734778-0
0.74g	32.00	30.05	28.00	29	2-1734778-9
0.72g	31.00	29.05	27.00	28	2-1734778-8
0.69g	30.00	28.05	26.00	27	2-1734778-7
0.67g	29.00	27.05	25.00	26	2-1734778-6
0.64g	28.00	26.05	24.00	25	2-1734778-5
0.61g	27.00	25.05	23.00	24	2-1734778-4
0.59g	26.00	24.05	22.00	23	2-1734778-3
0.57g	25.00	23.05	21.00	22	2-1734778-2
0.55g	24.00	22.05	20.00	21	2-1734778-1
0.53g	23.00	21.05	19.00	20	2-1734778-0
0.51g	22.00	20.05	18.00	19	1-1734778-9
0.49g	21.00	19.05	17.00	18	1-1734778-8
0.47g	20.00	18.05	16.00	17	1-1734778-7
0.45g	19.00	17.05	15.00	16	1-1734778-6
0.43g	18.00	16.05	14.00	15	1-1734778-5
0.41g	17.00	15.05	13.00	14	1-1734778-4
0.38g	16.00	14.05	12.00	13	1-1734778-3
0.36g	15.00	13.05	11.00	12	1-1734778-2
0.34g	14.00	12.05	10.00	11	1-1734778-1
0.32g	13.00	11.05	9.00	10	1-1734778-0
0.30g	12.00	10.05	8.00	9	1734778-9
0.28g	11.00	9.05	7.00	8	1734778-8
0.26g	10.00	8.05	6.00	7	1734778-7
0.24g	9.00	7.05	5.00	6	1734778-6
0.22g	8.00	6.05	4.00	5	1734778-5
0.20g	7.00	5.05	3.00	4	1734778-4
WEIGHT	C	B	A	NO. OF CONTACTS	PART NUMBER



SECTION A-A

- NOTE:
- MATERIAL:
HOUSING: THERMOPLASTIC UL94V-0, COLOR: BLACK.
CONTACTS: PHOSPHOR BRONZE.
 - FINISH:
CONTACTS: 120µ" MIN. MATTE-TIN OVER 50µ" MIN. NICKEL PLATED.
 - WAVE SOLDER CAPABLE TO 265°C AS PER TYCO SPEC. 109-202, CONDITION B.

D	FIRST RELEASED	--	AW	11 JUL 2005
LTR	REVISION RECORD	ECN	DWS	DATE

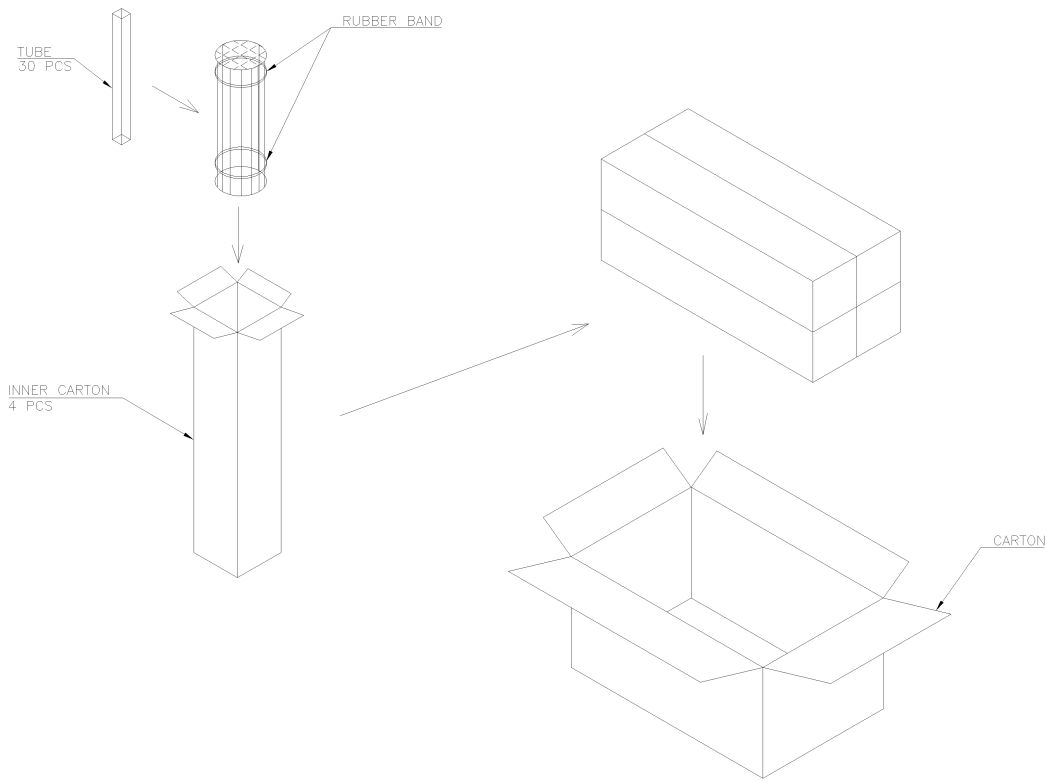
TOLERANCES UNLESS OTHERWISE SPECIFIED:	DWN	A. WU	TYCO HOLDINGS (BERMUDA) VII LTD. TAIWAN BRANCH
0 PLC ±0.5	11-JUL-2005	11-JUL-2005	
1 PLC ±0.38	CHK	S. HGU	
2 PLC ±0.25		11-JUL-2005	
3 PLC ±0.15			
ANGLES ±5°			
MATERIAL	APVD	W.J. KE	NAME
SEE NOTE		11-JUL-2005	
FINISH	QUALIFICATION TEST REPORT	LOC	SIZE
SEE NOTE	501-57449	DW	A ₃
	WEIGHT	SCALE	DRAWING NO
	SEE TABLE	--	C-1734778
			REV
			O
			SHEET
			1 OF 2

CUSTOMER DRAWING

PRINT DIST
DW

THIS INFORMATION IS CONFIDENTIAL AND IS RELEASED TO YOU ON CONDITION THAT NO FURTHER DISCLOSURE IS MADE BY YOU TO OTHER THAN AMP PERSONNEL WITHOUT DIMENSIONS IN MILLIMETERS. DO NOT SCALE PRINT.

NUMBER C-1734778
 METRIC
 3RD ANGLE PROJECTION



NOTE:
 1. CARTON DIMENSIONS: 682 X 178 X 178

Quantity (PCS)	Gross Weight	Net Weight	No. of Contacts
4320	8.23Kg	3.30Kg	30
4560	8.31Kg	3.39Kg	29
4800	8.36Kg	3.44Kg	28
4800	8.24Kg	3.32Kg	27
5040	8.29Kg	3.37Kg	26
5280	8.27Kg	3.35Kg	25
5280	8.16Kg	3.24Kg	24
5520	8.20Kg	3.27Kg	23
5760	8.22Kg	3.29Kg	22
6000	8.23Kg	3.31Kg	21
6480	8.36Kg	3.43Kg	20
6720	8.34Kg	3.42Kg	19
6960	8.40Kg	3.40Kg	18
7440	8.40Kg	3.47Kg	17
7680	8.37Kg	3.44Kg	16
8160	8.39Kg	3.46Kg	15
8640	8.41Kg	3.49Kg	14
9120	8.44Kg	3.51Kg	13
9840	8.49Kg	3.57Kg	12
10560	8.53Kg	3.61Kg	11
11280	8.56Kg	3.64Kg	10
12240	8.61Kg	3.68Kg	9
13200	8.63Kg	3.71Kg	8
14640	8.73Kg	3.81Kg	7
16320	8.81Kg	3.89Kg	6
18240	8.90Kg	3.89Kg	5
20880	9.10Kg	4.18Kg	4

THIS INFORMATION IS CONFIDENTIAL AND IS DECIDED TO YOU ON CONDITION THAT NO FURTHER DISCLOSURE IS MADE BY YOU TO OTHER THAN AMP PERSONNEL WITHOUT DIMENSIONS IN MILLIMETERS. DO NOT SCALE PRINT.

TOLERANCES UNLESS OTHERWISE SPECIFIED: 0 PLC ± 1 PLC ± 2 PLC ± 3 PLC ± ANGLES ±	DWN A. WU 11-JUL-2005	A. WU 11-JUL-2005	tyco TYCO HOLDINGS (BERMUDA) VII LTD. TAIWAN BRANCH
MATERIAL -	CHK S. HGU 11-JUL-2005	APVD W.J. KE 11-JUL-2005	NAME FPC CONNECTOR, 1.0 PITCH, NON-ZIF, RIGHT ANGLE, BOTTOM CONTACT, TYPE A
FINISH -	APPLICATION SPEC	LOC DW	SIZE A ₃
LTR SEE SHEET 1	REVISION RECORD	ECN	DRAWING NO C-1734778
DATE	DATE	SCALE --	REV O
		SHEET 2 OF 2	

LTR	REVISION RECORD	ECN	DWN/CHK	DATE
-----	-----------------	-----	---------	------

CUSTOMER DRAWING 1