

0.52g	25.70	24.90	20.65	19.50	40	4-1734741-0
0.51g	25.20	24.40	20.15	19.00	39	3-1734741-9
0.50g	24.70	23.90	19.65	18.50	38	3-1734741-8
0.49g	24.20	23.40	19.15	18.00	37	3-1734741-7
0.48g	23.70	22.90	18.65	17.50	36	3-1734741-6
0.46g	23.20	22.40	18.15	17.00	35	3-1734741-5
0.45g	22.70	21.90	17.65	16.50	34	3-1734741-4
0.44g	22.20	21.40	17.15	16.00	33	3-1734741-3
0.43g	21.70	20.90	16.65	15.50	32	3-1734741-2
0.42g	21.20	20.40	16.15	15.00	31	3-1734741-1
0.41g	20.70	19.90	15.65	14.50	30	3-1734741-0
0.40g	20.20	19.40	15.15	14.00	29	2-1734741-9
0.39g	19.70	18.90	14.65	13.50	28	2-1734741-8
0.38g	19.20	18.40	14.15	13.00	27	2-1734741-7
0.37g	18.70	17.90	13.65	12.50	26	2-1734741-6
0.36g	18.20	17.40	13.15	12.00	25	2-1734741-5
0.34g	17.70	16.90	12.65	11.50	24	2-1734741-4
0.33g	17.20	16.40	12.15	11.00	23	2-1734741-3
0.32g	16.70	15.90	11.65	10.50	22	2-1734741-2
0.31g	16.20	15.40	11.15	10.00	21	2-1734741-1
0.30g	15.70	14.90	10.65	9.50	20	2-1734741-0
0.29g	15.20	14.40	10.15	9.00	19	1-1734741-9
0.28g	14.70	13.90	9.65	8.50	18	1-1734741-8
0.27g	14.20	13.40	9.15	8.00	17	1-1734741-7
0.26g	13.70	12.90	8.65	7.50	16	1-1734741-6
0.25g	13.20	12.40	8.15	7.00	15	1-1734741-5
0.24g	12.70	11.90	7.65	6.50	14	1-1734741-4
0.22g	12.20	11.40	7.15	6.00	13	1-1734741-3
0.21g	11.70	10.90	6.65	5.50	12	1-1734741-2
0.20g	11.20	10.40	6.15	5.00	11	1-1734741-1
0.19g	10.70	9.90	5.65	4.50	10	1-1734741-0
0.18g	10.20	9.40	5.15	4.00	9	1734741-9
0.17g	9.70	8.90	4.65	3.50	8	1734741-8
0.16g	9.20	8.40	4.15	3.00	7	1734741-7
0.15g	8.70	7.90	3.65	2.50	6	1734741-6

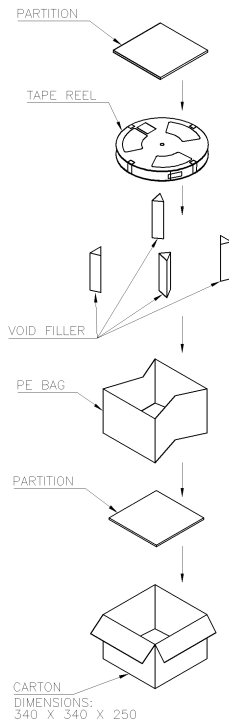
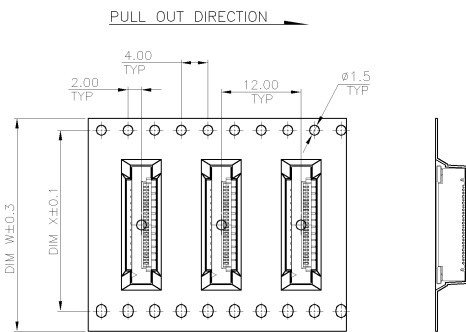
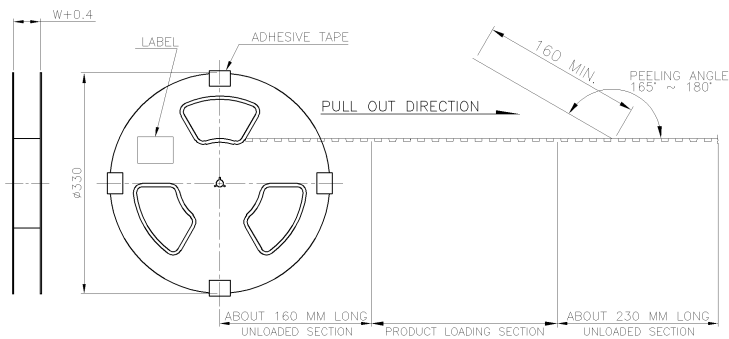
- NOTE:
- MATERIAL:  
HOUSING: THERMOPLASTIC WITH 33% GF, UL 94V-0, BLACK COLOR.  
ACTUATOR: THERMOPLASTIC, UL 94V-0, BROWN COLOR.  
CONTACTS: PHOSPHOR BRONZE.  
TABS: BRASS.
  - FINISH:  
CONTACTS: GOLD FLASH OVER 50μ" MIN. NICKEL ON ENTIRE CONTACT.  
TABS: 120μ" MIN. MATTE-TIN OVER 50μ" MIN. NICKEL.
  - REFLOW SOLDER CAPABLE TO 260°C AS PER TYCO SPEC. 109-201, CONDITION B.
  - NO TYCO LOGO AND DATE CODE ON THE PRODUCT.

TOLERANCES UNLESS OTHERWISE SPECIFIED: 0 PLC ±0.2 1 PLC ±0.1 2 PLC ±0.1 3 PLC ±0.05 ANGLES ±3°	DWN	A. WU 01-DEC-2005	TYCO HOLDINGS (BERMUDA) VII LTD. TAIWAN BRANCH
	CHK	S. HOU 01-DEC-2005	
MATERIAL	APVD	W.J. KE 01-DEC-2005	FPC/FFC CONN., 0.5 MM PITCH, ZIF, VERTICAL, SMT, TYPE B
	PRODUCT SPEC	108-57324	
FINISH	QUALIFICATION TEST REPORT	501-57364	LOC DW A <sub>3</sub> C-1734741
	WEIGHT	-	SCALE -- SHEET 1 OF 2

0	FIRST RELEASED	--	AW	01DEC
LTR	REVISION RECORD	ECN	DWN	DATE

PRINT DIST  
DW

NUMBER C-1734741  
METRIC  
3RD ANGLE PROJECTION



PCS/REEL	REELS/CARTON	QUANTITY	DIM W	DIM X	G/W (KG)	N/W (KG)	NO. OF CONTACTS
					4.61	2.08	40
					4.57	2.04	39
					4.53	2.00	38
					4.49	1.96	37
					4.45	1.92	36
					4.37	1.84	35
					4.33	1.80	34
					4.29	1.76	33
					4.25	1.72	32
					4.21	1.68	31
					6.05	2.46	30
					5.99	2.40	29
					5.93	2.34	28
					5.87	2.28	27
					5.81	2.22	26
					5.75	2.16	25
					5.63	2.04	24
					5.57	1.98	23
					5.51	1.92	22
					5.45	1.86	21
					5.58	2.10	20
					5.51	2.03	19
					5.44	1.96	18
					5.37	1.89	17
					5.30	1.82	16
					5.23	1.75	15
					5.16	1.68	14
					5.02	1.54	13
					4.95	1.47	12
					4.88	1.40	11
					4.81	1.33	10
					4.74	1.26	9
					4.67	1.19	8
					4.60	1.12	7
					4.53	1.05	6

THIS INFORMATION IS CONFIDENTIAL AND IS DISCLOSED TO YOU ON CONDITION THAT NO FURTHER DISCLOSURE IS MADE BY YOU TO OTHER THAN AMP PERSONNEL WITHOUT DIMENSIONS IN MILLIMETERS. DO NOT SCALE PRINT.

TOLERANCES UNLESS OTHERWISE SPECIFIED:		DWN	A. WU	<b>tyco</b>	TYCO HOLDINGS (BERMUDA)
0	PLC	±	01-DEC-2005	Electronics	VII LTD. TAIWAN BRANCH
1	PLC	±		NAME	
2	PLC	±	S. HOU		
3	PLC	±	01-DEC-2005		
	ANGLES	±			
MATERIAL		APVD	W.J. KE	FPC/FFC CONN., 0.5 MM PITCH, ZIF, VERTICAL, SMT, TYPE B	
			01-DEC-2005		
FINISH		APPLICATION SPEC		LOC	SIZE
				DW	A <sub>3</sub>
		WEIGHT		DRAWING NO	C-1734741
				SCALE	
				SHEET	2 OF 2

SEE SHEET 1.			
LTR	REVISION RECORD	ECN	DWN/CHK DATE

8 7 6 5 4 3 2 1 CUSTOMER DRAWING