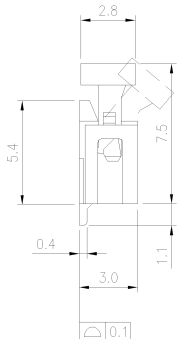
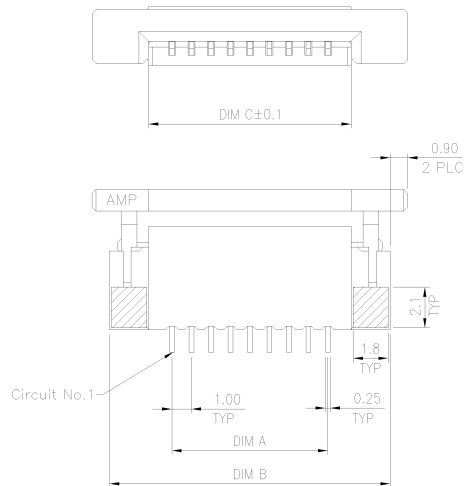


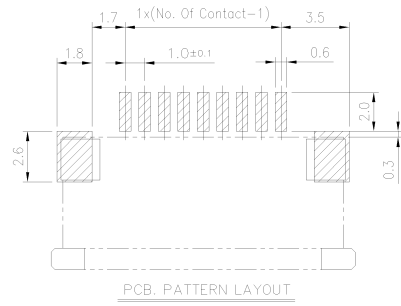
NUMBER C-1734417

METRIC

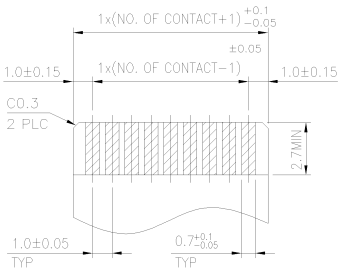
PRINT DW



ALL OF SOLDERTAILS AND SOLDERPEGS



41.4	45.6	39.0	40	4-1734417-0
40.4	44.6	38.0	39	3-1734417-9
39.4	43.6	37.0	38	3-1734417-8
38.4	42.6	36.0	37	3-1734417-7
37.4	41.6	35.0	36	3-1734417-6
36.4	40.6	34.0	35	3-1734417-5
35.4	39.6	33.0	34	3-1734417-4
34.4	38.6	32.0	33	3-1734417-3
33.4	37.6	31.0	32	3-1734417-2
32.4	36.6	30.0	31	3-1734417-1
31.4	35.6	29.0	30	3-1734417-0
30.4	34.6	28.0	29	2-1734417-9
29.4	33.6	27.0	28	2-1734417-8
28.4	32.6	26.0	27	2-1734417-7
27.4	31.6	25.0	26	2-1734417-6
26.4	30.6	24.0	25	2-1734417-5
25.4	29.6	23.0	24	2-1734417-4
24.4	28.6	22.0	23	2-1734417-3
23.4	27.6	21.0	22	2-1734417-2
22.4	26.6	20.0	21	2-1734417-1
21.4	25.6	19.0	20	2-1734417-0
20.4	24.6	18.0	19	1-1734417-9
19.4	23.6	17.0	18	1-1734417-8
18.4	22.6	16.0	17	1-1734417-7
17.4	21.6	15.0	16	1-1734417-6
16.4	20.6	14.0	15	1-1734417-5
15.4	19.6	13.0	14	1-1734417-4
14.4	18.6	12.0	13	1-1734417-3
13.4	17.6	11.0	12	1-1734417-2
12.4	16.6	10.0	11	1-1734417-1
11.4	15.6	9.0	10	1-1734417-0
10.4	14.6	8.0	9	1734417-9
9.4	13.6	7.0	8	1734417-8
8.4	12.6	6.0	7	1734417-7
7.4	11.6	5.0	6	1734417-6
6.4	10.6	4.0	5	1734417-5
5.4	9.6	3.0	4	1734417-4
4.4	8.6	2.0	3	1734417-3



APPLICABLE FPC RECOMMENDED DIMENSION (THICKNESS:0.3±0.05)

- NOTES:
- PRODUCT MET TYCO SPEC.: 230-702
1. MATERIAL:
- 1.1 HOUSING: THERMOPLASTIC (NYLON 9T) HIGH TEMP., UL94V-0; COLOR:BLACK.
- 1.2 ACTUATOR: THERMOPLASTIC (NYLON 9T) HIGH TEMP., UL94V-0; COLOR:BLACK.
- 1.3 CONTACTS/SOLDER PEG: COPPER ALLOY
2. FINISH:
- 2.1 CONTACT: GOLD FLASH PLATING ENTIRE, 50μ" MIN. NICKEL UNDERPLATING OVERALL.
- 2.2 SOLDER PEG: GOLD FLASH PLATING ENTIRE, 50μ" MIN. NICKEL UNDERPLATING OVERALL.
3. REFLOW SOLDER CAPABLE TO 260°C PER TYCO SPEC. 109-201, CONDITION B.

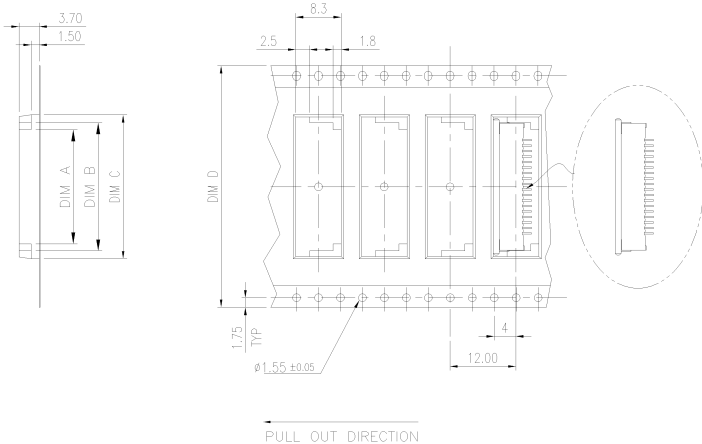
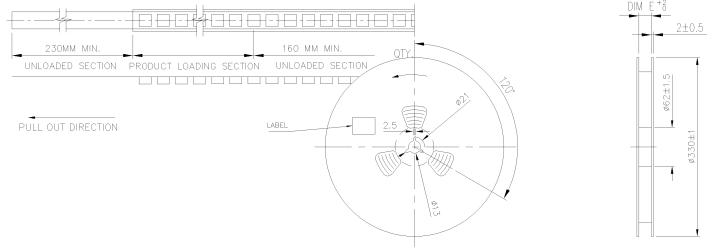
TOLERANCES UNLESS OTHERWISE SPECIFIED: 0 PLC ±0.5 1 PLC ±0.25 2 PLC ±0.15 3 PLC ±0.1 ANGLES ±3°	DWN H. HUANG 30-OCT-2006	tyco Electronics TYCO HOLDINGS (BERMUDA) VII LTD. TAIWAN BRANCH
MATERIAL: SEE NOTE	CHK S. HOU 30-OCT-2006	NAME
FINISH: SEE NOTE	APVD W.J. KE 30-OCT-2006	1.0 MM PITCH FPC, R/A BOTTOM CONTACT, SMT TYPE.
	PRODUCT SPEC 10B-57632	LOC DW A
	QUALIFICATION TEST REPORT 501-57737	SIZE A
	WEIGHT --	DRAWING NO C-1734417
		REV A
		SHEET 1 OF 2

A	FIRST RELEASED	--	HH	30OCT 2006
LTR	REVISION RECORD	ECN	DWN	DATE

CUSTOMER DRAWING

NUMBER  
C-1734417

METRIC  
3RD ANGLE PROJECTION



NOTES:  
 1. MATERIAL :  
 1.1 EMBOSSED CARRIER: PS  
 1.2 COVER TAPE: PS  
 1.3 SHIPPING CARTON: CORRUGATED FIBER  
 2. DIMENSION :  
 2.1 SHIPPING CARTON: L=340, W=340, H=250  
 3. QUANTITY :  
 3.1 PRIMARY PACKING: 1300PCS/REEL  
 4. PEELING RESISTANCE: 10.2gf~71.4gf.  
 5. PEELING SPEED: 300mm/minutes.

REEL/CARTON	DIM E	DIM D	DIM C	DIM B	DIM A	POS.
4	72.4	72	47.4	45.4	40.3	40
			46.4	44.4	39.3	39
			45.4	43.4	38.3	38
			44.4	42.4	37.3	37
			43.4	41.4	36.3	36
			42.4	40.4	35.3	35
			41.4	39.4	34.3	34
			40.4	38.4	33.3	33
			39.4	37.4	32.3	32
			38.4	36.4	31.3	31
			37.4	35.4	30.3	30
			36.4	34.4	29.3	29
			35.4	33.4	28.3	28
			34.4	32.4	27.3	27
			33.4	31.4	26.3	26
			32.4	30.4	25.3	25
			31.4	29.4	24.3	24
			30.4	28.4	23.3	23
			29.4	27.4	22.3	22
			28.4	26.4	21.3	21
			27.4	25.4	20.3	20
			26.4	24.4	19.3	19
			25.4	23.4	18.3	18
			24.4	22.4	17.3	17
			23.4	21.4	16.3	16
			22.4	20.4	15.3	15
			21.4	19.4	14.3	14
			20.4	18.4	13.3	13
			19.4	17.4	12.3	12
			18.4	16.4	11.3	11
			17.4	15.4	10.3	10
			16.4	14.4	9.3	9
			15.4	13.4	8.3	8
			14.4	12.4	7.3	7
			13.4	11.4	6.3	6
			12.4	10.4	5.3	5
			11.4	9.4	4.3	4
			10.4	8.4	3.3	3

NO INFORMATION IS TO BE GIVEN TO ANY OTHER PARTY WITHOUT THE WRITTEN AUTHORIZATION FROM ANY TYCO (TAMU, LTD. DIMENSIONS IN MILLIMETERS. DO NOT SCALE. PRINT

TOLERANCES UNLESS OTHERWISE SPECIFIED: 0 PLC ± 0.5 1 PLC ± 0.25 2 PLC ± 0.15 3 PLC ± 0.1 ANGLES ± 3'	DWN H. HUANG 30-OCT-2006	TYCO HOLDINGS (BERMUDA) VII LTD. TAIWAN BRANCH
MATERIAL	CHK S. HOU 30-OCT-2006	NAME Electronics
SEE NOTE	APVD W.J. KE 30-OCT-2006	1.0 MM PITCH FPC, R/A BOTTOM CONTACT, SMT TYPE.
FINISH	PRODUCT SPEC	LOC DW A <sub>3</sub>
SEE NOTE	QUALIFICATION TEST REPORT	DRAWING NO C-1734417
LTR	REVISION RECORD	SCALE --
ECN	DRAWN DATE	SHEET 2 OF 2

SEE SHEET 1
REVISION RECORD
ECN
DRAWN DATE

CUSTOMER DRAWING