

4

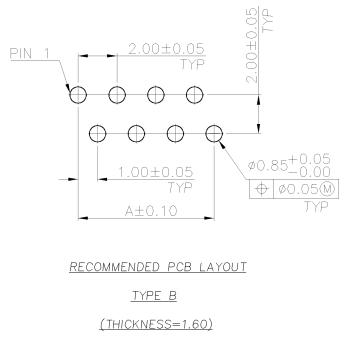
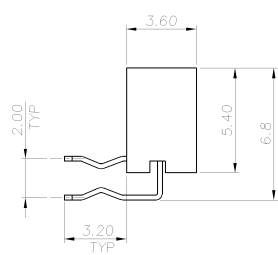
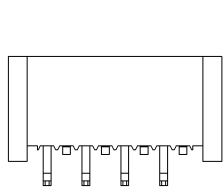
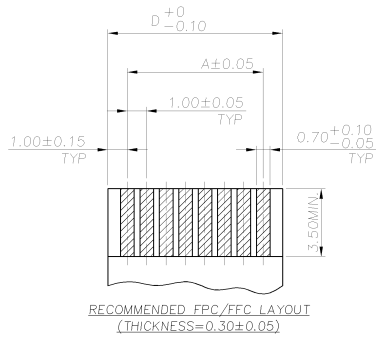
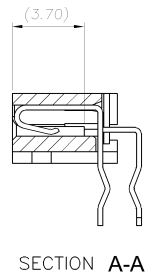
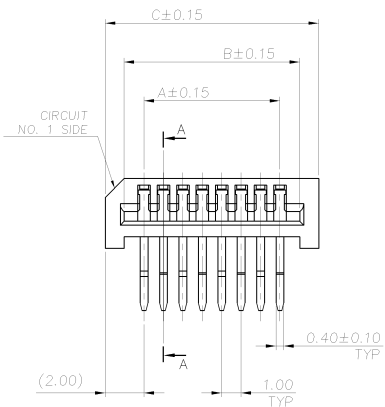
3

2

1

THIS DRAWING IS UNPUBLISHED. RELEASED FOR PUBLICATION
 © COPYRIGHT - BY TYCO ELECTRONICS CORPORATION. ALL RIGHTS RESERVED.

LOC	DIST	REVISIONS			
P	LTR	DESCRIPTION	DATE	DWN	APVD
	A	RELEASED	01MAR07	HH	WK



0.77g	31.00	33.00	31.05	29.00	30	3-1734030-0
0.74g	30.00	32.00	30.05	28.00	29	2-1734030-9
0.72g	29.00	31.00	29.05	27.00	28	2-1734030-8
0.69g	28.00	30.00	28.05	26.00	27	2-1734030-7
0.67g	27.00	29.00	27.05	25.00	26	2-1734030-6
0.64g	26.00	28.00	26.05	24.00	25	2-1734030-5
0.61g	25.00	27.00	25.05	23.00	24	2-1734030-4
0.59g	24.00	26.00	24.05	22.00	23	2-1734030-3
0.57g	23.00	25.00	23.05	21.00	22	2-1734030-2
0.55g	22.00	24.00	22.05	20.00	21	2-1734030-1
0.53g	21.00	23.00	21.05	19.00	20	2-1734030-0
0.51g	20.00	22.00	20.05	18.00	19	1-1734030-9
0.49g	19.00	21.00	19.05	17.00	18	1-1734030-8
0.47g	18.00	20.00	18.05	16.00	17	1-1734030-7
0.45g	17.00	19.00	17.05	15.00	16	1-1734030-6
0.43g	16.00	18.00	16.05	14.00	15	1-1734030-5
0.41g	15.00	17.00	15.05	13.00	14	1-1734030-4
0.38g	14.00	16.00	14.05	12.00	13	1-1734030-3
0.36g	13.00	15.00	13.05	11.00	12	1-1734030-2
0.34g	12.00	14.00	12.05	10.00	11	1-1734030-1
0.32g	11.00	13.00	11.05	9.00	10	1-1734030-0
0.30g	10.00	12.00	10.05	8.00	09	1734030-9
0.28g	9.00	11.00	9.05	7.00	08	1734030-8
0.26g	8.00	10.00	8.05	6.00	07	1734030-7
0.24g	7.00	9.00	7.05	5.00	06	1734030-6
0.22g	6.00	8.00	6.05	4.00	05	1734030-5
0.20g	5.00	7.00	5.05	3.00	04	1734030-4

- NOTE:
- MATERIAL:
HOUSING: THERMOPLASTIC (PA9T) WITH 33% GF, UL 94V-0, BLACK COLOR.
CONTACTS: PHOSPHOR BRONZE. T=0.2mm.
 - FINISH:
CONTACTS: 2.54µm [100µ"] MIN. MATTE-TIN OVER 1.27µm [50µ"] MIN.
NICKEL UNDERPLATED ON ENTIRE CONTACT.
 - WAVE SOLDER CAPABLE TO 265°C PER TYCO TEST SPEC.
109-202, CONDITION B.

THIS DRAWING IS A CONTROLLED DOCUMENT.		DWN H. HUANG 01MAR2007	tyco Tyco Holdings (Bermuda) Electronics VII Ltd. Taiwan Branch
DIMENSIONS:		CHK S. HOU 01MAR2007	
TOLERANCES UNLESS OTHERWISE SPECIFIED:		APVD W. J. KE 01MAR2007	
MM		NAME	
0 PLC ± 0.5 1 PLC ± 0.38 2 PLC ± 0.25 3 PLC ± 0.15 4 PLC ± - FINISH ± -		PRODUCT SPEC 108-57354 QUALIFICATION TEST REPORT 501-57449	FPC/FFC CONNECTOR, 1.0 PITCH, NON-ZIF, R/A, TOP CONTACT, DIP TYPE
MATERIAL SEE NOTE	FINISH SEE NOTE	WEIGHT SEE TABLE	SIZE CAGE CODE DRAWING NO A3100779 C-1734030
		CUSTOMER DRAWING	RESTRICTED TO SCALE - SHEET 1 OF 2 REV A

4

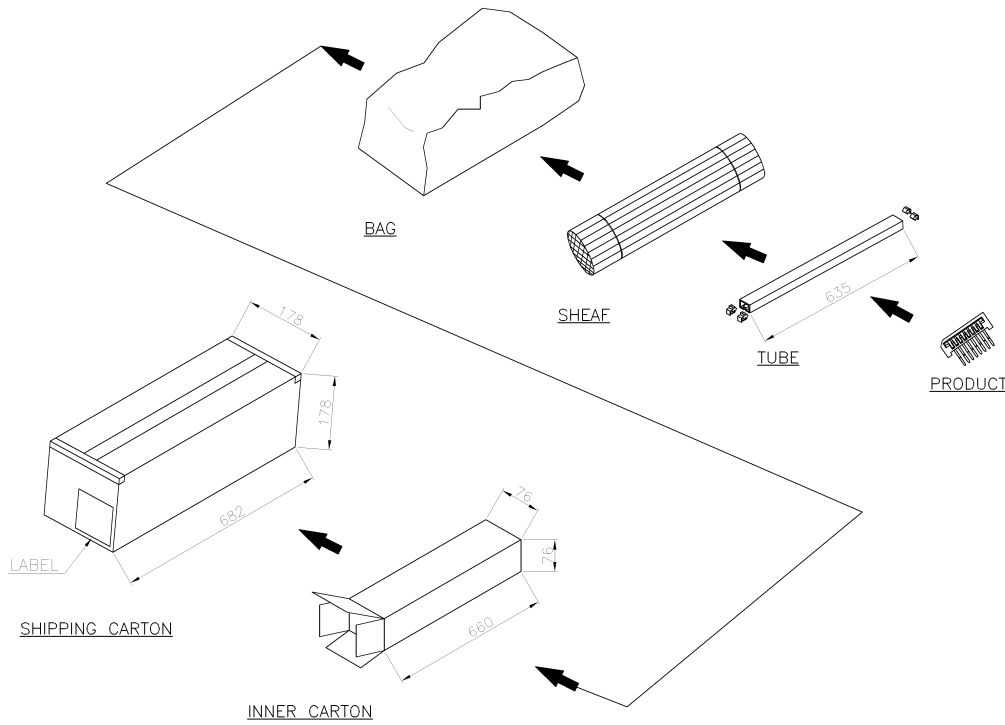
3

2

1

THIS DRAWING IS UNPUBLISHED. RELEASED FOR PUBLICATION
 © COPYRIGHT - BY TYCO ELECTRONICS CORPORATION. ALL RIGHTS RESERVED.

LOC	DIST	REVISIONS			
P	LTR	DESCRIPTION	DATE	DWN	APVD
SEE SHEET 1.					



GROSS WEIGHT	NET WEIGHT	PCS/TUBE	TUBES / CARTON	QUANTITY	NO. OF POS.
8.23 Kg	3.30 Kg	36	120	4320 PCS	30
8.31 Kg	3.39 Kg	38	120	4560 PCS	29
8.36 Kg	3.44 Kg	40	120	4800 PCS	28
8.24 Kg	3.32 Kg	40	120	4800 PCS	27
8.29 Kg	3.37 Kg	42	120	5040 PCS	26
8.27 Kg	3.35 Kg	44	120	5280 PCS	25
8.16 Kg	3.24 Kg	44	120	5280 PCS	24
8.20 Kg	3.27 Kg	46	120	5520 PCS	23
8.22 Kg	3.29 Kg	48	120	5760 PCS	22
8.23 Kg	3.31 Kg	50	120	6000 PCS	21
9.10 Kg	4.18 Kg	54	120	6480 PCS	20
8.90 Kg	3.89 Kg	56	120	6720 PCS	19
8.81 Kg	3.89 Kg	58	120	6960 PCS	18
8.73 Kg	3.81 Kg	62	120	7440 PCS	17
8.63 Kg	3.71 Kg	64	120	7680 PCS	16
8.61 Kg	3.68 Kg	68	120	8160 PCS	15
8.56 Kg	3.64 Kg	72	120	8640 PCS	14
8.53 Kg	3.61 Kg	76	120	9120 PCS	13
8.49 Kg	3.57 Kg	82	120	9840 PCS	12
8.44 Kg	3.51 Kg	88	120	10560 PCS	11
8.41 Kg	3.49 Kg	94	120	11280 PCS	10
8.39 Kg	3.46 Kg	102	120	12240 PCS	09
8.37 Kg	3.44 Kg	110	120	13200 PCS	08
8.40 Kg	3.47 Kg	122	120	14640 PCS	07
8.40 Kg	3.40 Kg	136	120	16320 PCS	06
8.34 Kg	3.42 Kg	152	120	18240 PCS	05
8.36 Kg	3.43 Kg	174	120	20880 PCS	04

THIS DRAWING IS A CONTROLLED DOCUMENT.

DWN	H. HUANG	01MAR2007
CHK	S. HOU	01MAR2007
APVD	W. J. KE	01MAR2007

tyco Tyco Holdings (Bermuda)
Electronics VII Ltd. Taiwan Branch

NAME: FPC/FFC CONNECTOR, 1.0 PITCH, NON-ZIF, R/A, TOP CONTACT, DIP TYPE

SIZE	CAGE CODE	DRAWING NO.	RESTRICTED TO
A3	00779	1734030	

CUSTOMER DRAWING SCALE: — SHEET 2 OF 2 REV A