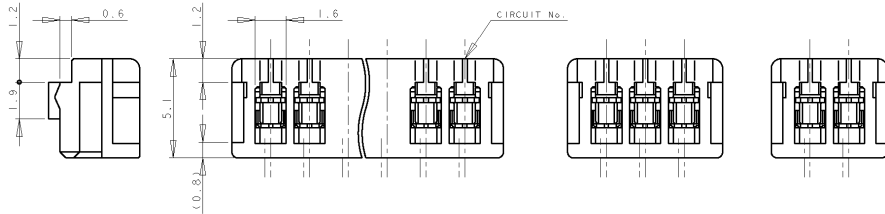
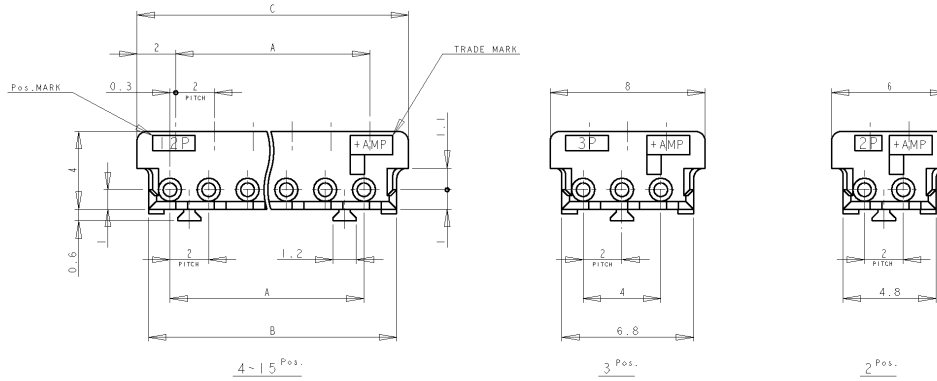


THIS DRAWING IS UNPUBLISHED. RELEASED FOR PUBLICATION .19  
 COPYRIGHT 19 BY AMP INCORPORATED. ALL RIGHTS RESERVED.

LOC	DIST	REVISIONS					
0	-	F	LTR	DESCRIPTION	DATE	DWN	APVD
0	-			NPR FP00-0081-03	10APR03	LWY	TLP



- NOTES:
1. APPLICABLE WIRE SIZE : AWG# 28-26  
(UL1571,UL1061)  
INSULATION DIA RANGE : 0.85-1.05
  2. MATERIAL :  
HOUSING : PBT(G,F)UL94V-0  
CONTACT : PRE-TIN PHOS-BRONZE
  3. PRODUCT SPEC : 108-5218
  4. APPLICATION SPEC : 114-5104



1-84941-5	15	28	30.8	32
1- -4	14	26	28.8	30
1- -3	13	24	26.8	28
1- -2	12	22	24.8	26
1- -1	11	20	22.8	24
1- -0	10	18	20.8	22
-9	9	16	18.8	20
-8	8	14	16.8	18
-7	7	12	14.8	16
-6	6	10	12.8	14
-5	5	8	10.8	12
-4	4	6	8.8	10
-3	3	-AS SHOWN		
84941-2	2	-AS SHOWN		
RED				
PART NO.	POS	A	B	C

GENERAL TOLERANCE

0 < < 10	: ±0.2
10 < < 30	: ±0.25
30 < < 100	: ±0.3
ANGLES	: ±3°

THIS DRAWING IS A CONTROLLED DOCUMENT FOR AMP INCORPORATED  
 IT IS SUBJECT TO CHANGE AND THE ORIGINAL DRAWING OR  
 ORGANIZATION SHOULD BE CONTACTED FOR THE LATEST REVISION.

DIMENSIONS:	TOLERANCES UNLESS OTHERWISE SPECIFIED
mm	
0 PLC	±
1 PLC	±
2 PLC	±
3 PLC	±
4 PLC	±
ANGLES	±
FINISH	
MATERIAL	

OWN	WYLEE	10APR2003
CHK	IP TAN	10APR2003
APVD	WI CHOO	
PRODUCT SPEC		
APPLICATION SPEC		
WEIGHT		
CUSTOMER DRAWING		

<b>tyco</b> Electronics		Tyco Electronics Singapore Pte. Ltd.	
NAME MT REC HOUSING ASS'Y (AMP CT CONNECTOR 2mm PITCH)			
SIZE	CAGE CODE	DRAWING NO	
A3	00779	C-84941	
SCALE		SHEET	OF
4:1		1	1
		REV	0

AMP 1470-19 REV 09M194

Proj/ENGINEER DRAWING