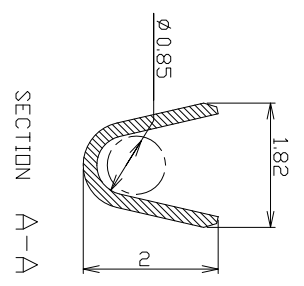
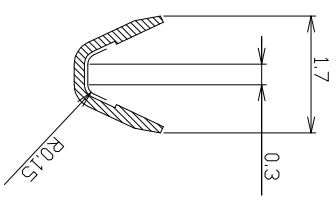
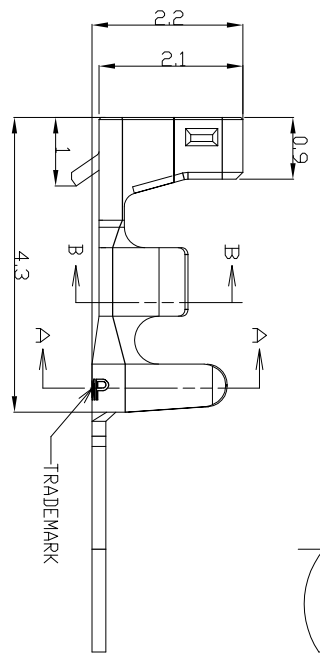
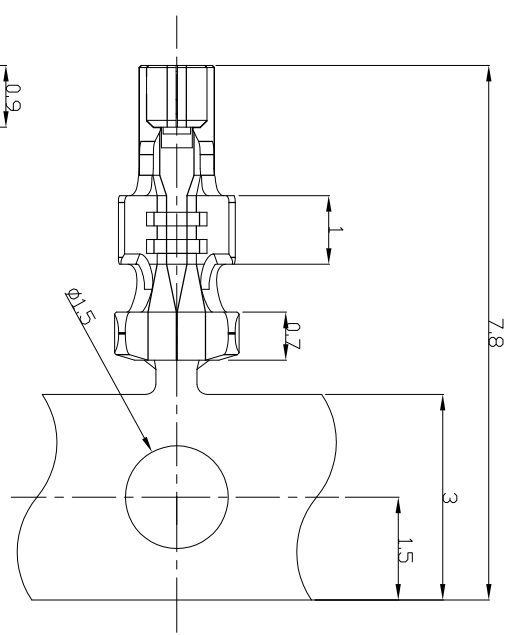
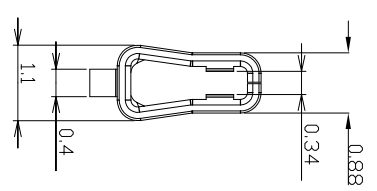
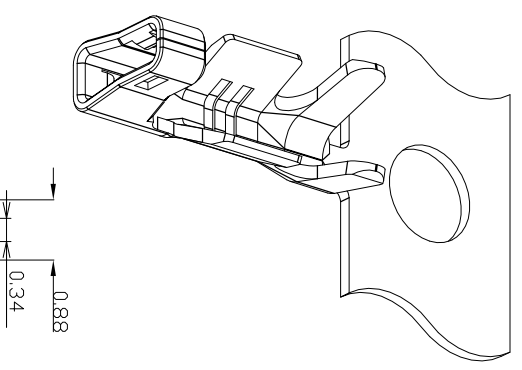


THIS DRAWING IS UNPUBLISHED.  
 RELEASED FOR PUBLICATION  
 COPYRIGHT BY TYCO ELECTRONICS CORPORATION. ALL RIGHTS RESERVED.

100 DIST ES 00

REV	DESCRIPTION	DATE	BY	APP'D
1		23MAR06	C.Z	S.Y
2	REVISIONS			
3				
4				



- NOTES:
1. USE WITH HOUSING P/N: 84726
  2. GENERAL TOLERANCE: ±0.2° ANGLE: ±3°

84727-1 AS SHOWN

THIS DRAWING IS A CONTROLLED DOCUMENT.		QMN	WY LEE	23MAR01
DIMENSIONS: mm		CHK	NG PH	
TOLERANCES UNLESS OTHERWISE SPECIFIED		APVD	WL CHOO	
0 P/C	±	PRODUCT SPEC	108-60025	
1 P/C	±	APPLICATION SPEC	114-51010	
2 P/C	±	WEIGHT		
3 P/C	±	CUSTOMER DRAWING		
4 P/C	±			
ANGLES	±			
FINISH	±			
MATERIAL PHDS-BRONZE, 0.2mm THK		PRE-TIN		
NAME		Tyco Electronics Corporation		
AMP Mini Common Terminated (CT) Connector		shanghai cn		
1.5mm Pitch RECEPTACLE CONTACT (AWG#24~#28), CRIMP TYPE				
SIZE	QAGE CODE	DRAWING NO	RESTRICTED TO	
A3	00779	84727		
SCALE	15:1	SHEET	1 of 1	REV C