

4

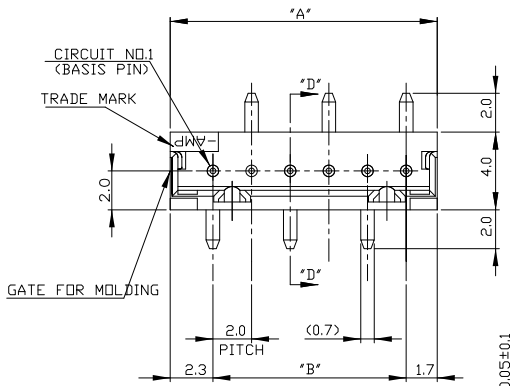
3

2

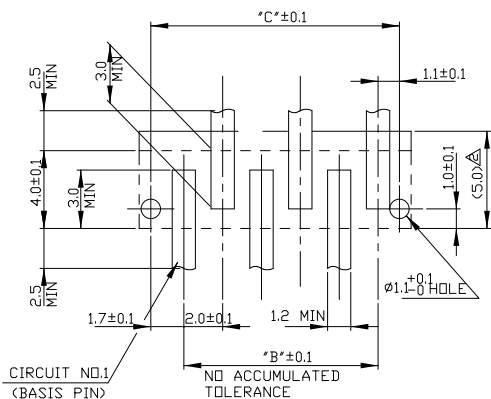
1

THIS DRAWING IS UNPUBLISHED. RELEASED FOR PUBLICATION
 © COPYRIGHT - By - ALL RIGHTS RESERVED.

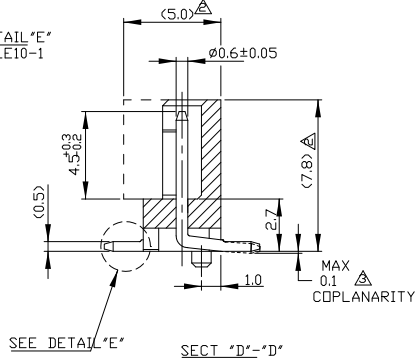
LOC	DIST	REVISIONS					
FB	00	P	LTR	DESCRIPTION	DATE	DWN	APVD
		A1		REVISED PER ECO-11-005033	26MAR11	RK	HMR



1. MATERIAL: HOUSING-6T PA G.F.30%(UL94V0)
 COLOR- BLACK OR NATURAL
 POST- TIN BRASS
2. OCCUPANT AREA ON PC BOARD
 (AFTER CONNECTOR MATING)
 TO BE MEASURED WITH CONNECTOR PLCD ON
 HORIZONTAL DATUM SURFACE, FLOAT OF SOLDER
 TINE FROM DATUM SURFACE IS 0.1mm MAX.
3. TUBE P/N 8-720999-6
4. PRODUCT MUST COME OUT SMOOTHLY FROM
 TUBE AT INCLINING THE TUBE TO 45°



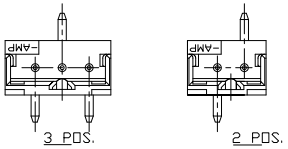
DETAIL "E"
 SCALE 10-1



SEE DETAIL "E" SECT "D"- "D"

RECOMMENDED P.C.BOARD
 (P.C.B. THK-0.8mm MIN)

20	20.0	16.0	18.8	9	6-292171-9	292171-9
25	18.0	14.0	16.8	8	6-	-8
30	16.0	12.0	14.8	7	6-	-7
30	14.0	10.0	12.8	6	6-	-6
40	12.0	8.0	10.8	5	6-	-5
45	10.0	6.0	8.8	4	6-	-4
60	8.0	4.0	6.8	3	6-	-3
80	6.0	2.0	4.8	2	6-292171-2	292171-2
QTY'S/ TUBE	"A"	"B"	"C"	POS.		
					NATURAL	BLACK



TOLERANCES UNLESS OTHERWISE SPECIFIED:
 10 > * ±0.2
 30 > * > 10 ±0.25
 100 > * > 30 ±0.3
 ANGEL ±3°

THIS DRAWING IS A CONTROLLED DOCUMENT.

DIMENSIONS:	TOLERANCES UNLESS OTHERWISE SPECIFIED:	DWN	J. JIANG	23JAN03		
mm	0 PLC ±	CHK	S. YAO	23JAN03		
	1 PLC ±	APVD	T. SASAKI	23JAN03		
	2 PLC ±	NAME	TE Connectivity			
	3 PLC ±	PRODUCT SPEC	TUBE PACKING AMP CT CONN			
	4 PLC ±	APPLICATION SPEC	POST HDR ASS'Y (STD-V SMT)			
MATERIAL	FINISH	WEIGHT	SIZE	CAGE CODE	DRAWING NO	RESTRICTED TO
			A3	00779	C-292171	
CUSTOMER DRAWING			SCALE	1:1	SHEET	1 OF 1
			REV	A1		