

4

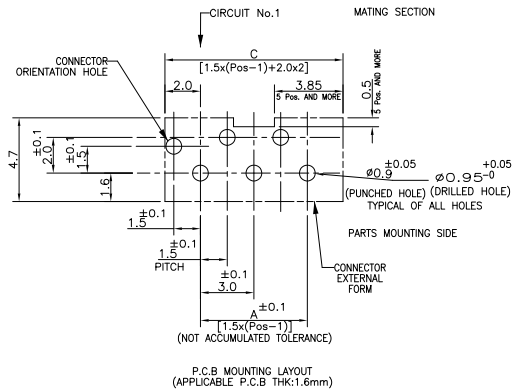
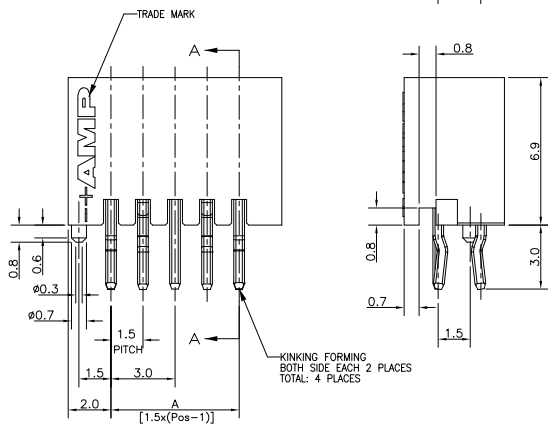
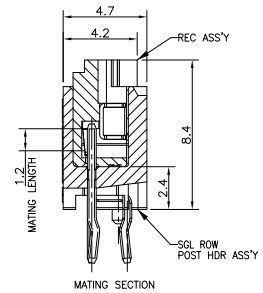
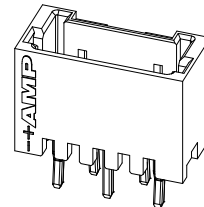
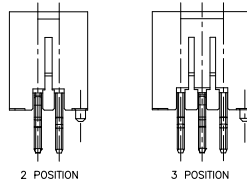
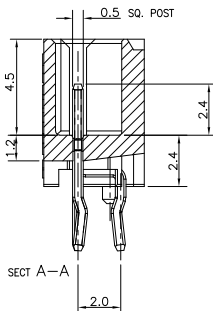
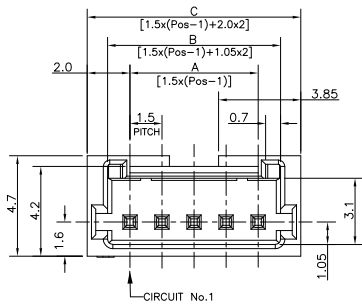
3

2

1

THIS DRAWING IS UNPUBLISHED. RELEASED FOR PUBLICATION
 © COPYRIGHT - By - ALL RIGHTS RESERVED.

LOC	DIST	REVISIONS			
P	LTR	DESCRIPTION	DATE	DWN	APVD
ES	00	A1	REVISED PER ECO-11-005033	11MAR11	RK HMR



NOTES:
 1. MATERIAL:
 HOUSING: NYLON (G.F.) UL94V-0, COLOR: GRAY, BLUE
 POST: PRE-TIN 0.5mm SQ. BRASS WIRE

TOLERANCES UNLESS OTHERWISE SPECIFIED:
 10 > * : ±0.2
 30 > * > 10 : ±0.25
 100 > * > 30 : ±0.3
 ANGLE : ±3°

THIS DRAWING IS A CONTROLLED DOCUMENT.

DIMENSIONS:	TOLERANCES UNLESS OTHERWISE SPECIFIED:
mm	
	0 PLC ± -
	1 PLC ± -
	2 PLC ± -
	3 PLC ± -
	4 PLC ± -
	ANGLES ± -
MATERIAL	FINISH
SEE NOTE 1	SEE NOTE 1

DWN	S. YAO	31JAN03		TE Connectivity
CHK	S. YAO	31JAN03		
APVD	T. SASAKI	31JAN03	NAME	AMP Mini CT Connector 1.5mm Pitch
PRODUCT SPEC	108 - 60018			Single Row Post HDR Ass'y (V)
APPLICATION SPEC	114 - 5223			DIP Staggered Type with Boss with Kink
WEIGHT	SEE TABLE		SIZE	A3
CUSTOMER DRAWING			CAGE CODE	00779
			DRAWING NO	C-292207
			RESTRICTED TO	-
			SCALE	-
			SHEET	1 of 2
			REV	A1

LOC	DIST	REVISIONS					
ES	00	P	LTR	DESCRIPTION	DATE	DWN	APVD
		-		SEE SHEET 1	-	-	-


0.96	32.5	30.6	28.5	20	7-292207-0	2-292207-0
0.91	31.0	29.1	27.0	19	6-292207-9	1-292207-9
0.87	29.5	27.6	25.5	18	6-292207-8	1-292207-8
0.82	28.0	26.1	24.0	17	6-292207-7	1-292207-7
0.78	26.5	24.6	22.5	16	6-292207-6	1-292207-6
0.73	25.0	23.1	21.0	15	6-292207-5	1-292207-5
0.69	23.5	21.6	19.5	14	6-292207-4	1-292207-4
0.64	22.0	20.1	18.0	13	6-292207-3	1-292207-3
0.60	20.5	18.6	16.5	12	6-292207-2	1-292207-2
0.55	19.0	17.1	15.0	11	6-292207-1	1-292207-1
0.51	17.5	15.6	13.5	10	6-292207-0	1-292207-0
0.46	16.0	14.1	12.0	9	5-292207-9	292207-9
0.42	14.5	12.6	10.5	8	5-292207-8	292207-8
0.37	13.0	11.1	9.0	7	5-292207-7	292207-7
0.33	11.5	9.6	7.5	6	5-292207-6	292207-6
0.28	10.0	8.1	6.0	5	5-292207-5	292207-5
0.24	8.5	6.6	4.5	4	5-292207-4	292207-4
0.19	7.0	5.1	3.0	3	5-292207-3	292207-3
0.16	5.5	3.6	1.5	2	5-292207-2	292207-2
WEIGHT <g>	C	B	A	Pos.	BLUE	GRAY
	DIMENSIONS				P/N	

RELEASED FOR PUBLICATION

ALL RIGHTS RESERVED.

THIS DRAWING IS UNPUBLISHED.

By -
COPYRIGHT -

DIMENSIONS: mm		DWN -	MATERIAL -	FINISH -		
TOLERANCES UNLESS OTHERWISE SPECIFIED:		CHK -	 TE Connectivity			
0 PLC ± - 1 PLC ± SEE SHEET 2 PLC ± 1 OF 2 3 PLC ± - 4 PLC ± - ANGLES ± -		APVD -				
		PRODUCT SPEC	NAME AMP Mini CT Connector 1.5mm Pitch Single Row Post HDR Ass'y (V) DIP Staggered Type with Boss with Kink			
		APPLICATION SPEC	SIZE	CAGE CODE	DRAWING NO	RESTRICTED TO
		WEIGHT -	A4	00779	C-292207	-
CUSTOMER DRAWING			SCALE	SHEET		REV
			NON	2 OF 2		A1