

4

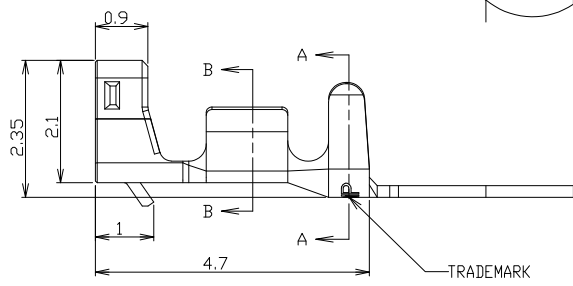
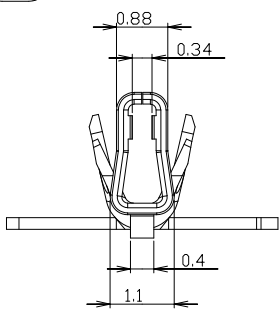
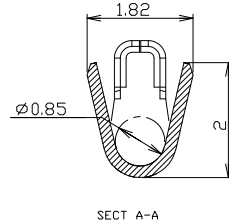
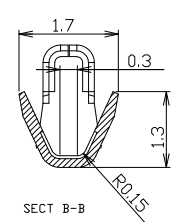
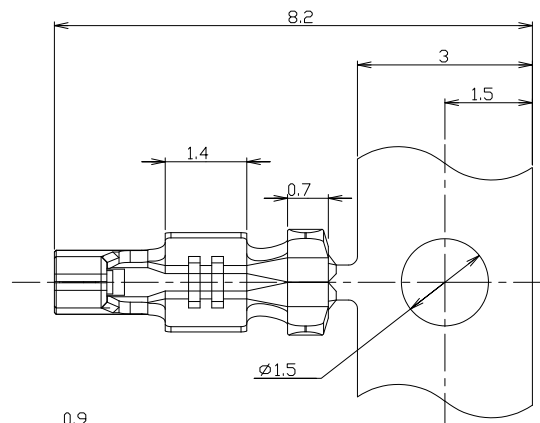
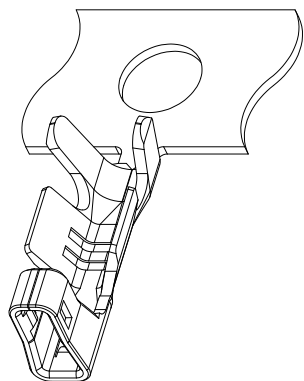
3

2

1

THIS DRAWING IS UNPUBLISHED. RELEASED FOR PUBLICATION  
 © COPYRIGHT - By - ALL RIGHTS RESERVED.

LOC	DIST	REVISIONS				
P	LTR	DESCRIPTION	DATE	DWN	APVD	
ES	00					
C1		REVISED PER ECO-11-005033	25MAR11	RK	HMR	



NOTES:  
 1. LOOSE PIECE CONTACT P/N:353918-1  
 2. USE WITH HOUSING P/N:X-353908-X

353907-1 AS SHOWN

GENERAL TOLERANCE

10 ≥	±0.2
30 ≥ > 10	±0.25
100 ≥ > 30	±0.3
ANGLES: ±3°	

THIS DRAWING IS A CONTROLLED DOCUMENT.

DIMENSIONS:	TOLERANCES UNLESS OTHERWISE SPECIFIED:
mm	
0 PLC	±
1 PLC	±
2 PLC	±
3 PLC	±
4 PLC	±
ANGLES	±
FINISH	
	PRE-TIN

WIRE RANGE 0.22mm <sup>2</sup> ~ 0.08mm <sup>2</sup> (AWG#24~AWG#28)	INSULATION DIA 0.105~0.085
DWN H. HOSHINO 26.APR'97	TE Connectivity
CHK J. TANIGAWA 26.APR'97	
APVD WL CHOO	NAME
PRODUCT SPEC 108-60025	AMP MINI COMMON TERMINATED (CT)
APPLICATION SPEC 114-5245	CONNECTOR 1.5mm PITCH
WEIGHT 0.02g/ea	RECEPTACLE CONTACT(AWG#24~#28), CRIMP TYPE
CUSTOMER DRAWING	SIZE CAGE CODE DRAWING NO. RESTRICTED TO
	A3 00779 C=353907
	SCALE NON SHEET 1 OF 1 REV C1