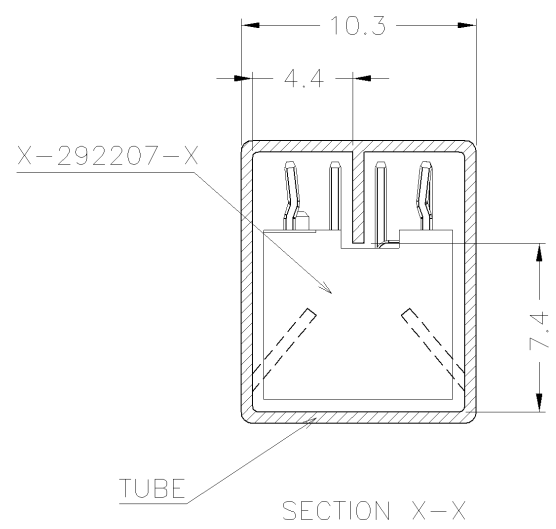
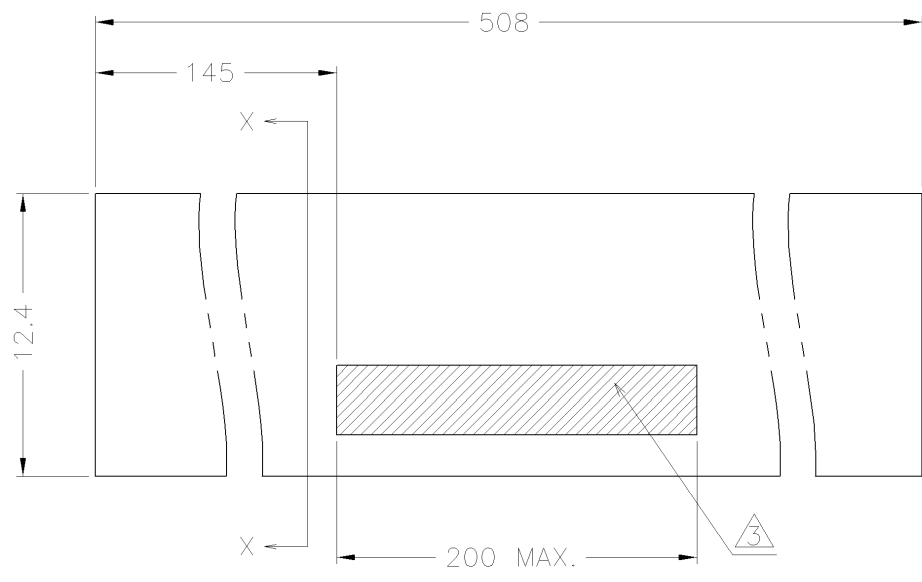


THIS DRAWING IS UNPUBLISHED. RELEASED FOR PUBLICATION
 © COPYRIGHT BY TYCO ELECTRONICS CORPORATION. ALL RIGHTS RESERVED.

LOC	DIST	REVISIONS			
P	LTR	DESCRIPTION	DATE	DWN	APVD
ES	00	A	RELEASED ECR-07-012987	01JUN07	C.Z S.Y



THIS DRAWING IS A CONTROLLED DOCUMENT.		DWN C.ZHU 01FEB07	 Tyco Electronics Corporation Shanghai, P.R.China, 200233
DIMENSIONS: mm		CHK S.YAO 01FEB07	
		APVD S.YAO 01FEB07	
TOLERANCES UNLESS OTHERWISE SPECIFIED: 0 PLC ± - 1 PLC ± - 2 PLC ± - 3 PLC ± - 4 PLC ± - ANGLES ± -		PRODUCT SPEC 108-60018	NAME TUBE PACKING AMP MINI CT CONN. DBL ROW POST HDR ASS'Y (BOX-V DIP WITH KINK)
MATERIAL		APPLICATION SPEC	SIZE A3
FINISH		WEIGHT	CAGE CODE 000779
		CUSTOMER DRAWING	DRAWING NO C=292487
			RESTRICTED TO
			SCALE 1:1
			SHEET 1 OF 2
			REV A

AMP 1470-19 REV 31MAR2000

