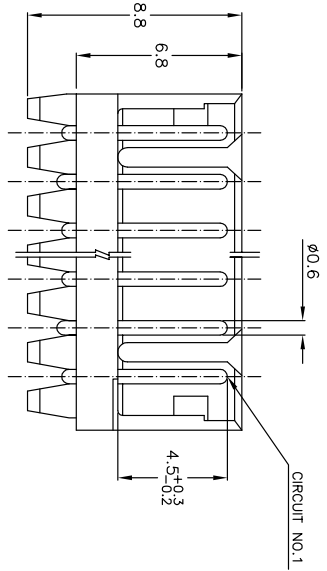
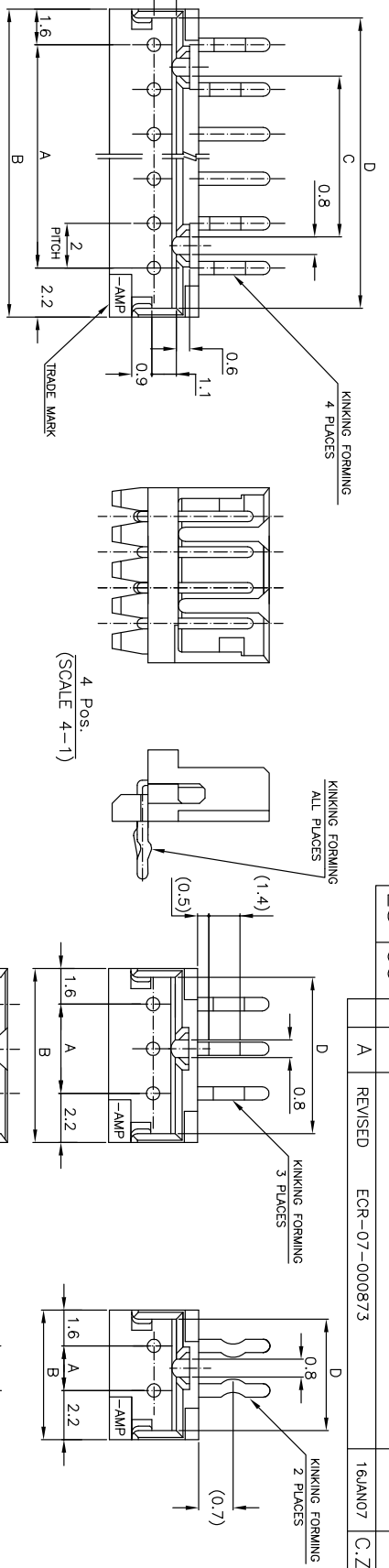


THIS DRAWING IS UNPUBLISHED.
 © COPYRIGHT BY TYCO ELECTRONICS CORPORATION. ALL RIGHTS RESERVED.
 RELEASED FOR PUBLICATION

LOC	DIST	REV	DESCRIPTION	DATE	DMN	APP'D
ES	00	A	REVISIONS	16JAN07	C.Z	S.Y
P	LTR	REVISED	ECR-07-000873			

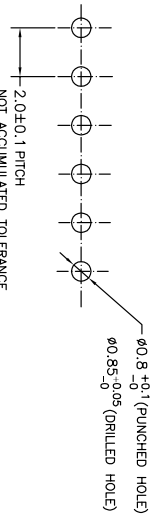


5~15 Pos.

NOTES:

1. MATERIAL: HOUSING - NYLON 66 (UL94V-0)
POST - TIN BRASS
2. APPLICABLE RECEPTACLE P/N 1739777
3. THIS PART HAS BEEN OBSOLETE.

RECOMMENDABLE PCB LAYOUT
 (PCB THK:0.8-1.6)



TOLERANCES UNLESS OTHERWISE SPECIFIED:
 10% * * >10 : ±0.2
 30% * * >10 : ±0.25
 100% * * >30 : ±0.3
 ANGLE : ±3

THIS DRAWING IS A CONTROLLED DOCUMENT.		DMN	31JAN03	NAME	TYCO Electronics Corporation
DIMENSIONS: MM		CHK	S.XU	SHANGHAI, CHINA	
TOLERANCES UNLESS OTHERWISE SPECIFIED:		APP'D	S.YAO		
0 PLG ±		PRODUCT SPEC	T. SASAKI		
1 PLG ±		APPLICATION SPEC	108-60016		
2 PLG ±		WEIGHT			
3 PLG ±		CUSTOMER DRAWING			
FINISH ±		SIZE	A3		
±		DATE CODE	00779		
±		DRAWING NO	292253		
±		SCALE	5:1		
±		SHEET	1 of 1		
±		REV	A		

7-292253-5	6-292253-5	5-292253-5	4-292253-5	3-292253-5	2-292253-5	1-292253-5	28	31.8	25.2	31.0
7-4	5-4	3-4	1-4	1-4	1-4	1-4	14	29.8	23.2	29.0
7-3	5-3	3-3	1-3	1-3	1-3	1-3	13	27.8	21.2	27.0
7-2	5-2	3-2	1-2	1-2	1-2	1-2	12	25.8	19.2	25.0
7-1	5-1	3-1	1-1	1-1	1-1	1-1	11	23.8	17.2	23.0
7-0	5-0	3-0	1-0	1-0	1-0	1-0	10	21.8	15.2	21.0
6-9	4-9	2-9	1-9	1-9	1-9	1-9	9	19.8	13.2	19.0
6-8	4-8	2-8	1-8	1-8	1-8	1-8	8	17.8	11.2	17.0
6-7	4-7	2-7	1-7	1-7	1-7	1-7	7	15.8	9.2	15.0
6-6	4-6	2-6	1-6	1-6	1-6	1-6	6	13.8	7.2	13.0
6-5	4-5	2-5	1-5	1-5	1-5	1-5	5	11.8	5.2	11.0
6-4	4-4	2-4	1-4	1-4	1-4	1-4	4	9.8	3.2	9.0
6-3	4-3	2-3	1-3	1-3	1-3	1-3	3	7.8	1.2	7.0
6-2	4-2	2-2	1-2	1-2	1-2	1-2	2	5.8	0.2	5.0
6-1	4-1	2-1	1-1	1-1	1-1	1-1	1	3.8	0.2	3.0