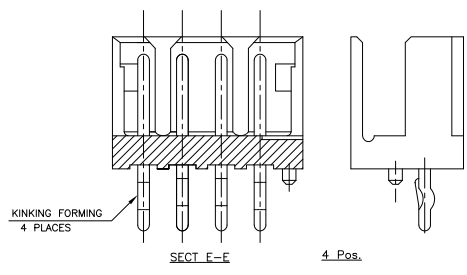
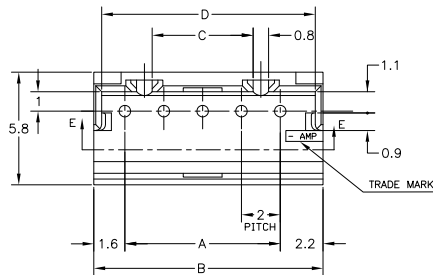
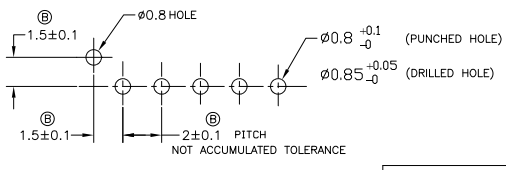
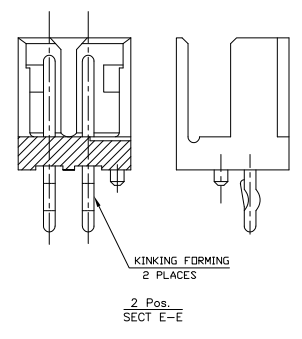
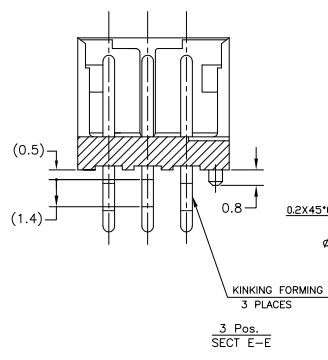
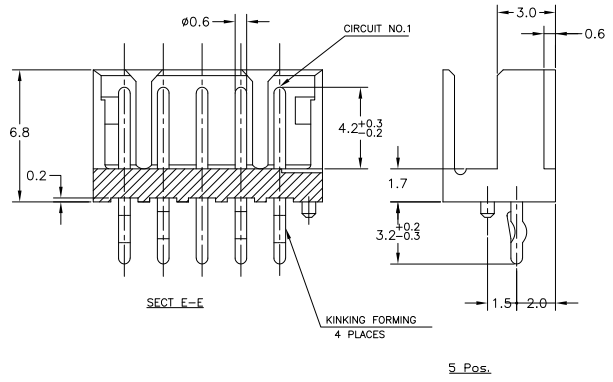


THIS DRAWING IS UNPUBLISHED. RELEASED FOR PUBLICATION
 © COPYRIGHT - By - ALL RIGHTS RESERVED.

LOC	DIST	REVISIONS					
ES	00	P	LTR	DESCRIPTION	DATE	DWN	APVD
		B1		REVISED PER ECO-11-005033	08MAR11	RK	HMR



NOTES:
 1. MATERIAL: HOUSING - NYLON 66 (UL94V-0)
 POST - TIN BRASS



RECOMMENDABLE PCB LAYOUT
 (PCB THK: 0.8-1.6)

TOLERANCES UNLESS OTHERWISE SPECIFIED:

10 > *	: ±0.2
30 > * > 10	: ±0.25
100 > * > 30	: ±0.3
ANGLE	: ±3°

THIS DRAWING IS A CONTROLLED DOCUMENT.		DWN	06NOV03	 TE Connectivity	NAME POST HEADER ASS'Y POLARIZE TYPE (BOX-V TYPE) (AMP CT CONNECTOR 2mm PITCH)										
DIMENSIONS: mm		CHK	06NOV03												
TOLERANCES UNLESS OTHERWISE SPECIFIED:		APVD	06NOV03												
<table border="1"> <tr> <td>0 PLC</td> <td>±</td> </tr> <tr> <td>1 PLC</td> <td>±</td> </tr> <tr> <td>2 PLC</td> <td>±</td> </tr> <tr> <td>3 PLC</td> <td>±</td> </tr> <tr> <td>4 PLC</td> <td>±</td> </tr> <tr> <td>ANGLES</td> <td>±</td> </tr> </table>		0 PLC	±			1 PLC	±	2 PLC	±	3 PLC	±	4 PLC	±	ANGLES	±
0 PLC	±														
1 PLC	±														
2 PLC	±														
3 PLC	±														
4 PLC	±														
ANGLES	±														
MATERIAL: SEE NOTE		FINISH: SEE NOTE		SIZE	CAGE CODE	DRAWING NO	RESTRICTED TO								
SEE NOTE		SEE NOTE		A3	00779	C-292251									
CUSTOMER DRAWING				SCALE	5:1	SHEET	1 of 2								
				REV		B1									

4

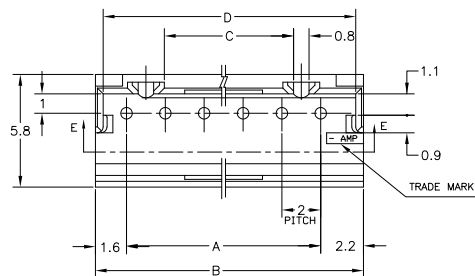
3

2

1

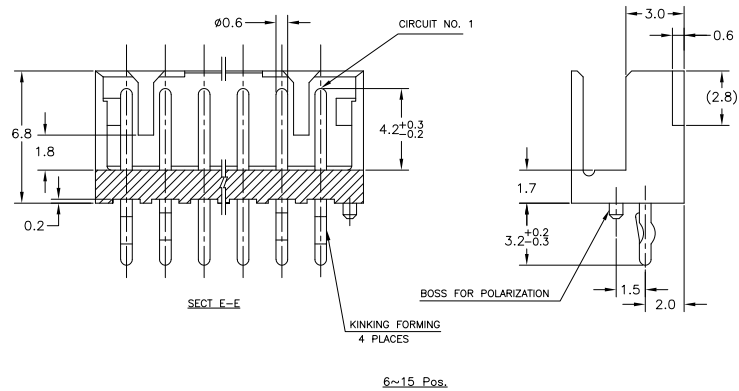
THIS DRAWING IS UNPUBLISHED. RELEASED FOR PUBLICATION
 © COPYRIGHT - By - ALL RIGHTS RESERVED.

LOC	DIST	REVISIONS				
P	LTR	DESCRIPTION	DATE	DWN	APVD	
ES	00	SEE SHEET 1	-	-	-	

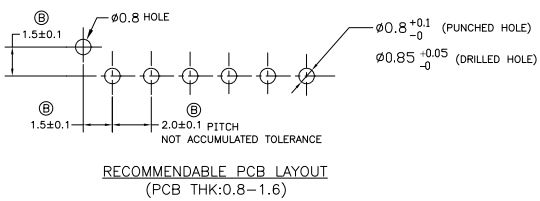


NOTES:

- 1. MATERIAL: HOUSING - NYLON 66 (UL94V-0)
- POST - TIN BRASS



	1-292251-5	15	28	31.8	25.2	31.0
	1-	-4	14	26	29.8	23.2
	1-	-3	13	24	27.8	21.2
	1-	-2	12	22	25.8	19.2
	1-	-1	11	20	23.8	17.2
	1-	-0	10	18	21.8	15.2
		-9	9	16	19.8	13.2
		-8	8	14	17.8	11.2
		-7	7	12	15.8	9.2
		-6	6	10	13.8	7.2
		-5	5	8	11.8	5.2
		-4	4	6	9.8	3.2
		-3	3	4	7.8	1.2
		-2	2	2	5.8	0.2
		-1	1	0	3.8	0.2
		0	0	0	1.8	0.2
		1	1	2	3.8	0.2
		2	2	4	5.8	0.2
		3	3	6	7.8	0.2
		4	4	8	9.8	0.2
		5	5	10	11.8	0.2
		6	6	12	13.8	0.2
		7	7	14	15.8	0.2
		8	8	16	17.8	0.2
		9	9	18	19.8	0.2
		10	10	20	21.8	0.2
		11	11	22	23.8	0.2
		12	12	24	25.8	0.2
		13	13	26	27.8	0.2
		14	14	28	29.8	0.2
		15	15	30	31.8	0.2



THIS DRAWING IS A CONTROLLED DOCUMENT.

DIMENSIONS:	TOLERANCES UNLESS OTHERWISE SPECIFIED:
0 PLC	±
1 PLC	±
2 PLC	±
3 PLC	±
4 PLC	±
ANGLES	±

DWN	---	TE Connectivity
CHK	---	NAME
APVD	---	POST HEADER ASS'Y POLARIZE TYPE (BOX-V TYPE)
PRODUCT SPEC	---	(AMP CT CONNECTOR 2mm PITCH)
APPLICATION SPEC	---	SIZE
WEIGHT	---	CAGE CODE
CUSTOMER DRAWING	---	DRAWING NO
		RESTRICTED TO
		A3 00779 C-292251
		SCALE 5:1 SHEET 2 OF 2 REV B1