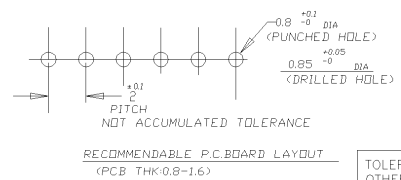


| | | | | | | | | |
|------------|------------|------------|------------|-----|----|------|------|------|
| 7-292132-5 | 5-292132-5 | 3-292132-5 | 1-292132-5 | 15 | 28 | 31.8 | 25.2 | 31.0 |
| 7-4 | 5-4 | 3-4 | 1-4 | 14 | 26 | 29.8 | 23.2 | 29.0 |
| 7-3 | 5-3 | 3-3 | 1-3 | 13 | 24 | 27.8 | 21.2 | 27.0 |
| 7-2 | 5-2 | 3-2 | 1-2 | 12 | 22 | 25.8 | 19.2 | 25.0 |
| 7-1 | 5-1 | 3-1 | 1-1 | 11 | 20 | 23.8 | 17.2 | 23.0 |
| 7-0 | 5-0 | 3-0 | 1-0 | 10 | 18 | 21.8 | 15.2 | 21.0 |
| 6-9 | 4-9 | 2-9 | 0-9 | 9 | 16 | 19.8 | 13.2 | 19.0 |
| 6-8 | 4-8 | 2-8 | 0-8 | 8 | 14 | 17.8 | 11.2 | 17.0 |
| 6-7 | 4-7 | 2-7 | 0-7 | 7 | 12 | 15.8 | 9.2 | 15.0 |
| 6-6 | 4-6 | 2-6 | 0-6 | 6 | 10 | 13.8 | 7.2 | 13.0 |
| 6-5 | 4-5 | 2-5 | 0-5 | 5 | 8 | 11.8 | 5.2 | 11.0 |
| 6-4 | 4-4 | 2-4 | 0-4 | 4 | 6 | 9.8 | 3.2 | 9.0 |
| 6-3 | 4-3 | 2-3 | 0-3 | 3 | 4 | 7.8 | 1.2 | 7.0 |
| 6-2 | 4-2 | 2-2 | 0-2 | 2 | 2 | 5.8 | 0.2 | 5.0 |
| 6-1 | 4-1 | 2-1 | 0-1 | 1 | 1 | 3.8 | 0.2 | 3.0 |
| 6-0 | 4-0 | 2-0 | 0-0 | 0 | 0 | 1.8 | 0.2 | 1.0 |
| 8-292132-6 | | | | | | | | |
| 6-292132-2 | 4-292132-2 | 2-292132-2 | 292132-2 | 2 | 2 | 5.8 | — | 5.0 |
| BLACK | YELLOW | BLUE | NATURAL | Pos | A | B | C | D |



TOLERANCES UNLESS OTHERWISE SPECIFIED:

10 > * : ±0.2

30 > * > 10 : ±0.25

100 > * > 30 : ±0.3

ANGEL : ±3°

THIS DRAWING IS A CONTROLLED DOCUMENT.

DWN: J. JIANG 23JAN03

CHK: S. YAO 23JAN03

APVD: T. SASAKI 23JAN03

PRODUCT SPEC: 108-60016

APPLICATION SPEC: —

WEIGHT: —

CUSTOMER DRAWING

NAME: POST HEADER ASS'Y (BOX-V DIP) (AMP CT CONNECTOR 2mm PITCH)

SIZE: A3

SCALE: 5:1

DRAWING NO: C=292132

RESTRICTED TO: —

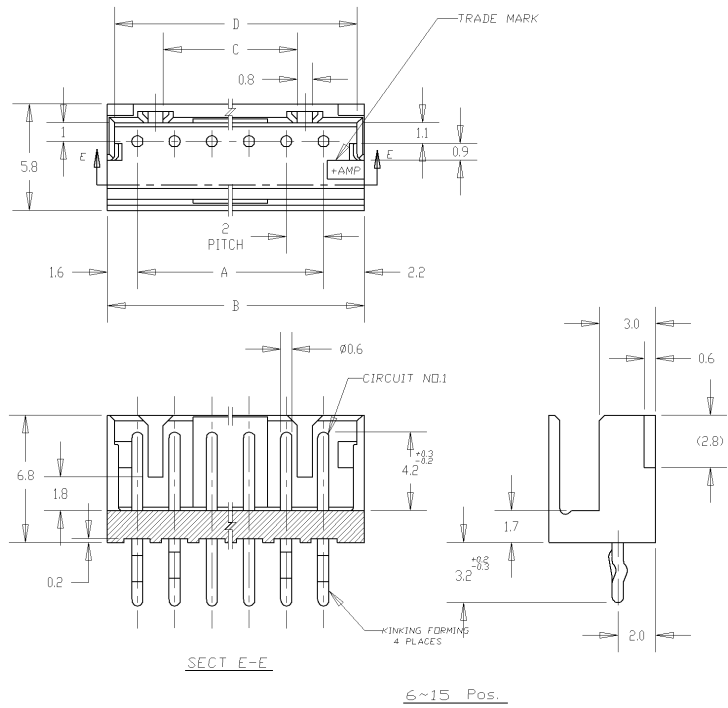
SHEET: 1 OF 2

REV: A1

4 3 2 1

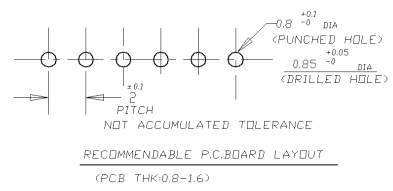
THIS DRAWING IS UNPUBLISHED. RELEASED FOR PUBLICATION
 COPYRIGHT BY TYCO ELECTRONICS CORPORATION. ALL RIGHTS RESERVED.

| LOC | DIST | REVISIONS | | | |
|-----|------|-------------|------|-----|------|
| P | LTR | DESCRIPTION | DATE | DWN | APVD |
| ES | 00 | SEE SHEET 1 | - | - | - |



NOTES:
 MATERIAL: HOUSING - 66 NYLON (UL94V-0)
 POST - TIN BRASS

| | | | | | | | | |
|------------|------------|------------|------------|----|----|------|------|------|
| 7-292132-5 | 5-292132-5 | 3-292132-5 | 1-292132-5 | 15 | 26 | 31.8 | 25.2 | 31.0 |
| 7-4 | 5-4 | 3-4 | 1-4 | 14 | 26 | 29.8 | 23.2 | 29.0 |
| 7-3 | 5-3 | 3-3 | 1-3 | 13 | 24 | 27.8 | 21.2 | 27.0 |
| 7-2 | 5-2 | 3-2 | 1-2 | 12 | 22 | 25.8 | 19.2 | 25.0 |
| 7-1 | 5-1 | 3-1 | 1-1 | 11 | 20 | 23.8 | 17.2 | 23.0 |
| 7-0 | 5-0 | 3-0 | 1-0 | 10 | 18 | 21.8 | 15.2 | 21.0 |
| 6-9 | 4-9 | 2-9 | -9 | 9 | 16 | 19.8 | 13.2 | 19.0 |
| 6-8 | 4-8 | 2-8 | -8 | 8 | 14 | 17.8 | 11.2 | 17.0 |
| 6-7 | 4-7 | 2-7 | -7 | 7 | 12 | 15.8 | 9.2 | 15.0 |
| 6-6 | 4-6 | 2-6 | -6 | 6 | 10 | 13.8 | 7.2 | 13.0 |
| 6-5 | 4-5 | 2-5 | -5 | - | - | - | - | - |
| 6-4 | 4-4 | 2-4 | -4 | - | - | - | - | - |
| 6-3 | 4-3 | 2-3 | -3 | - | - | - | - | - |
| 6-292132-2 | 4-292132-2 | 2-292132-2 | 292132-2 | - | - | - | - | - |



THIS DRAWING IS A CONTROLLED DOCUMENT.

DWN: J. JIANG 23JAN03
 CHK: S. YAO 23JAN03
 APVD: T. SASAKI 23JAN03

Tyco Electronics Corporation
 Shanghai, P.R.China, 200233

POST HEADER ASS'Y (BOX-V DIP)
 (AMP CT CONNECTOR 2mm PITCH)

PRODUCT SPEC: -
 APPLICATION SPEC: -
 WEIGHT: -

SIZE: A3
 CASE CODE: 00779
 DRAWING NO: C=292132

MATERIAL: -
 FINISH: -

CUSTOMER DRAWING

SCALE: 5:1
 SHEET: 2 of 2
 REV: A1