

4

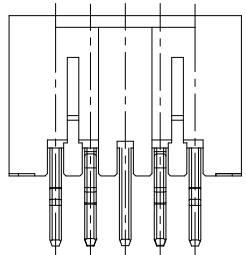
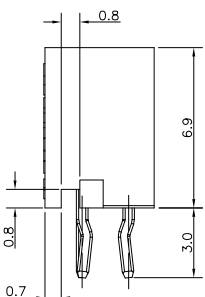
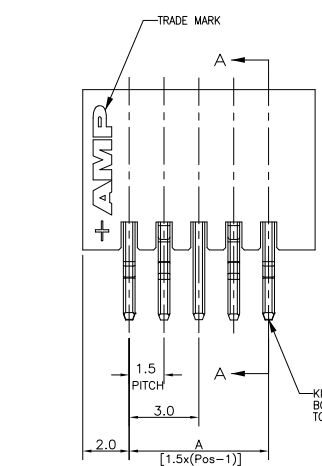
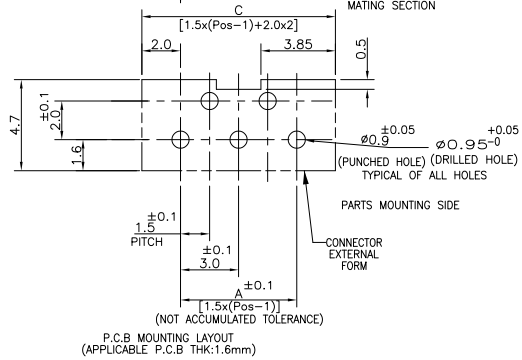
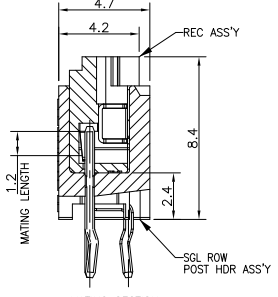
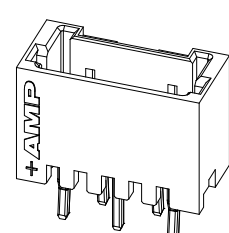
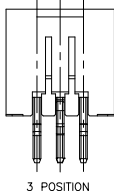
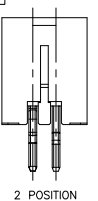
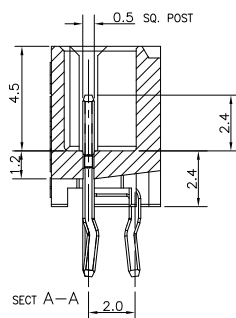
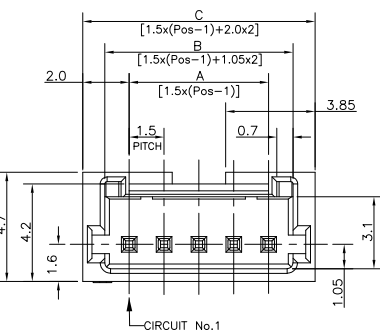
3

2

1

THIS DRAWING IS UNPUBLISHED. RELEASED FOR PUBLICATION. ALL RIGHTS RESERVED.

LOC	DIST	REVISIONS					
ES	00	P	LTR	DESCRIPTION	DATE	DWN	APVD
		B1		REVISED PER ECO-11-005033	29MAR11	RK	HMR



NOTES:
 1. MATERIAL:
 HOUSING: NYLON (G.F.) UL94V-0, COLOR: GRAY
 POST: GOLD PLATED 0.5mm SQ. BRASS WIRE

TOLERANCES UNLESS OTHERWISE SPECIFIED:
 10 > * : ±0.2
 30 > * > 10 : ±0.25
 100 > * > 30 : ±0.3
 ANGLE : ±3°

THIS DRAWING IS A CONTROLLED DOCUMENT.

DIMENSIONS:	TOLERANCES UNLESS OTHERWISE SPECIFIED:
mm	0 PLC ±
	1 PLC ±
	2 PLC ±
	3 PLC ±
	4 PLC ±
	ANGLES ±
MATERIAL	FINISH
SEE NOTE 1	SEE NOTE 1

DWN	02JUN03		TE Connectivity
CHK	S.XU		
APVD	S.YAO	NAME	AMP Mini CT Connector 1.5mm Pitch
APVD	T.SASAKI	PRODUCT SPEC	Single Row Post HDR Ass'y (V) (GOLD-PLATING)
	108 - 60018	APPLICATION SPEC	DIP Staggered Type without Boss with Kink
WEIGHT	114 - 5223	SIZE	A3
	SEE TABLE	CAGE CODE	00779
		DRAWING NO	C-292272
CUSTOMER DRAWING		SCALE	1 of 2
		SHEET	REV B1

LOC	DIST	REVISIONS					
ES	00	P	LTR	DESCRIPTION	DATE	DWN	APVD
		-		SEE SHEET 1	-	-	-


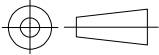
0.96	32.5	30.6	28.5	20	7-292272-0	2-292272-0
0.91	31.0	29.1	27.0	19	6-292272-9	1-292272-9
0.87	29.5	27.6	25.5	18	6-292272-8	1-292272-8
0.82	28.0	26.1	24.0	17	6-292272-7	1-292272-7
0.78	26.5	24.6	22.5	16	6-292272-6	1-292272-6
0.73	25.0	23.1	21.0	15	6-292272-5	1-292272-5
0.69	23.5	21.6	19.5	14	6-292272-4	1-292272-4
0.64	22.0	20.1	18.0	13	6-292272-3	1-292272-3
0.60	20.5	18.6	16.5	12	6-292272-2	1-292272-2
0.55	19.0	17.1	15.0	11	6-292272-1	1-292272-1
0.51	17.5	15.6	13.5	10	6-292272-0	1-292272-0
0.46	16.0	14.1	12.0	9	5-292272-9	292272-9
0.42	14.5	12.6	10.5	8	5-292272-8	292272-8
0.37	13.0	11.1	9.0	7	5-292272-7	292272-7
0.33	11.5	9.6	7.5	6	5-292272-6	292272-6
0.28	10.0	8.1	6.0	5	5-292272-5	292272-5
0.24	8.5	6.6	4.5	4	5-292272-4	292272-4
0.19	7.0	5.1	3.0	3	5-292272-3	292272-3
0.16	5.5	3.6	1.5	2	5-292272-2	292272-2
WEIGHT <g>	C	B	A	Pos.	BLUE	GRAY
	DIMENSIONS				P/N	

RELEASED FOR PUBLICATION

ALL RIGHTS RESERVED.

THIS DRAWING IS UNPUBLISHED.

By -
COPYRIGHT -

DIMENSIONS: mm		DWN -	MATERIAL -	FINISH -
TOLERANCES UNLESS OTHERWISE SPECIFIED:		CHK -	 TE Connectivity	
0 PLC ± -		APVD -		
1 PLC ± SEE SHEET		PRODUCT SPEC -		
2 PLC ± 1 OF 2		APPLICATION SPEC -		
3 PLC ± -		WEIGHT -	NAME Mini CT CONN.1.5mm Pitch S/R Post HDR (GOLD-PLATING) V DIP STAGGERED W/O BOSS W/KINK	
4 PLC ± -		SIZE A4		CAGE CODE 00779
ANGLES ± -		DRAWING NO C-292272		RESTRICTED TO -
		CUSTOMER DRAWING		
		SCALE NON	SHEET 2 OF 2	REV B1