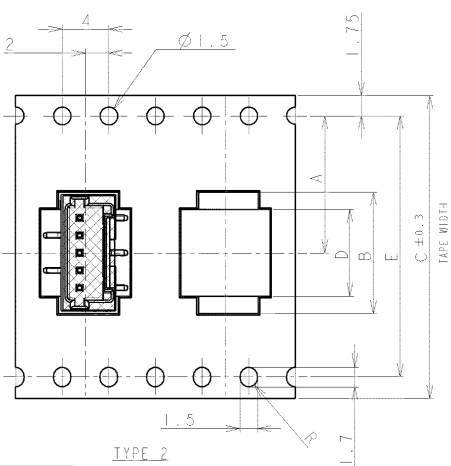
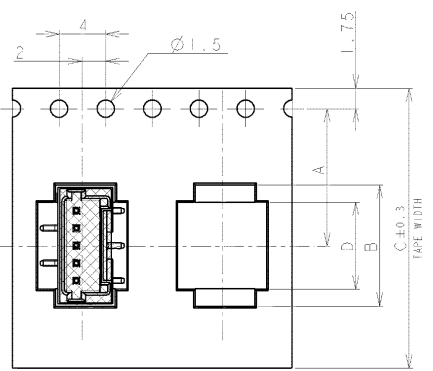
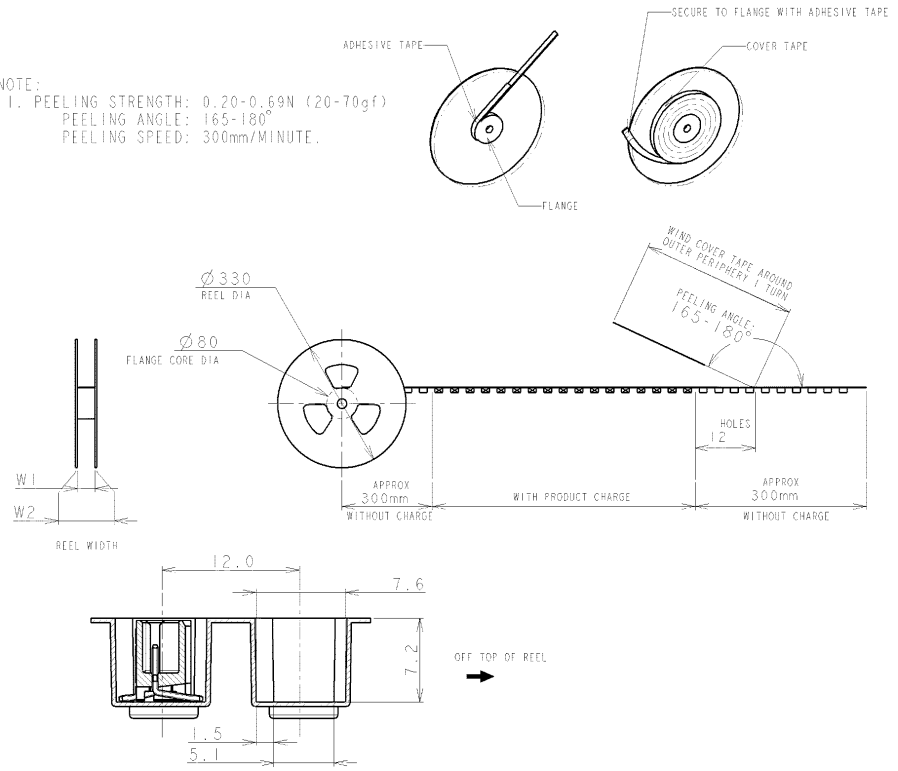


REVISIONS			
REV	DESCRIPTION	DATE	DRW APPR
A1	REVISED PER ECO-11-005033	2APR11	RK HMR



NOTE:
 1. PEELING STRENGTH: 0.20-0.69N (20-70gf)
 PEELING ANGLE: 165-180°
 PEELING SPEED: 300mm/MINUTE.

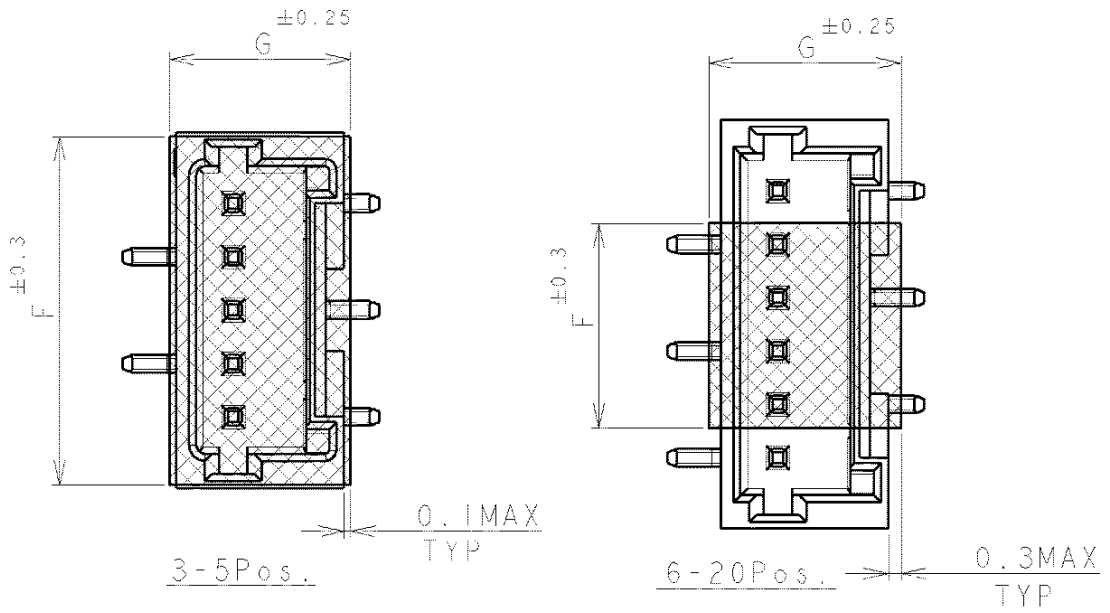


TOLERANCES UNLESS OTHERWISE SPECIFIED:

10 >	: ±0.2
30 > * > 10	: ±0.25
100 > * > 30	: ±0.3
ANGLE	: ±3°

DIMENSIONS: mm TOLERANCES UNLESS OTHERWISE SPECIFIED: 0 PLC ± 1 PLC ± 2 PLC ± 3 PLC ± 4 PDC ± ANGLES ±		DWR S.XU 31JAN03 DRK S.YAO 31JAN03 APVD T.SAKAI 31JAN03 PRODUCT SPEC 108-60018 APPLICATION SPEC 114-5223 WEIGHT CUSTOMER DRAWING		STE TE Connectivity NAME AMP Mini Common Terminated (CT) Connector 1.5mm PITCH SINGLE ROW POST HDR ASS'Y (V) SMT TYPE WITH BOSS, POLYIMIDE TAPE, EMBOSS TAPE PACKAGED SIZE A3 CAGE CODE 00779 DRAWING NO G-292232 SCALE NON SHEET 1 OF 4 REV	
---	--	--	--	--	--

LOC	DIST	REVISIONS					
FB	00	P	LTR	DESCRIPTION	DATE	DWN	APVD
				SEE SHEET 1			



TAPE TYPE	DIMENSIONS									QTY/ REEL	POS	COLOR	ON TAPE P/N	
	W2	W1	G	F	E	D	C	B	A					
TYPE 2	49.5	45.5	5.0	9.5	40.4	29.9	44	32.9	20.2±0.15	500	20	BEIGE	2-292232-0	
	49.5	45.5	5.0	9.5	40.4	28.4	44	31.4		500	19		1-292232-9	
	49.5	45.5	5.0	9.5	40.4	26.9	44	29.9		500	18		1-292232-8	
	49.5	45.5	5.0	9.5	40.4	25.4	44	28.4		500	17		1-292232-7	
	49.5	45.5	5.0	9.5	40.4	23.9	44	26.9		500	16		1-292232-6	
	49.5	45.5	5.0	9.5	40.4	22.4	44	25.4		500	15		1-292232-5	
	49.5	45.5	5.0	9.5	40.4	20.9	44	23.9		500	14		1-292232-4	
	49.5	45.5	5.0	9.5	40.4	19.4	44	22.4		500	13		1-292232-3	
	37.5	33.5	5.0	9.5	28.4	17.9	32	20.9		14.2	500		12	1-292232-2
	37.5	33.5	5.0	9.5	28.4	16.4	32	19.4		14.2	500		11	1-292232-1
TYPE 1	37.5	33.5	5.0	9.5	28.4	14.9	32	17.9	14.2	500	10	1-292232-0		
	37.5	33.5	5.0	6.5	28.4	13.4	32	16.4	14.2	500	9	292232-9		
	29.5	25.5	5.0	6.5	-	11.9	24	14.9	11.5	500	8	292232-8		
	29.5	25.5	5.0	6.5	-	10.4	24	13.4	11.5	500	7	292232-7		
	29.5	25.5	5.0	6.5	-	8.9	24	11.9	11.5	500	6	292232-6		
	29.5	25.5	4.5	9.5	-	7.4	24	10.4	11.5	500	5	292232-5		
TYPE 1	21.5	17.5	4.5	8.0	-	5.9	16	8.9	7.5	500	4	292232-4		
	21.5	17.5	4.5	6.5	-	4.4	16	7.4	7.5	500	3	292232-3		

THIS DRAWING IS UNPUBLISHED.

ALL RIGHTS RESERVED.

COPYRIGHT BY

DIMENSIONS: mm

TOLERANCES UNLESS OTHERWISE SPECIFIED:

0 PLC ±

1 PLC ±

2 PLC ±

3 PLC ±

4 PLC ±

ANGLES ±

DWN

CHK

APVD

PRODUCT SPEC
SEE SHEET 1

APPLICATION SPEC
SEE SHEET 1

WEIGHT

CUSTOMER DRAWING

MATERIAL

FINISH

TE TE Connectivity

NAME AMP Mini Common Terminated (CT) Connector 1.5mm PITCH
SINGLE ROW POST HDR ASS'Y (V) SMT TYPE
WITH POLYIMIDE TAPE, WITH BOSS, EMOSS TAPE PACKAGED

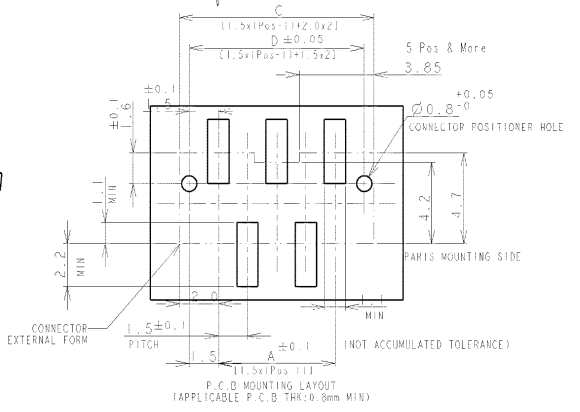
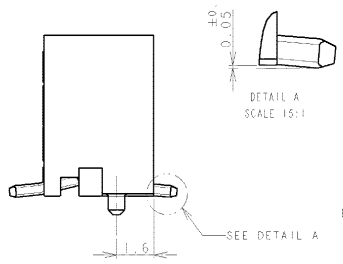
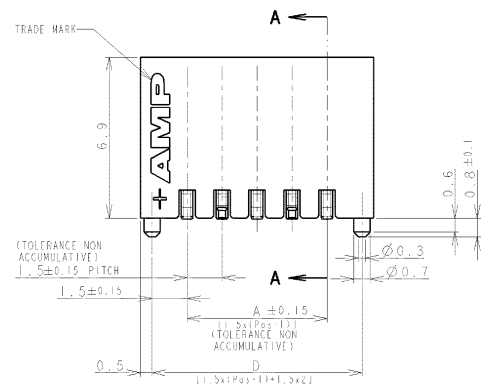
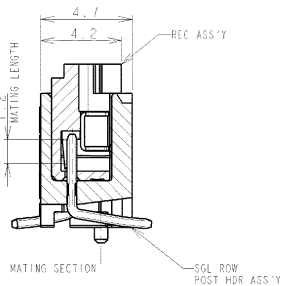
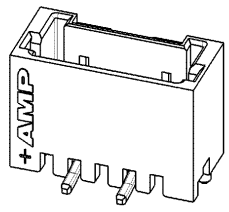
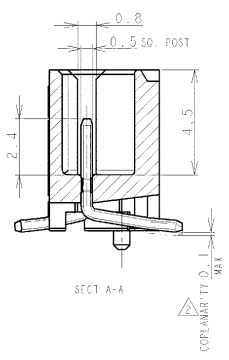
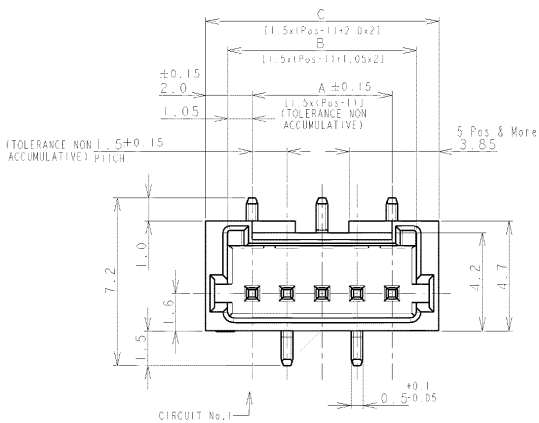
SIZE | CAGE CODE | DRAWING NO | RESTRICTED TO

A4 | 00779 | C=292232 | -

SCALE NON | SHEET 2 OF 4 | REV A1

THIS DRAWING IS UNPUBLISHED
 RELEASED FOR PUBLICATION
 COPYRIGHT BY ALL RIGHTS RESERVED.

REV	DATE	BY	APPD	DESCRIPTION
00				SEE SHEET 1



SHOWN AS WITHOUT TAPE

NOTES:
 1. MATERIAL:
 HOUSING: GLASS FILLED, HIGH HEAT RESISTANT NYLON, UL94V-0. COLOR: BEIGE OR BLACK
 POST: 36-1100R BRASS WIRE
 TO BE MEASURED WITH CONNECTOR PLACED ON HORIZONTAL DATUM SURFACE.
 FLOAT OF SOLDER TINE FROM DATUM SURFACE IS 0.1mm MAX

DIMENSIONS:		TOLERANCES UNLESS OTHERWISE SPECIFIED:		DWG		TE Connectivity	
mm		0 PLC ±		CHR		NAME	
		1 PLC ±		APVD		AMP MINI COMMON TERMINATION (CT) CONNECTOR 1.5 mm PITCH	
MATERIAL		2 PLC ±		PRODUCT SPEC		SINGLE ROW POST HDR ASS'Y (V) SMT TYPE WITH BOSS	
SEE NOTE 1		3 PLC ±		APPLICATION SPEC		SIZE	
FINISH		4 PLC ±		WEIGHT		CAGE CODE	
SEE NOTE 1		ANGLES ±		CUSTOMER DRAWING		DRAWING NO	
						A3 00779 C-292232	
						RESTRICTED TO	
						SCALE NON	
						SHEET 3 OF 4	
						REV A1	

RELEASED FOR PUBLICATION

ALL RIGHTS RESERVED.


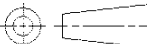
THIS DRAWING IS UNPUBLISHED.

BY

COPYRIGHT

LOC	DIST	REVISIONS					
FB	00	P	LTR	DESCRIPTION	DATE	DWN	APVD
				SEE SHEET 1	-	-	-

0.98	31.5	32.5	30.6	28.5	20	2-292232-0
0.93	30.0	31.0	29.1	27.0	19	1-292232-9
0.89	28.5	29.5	27.6	25.5	18	1-292232-8
0.84	27.0	28.0	26.1	24.0	17	1-292232-7
0.80	25.5	26.5	24.6	22.5	16	1-292232-6
0.75	24.0	25.0	23.1	21.0	15	1-292232-5
0.71	22.5	23.5	21.6	19.5	14	1-292232-4
0.66	21.0	22.0	20.1	18.0	13	1-292232-3
0.62	19.5	20.5	18.6	16.5	12	1-292232-2
0.57	18.0	19.0	17.1	15.0	11	1-292232-1
0.52	16.5	17.5	15.6	13.5	10	1-292232-0
0.48	15.0	16.0	14.1	12.0	9	292232-9
0.43	13.5	14.5	12.6	10.5	8	292232-8
0.39	12.0	13.0	11.1	9.0	7	292232-7
0.34	10.5	11.5	9.6	7.5	6	292232-6
0.30	9.0	10.0	8.1	6.0	5	292232-5
0.25	7.5	8.5	6.6	4.5	4	292232-4
0.20	6.0	7.0	5.1	3.0	3	292232-3
WEIGHT (g)	D	C	B	A	Pos.	BEIGE (NAT)
	DIMENSIONS					P/N

DIMENSIONS:	DWN	MATERIAL	FINISH
mm	CHR	SEE SHEET 1	SEE SHEET 1
TOLERANCES UNLESS OTHERWISE SPECIFIED:	APVD		
0 PLC ±	PRODUCT SPEC		
1 PLC ±	APPLICATION SPEC	NAME	
2 PLC ±	WEIGHT	AMP MINI COMMON TERMINATED (CT) CONNECTOR 1.5 mm PITCH	
3 PLC ±		SINGLE ROW POST HDR ASS'Y (V) SMT TYPE WITH BOSS	
4 PLC ±		SIZE	CAGE CODE
ANGLES ±		A4	00779
		DRAWING NO	RESTRICTED TO
		C=292232	
	CUSTOMER DRAWING	SCALE	SHEET
		NON	4 OF 4
			REV A1