

4

3

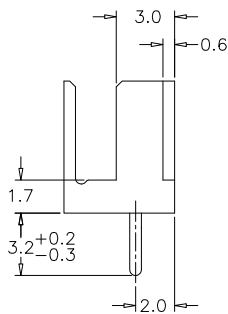
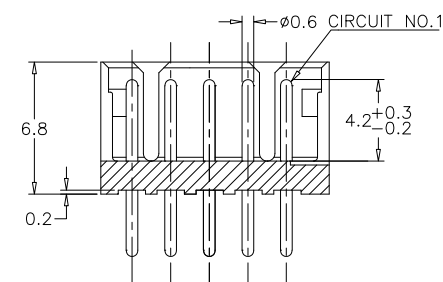
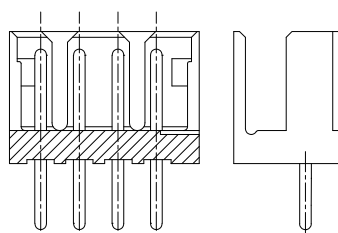
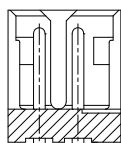
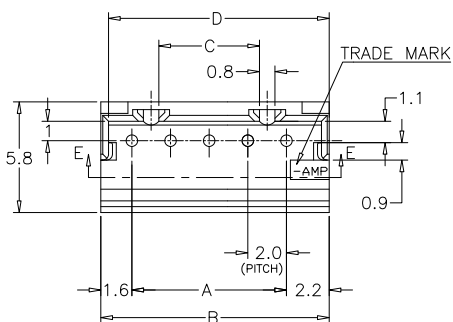
2

1

THIS DRAWING IS UNPUBLISHED. RELEASED FOR PUBLICATION  
 © COPYRIGHT - By - ALL RIGHTS RESERVED.

LOC		DIST		REVISIONS			
FB	00	P	LTR	DESCRIPTION	DATE	DWN	APVD
		P		REVISED PER ECO-11-005033	25MAR11	RK	HMR

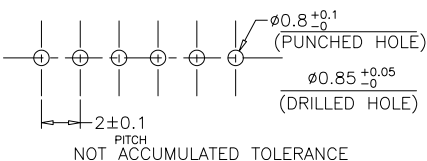
- NOTES:  
 1 MATERIAL : HOUSING-66 NYLON (UL94V-0)  
 POST -TIN BRASS  
 2 THIS PRODUCT IS W/O KINK OF P/N 292132  
 3 APPLICABLE RECEPTACLE : P/N 173977



SECT. E-E

5 POS.

				1-292133-5	15	28	31.8	25.2	31.0
				1- -4	14	26	29.8	23.2	29.0
				1- -3	13	24	27.8	21.2	27.0
				1- -2	12	22	25.8	19.2	25.0
				1- -1	11	20	23.8	17.2	23.0
				1- -0	10	18	21.8	15.2	21.0
				-9	9	16	19.8	13.2	19.0
				-8	8	14	17.8	11.2	17.0
				-7	7	12	15.8	9.2	15.0
				-6	6	10	13.8	7.2	13.0
				-5	5	8	11.8	5.2	11.0
				-4	4	6	9.8	3.2	9.0
6-292133-3	4-292133-3	2-292133-3		-3	3	4	7.8	—	7.0
				292133-2	2	2	5.8	—	5.0
BLACK	YELLOW	BLUE	NATURAL						
P/N				POS.	A	B	C	D	



RECOMMENDABLE P.C. BOARD LAYOUT  
 (PCB THK : 0.8-1.6)

TOLERANCES UNLESS OTHERWISE SPECIFIED:

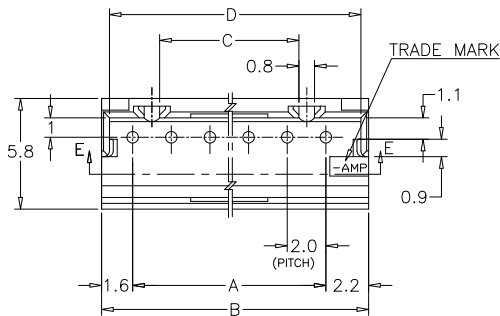
10 > * : ±0.2
30 > * > 10 : ±0.25
100 > * > 30 : ±0.3
ANGEL : ±3°

THIS DRAWING IS A CONTROLLED DOCUMENT.

DWN S.XU 31JAN03	 TE Connectivity POST HEADER ASS'Y (BOX-V TYPE) W/O KINK AMP CT CONNECTOR 2mm PITCH
CHK S.YAO 31JAN03	
APVD T.SASAKI 31JAN03	
NAME	
PRODUCT SPEC	108-60016
APPLICATION SPEC	
WEIGHT	
MATERIAL	
FINISH	
SEE NOTE	SEE NOTE
CUSTOMER DRAWING	SCALE 5:1 SHEET 1 OF 2 REV P

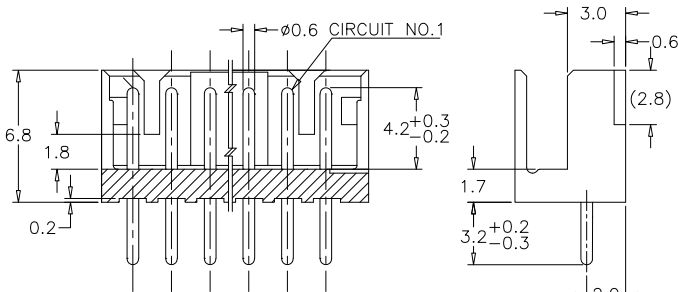
THIS DRAWING IS UNPUBLISHED. RELEASED FOR PUBLICATION  
 © COPYRIGHT - By - ALL RIGHTS RESERVED.

LOC	DIST	REVISIONS				
P	LTR	DESCRIPTION	DATE	DWN	APVD	
FB	00	SEE SHEET 1	-	-	-	



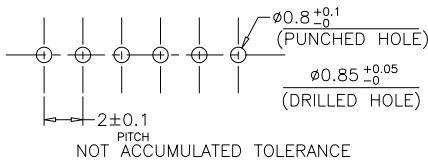
NOTES:

- 1 MATERIAL : HOUSING-66 NYLON (UL94V-0)  
POST -TIN BRASS
- 2 THIS PRODUCT IS W/O KINK OF P/N 292132
- 3 APPLICABLE RECEPTACLE : P/N 173977



SECT. E-E

6~15 POS.



RECOMMENDABLE P.C. BOARD LAYOUT  
 (PCB THK : 0.8-1.6)

				1-292133-5	15	28	31.8	25.2	31.0
				1- -4	14	26	29.8	23.2	29.0
				1- -3	13	24	27.8	21.2	27.0
				1- -2	12	22	25.8	19.2	25.0
				1- -1	11	20	23.8	17.2	23.0
				1- -0	10	18	21.8	15.2	21.0
				-9	9	16	19.8	13.2	19.0
				-8	8	14	17.8	11.2	17.0
				-7	7	12	15.8	9.2	15.0
				-6	6	10	13.8	7.2	13.0
				-5					
				-4					
				-3					
6-292133-3	4-292133-3	2-292133-3		292133-2					
BLACK	YELLOW	BLUE	NATURAL						
				P/N	POS.	A	B	C	D

SEE SHEET 1 OF 2

THIS DRAWING IS A CONTROLLED DOCUMENT. 27DEC2002

DIMENSIONS:	TOLERANCES UNLESS OTHERWISE SPECIFIED:	DWN	CHK	APVD	NAME
mm	0 PLC ± -				
	1 PLC ± -				
	2 PLC ± -				
	3 PLC ± -				
	4 PLC ± -				
	ANGLES ± -				
MATERIAL	FINISH	PRODUCT SPEC	APPLICATION SPEC	SIZE	CAGE CODE
		WEIGHT		A3	00779
				DRAWING NO	292133
				RESTRICTED TO	
		CUSTOMER DRAWING	SCALE	5:1	SHEET
				2	of 2
				REV	P

**STE** TE Connectivity  
 POST HEADER ASS'Y (BOX-V TYPE) W/O KINK  
 AMP CT CONNECTOR 2mm PITCH