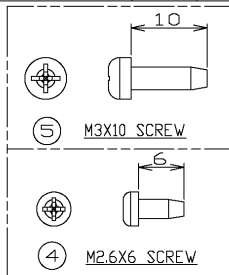
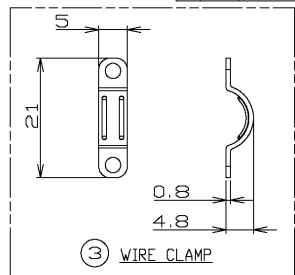
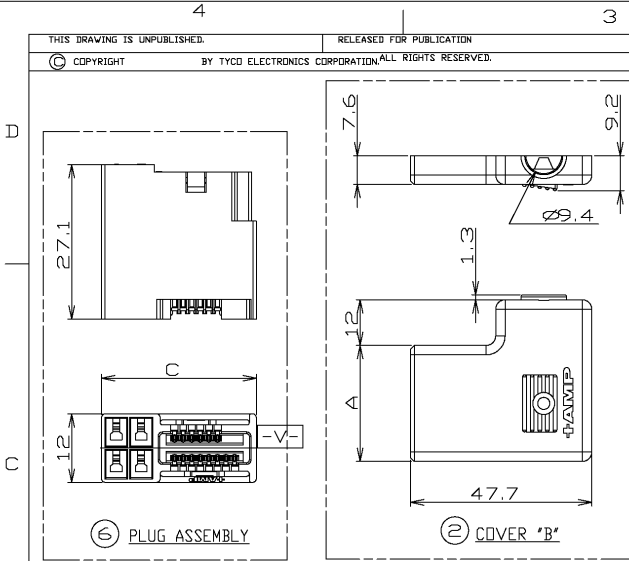
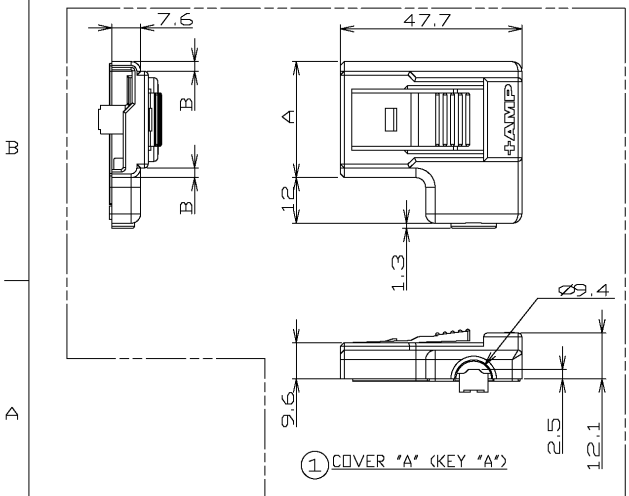


THIS DRAWING IS UNPUBLISHED. RELEASED FOR PUBLICATION
 COPYRIGHT BY TYCO ELECTRONICS CORPORATION. ALL RIGHTS RESERVED.

LDC		DIST		REVISIONS			
P	LTR	DESCRIPTION		DATE	DWN	APVD	
ES	00	A	REVISED	FB00-0217-04	16DEC04	H/H	I/E



NOTES: THIS IS LEAD-FREE P/N.

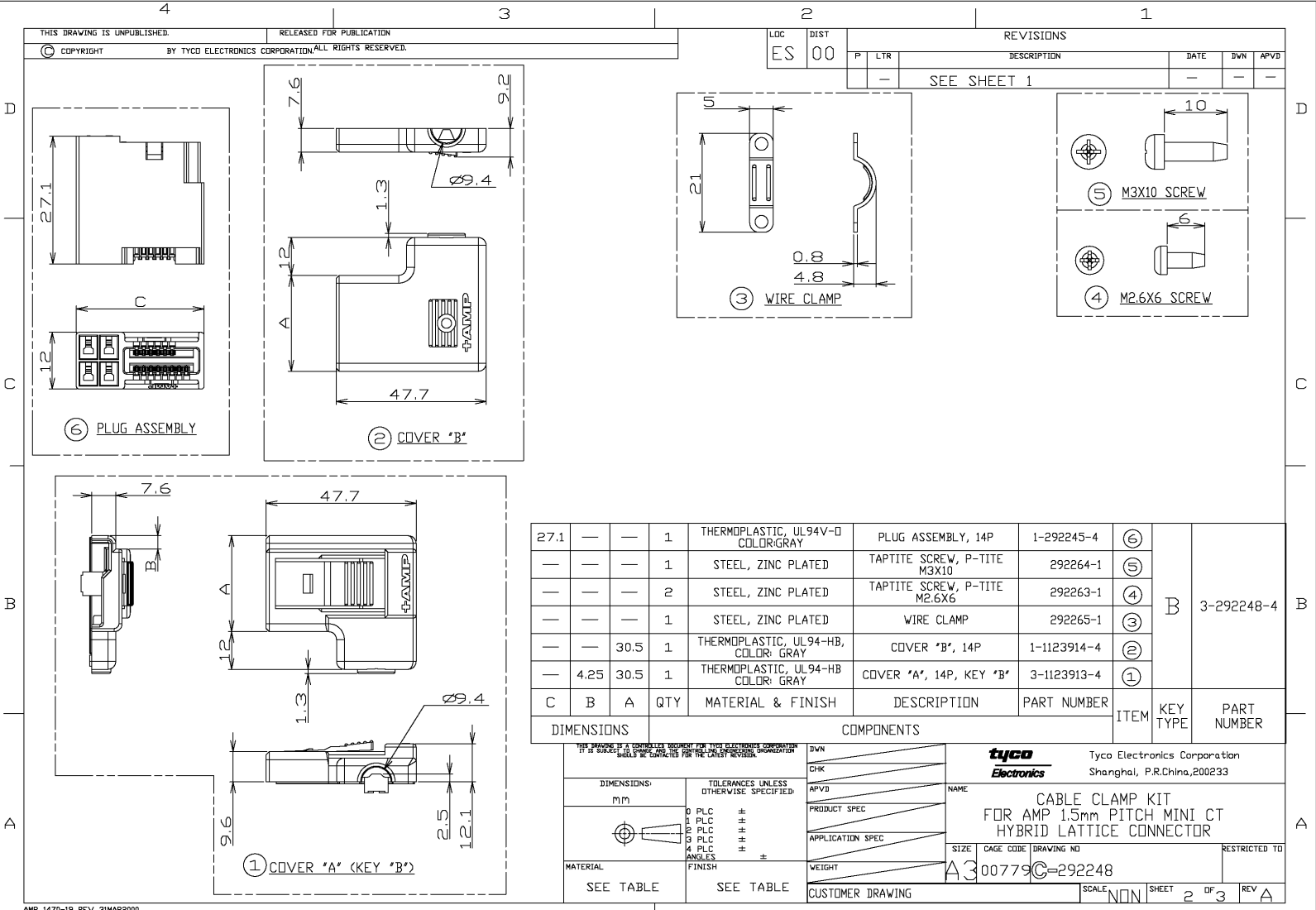


QTY	MATERIAL & FINISH	DESCRIPTION	PART NUMBER	ITEM	KEY TYPE	PART NUMBER
1	THERMOPLASTIC, UL94V-0 COLOR: GRAY	PLUG ASSEMBLY, 14P	1-292245-4	6	A	1-292248-4
1	STEEL, ZINC PLATED	TAPTITE SCREW, P-TITE M3X10	292264-1	5		
2	STEEL, ZINC PLATED	TAPTITE SCREW, P-TITE M2.6X6	292263-1	4		
1	STEEL, ZINC PLATED	WIRE CLAMP	292265-1	3		
1	THERMOPLASTIC, UL94-HB, COLOR: GRAY	COVER 'B', 14P	1-1123914-4	2		
1	THERMOPLASTIC, UL94-HB COLOR: GRAY	COVER 'A', 14P, KEY 'A'	1-1123913-4	1		

DIMENSIONS		COMPONENTS		TYCO ELECTRONICS CORPORATION	
DIMENSIONS:	TOLERANCES UNLESS OTHERWISE SPECIFIED:	DIVN	05FEB03	Tyco Electronics Corporation	
MM	0 PLC #	CHK	05FEB03	Shanghai, P.R.China, 200233	
	1 PLC #	APVD	05FEB03	NAME	
	2 PLC #	PRODUCT SPEC	108-60028	CABLE CLAMP KIT	
	3 PLC #	APPLICATION SPEC	114-5256	FOR AMP 1.5mm PITCH MINI CT	
	4 PLC #	WEIGHT		HYBRID LATTICE CONNECTOR	
	ANGLES #			SIZE	CAGE CODE
MATERIAL	FINISH	CUSTOMER DRAWING		A3	00779
SEE TABLE	SEE TABLE			DRAWING NO	C=292248
				RESTRICTED TO	-
				SCALE	NON
				SHEET	1 OF 3
				REV	A

THIS DRAWING IS UNPUBLISHED. RELEASED FOR PUBLICATION
 COPYRIGHT BY TYCO ELECTRONICS CORPORATION. ALL RIGHTS RESERVED.

LDC		DIST		REVISIONS			
ES	00	P	LTR	DESCRIPTION	DATE	DWN	APVD
				SEE SHEET 1			



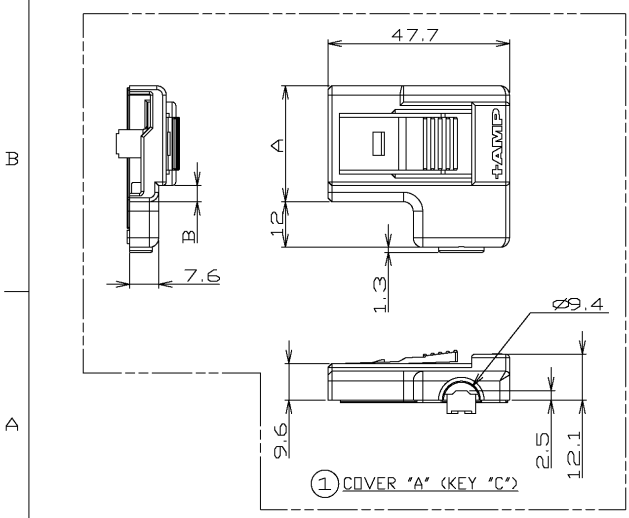
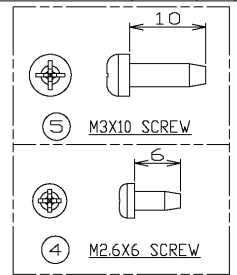
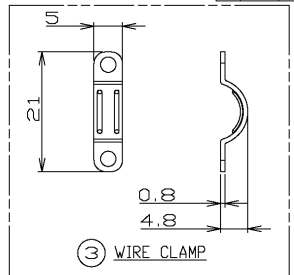
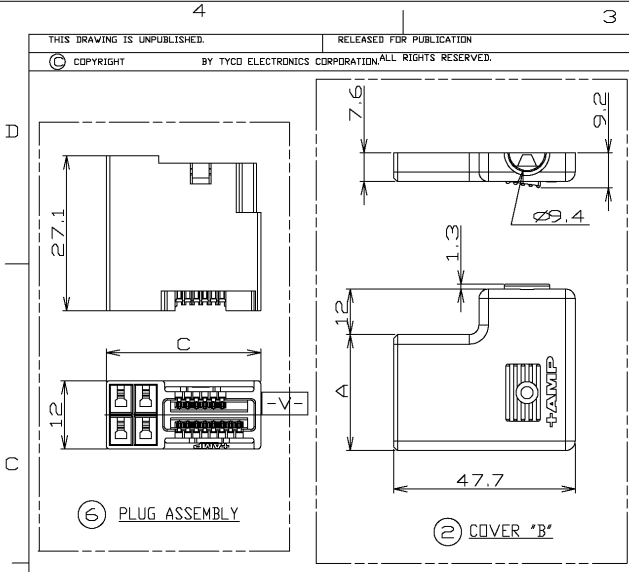
DIMENSIONS	COMPONENTS			ITEM	KEY TYPE	PART NUMBER
27.1	—	—	1	THERMOPLASTIC, UL94V-0 COLOR: GRAY	PLUG ASSEMBLY, 14P	1-292245-4 (6)
—	—	—	1	STEEL, ZINC PLATED	TAPTITE SCREW, P-TITE M3X10	292264-1 (5)
—	—	—	2	STEEL, ZINC PLATED	TAPTITE SCREW, P-TITE M2.6X6	292263-1 (4)
—	—	—	1	STEEL, ZINC PLATED	WIRE CLAMP	292265-1 (3)
—	—	30.5	1	THERMOPLASTIC, UL94-HB, COLOR: GRAY	COVER 'B', 14P	1-1123914-4 (2)
—	4.25	30.5	1	THERMOPLASTIC, UL94-HB COLOR: GRAY	COVER 'A', 14P, KEY 'B'	3-1123913-4 (1)

DIMENSIONS: M/M 		TOLERANCES UNLESS OTHERWISE SPECIFIED: 0 PLC # 1 PLC # 2 PLC # 3 PLC # 4 PLC # ANGLES #		DIVN CHK APVD PRODUCT SPEC APPLICATION SPEC WEIGHT		tyco Electronics Tyco Electronics Corporation Shanghai, P.R.China, 200233	
MATERIAL SEE TABLE		FINISH SEE TABLE		CUSTOMER DRAWING		NAME CABLE CLAMP KIT FOR AMP 1.5mm PITCH MINI CT HYBRID LATTICE CONNECTOR	
				SIZE CAGE CODE DRAWING NO A3 00779 C=292248		RESTRICTED TO	
				SCALE: NON		SHEET 2 OF 3 REV A	

AMP 1470-19 REV 31MAR2000

THIS DRAWING IS UNPUBLISHED. RELEASED FOR PUBLICATION
 © COPYRIGHT BY TYCO ELECTRONICS CORPORATION ALL RIGHTS RESERVED.

LOC	DIST	P	LTR	REVISIONS	DATE	DWN	APVD
ES	00	-	-	DESCRIPTION	-	-	-
				SEE SHEET 1			



QTY	MATERIAL & FINISH	DESCRIPTION	PART NUMBER	ITEM	KEY TYPE	PART NUMBER
1	THERMOPLASTIC, UL94V-0 COLOR:GRAY	PLUG ASSEMBLY, 14P	1-292245-4	⑥	C	5-292248-4
1	STEEL, ZINC PLATED	TAPTITE SCREW, P-TITE M3X10	292264-1	⑤		
2	STEEL, ZINC PLATED	TAPTITE SCREW, P-TITE M2.6X6	292263-1	④		
1	STEEL, ZINC PLATED	WIRE CLAMP	292265-1	③		
1	THERMOPLASTIC, UL94-HB, COLOR: GRAY	COVER 'B', 14P	1-1123914-4	②		
1	THERMOPLASTIC, UL94-HB COLOR: GRAY	COVER 'A', 14P, KEY 'C'	5-1123913-4	①		

DIMENSIONS		COMPONENTS		ITEM	KEY TYPE	PART NUMBER			
27.1	—	1	THERMOPLASTIC, UL94V-0 COLOR:GRAY	PLUG ASSEMBLY, 14P	1-292245-4	⑥			
—	—	1	STEEL, ZINC PLATED	TAPTITE SCREW, P-TITE M3X10	292264-1	⑤			
—	—	2	STEEL, ZINC PLATED	TAPTITE SCREW, P-TITE M2.6X6	292263-1	④			
—	—	1	STEEL, ZINC PLATED	WIRE CLAMP	292265-1	③			
—	—	30.5	1	THERMOPLASTIC, UL94-HB, COLOR: GRAY	COVER 'B', 14P	1-1123914-4			
—	4.25	30.5	1	THERMOPLASTIC, UL94-HB COLOR: GRAY	COVER 'A', 14P, KEY 'C'	5-1123913-4			
C	B	A	QTY	MATERIAL & FINISH	DESCRIPTION	PART NUMBER	ITEM	KEY TYPE	PART NUMBER

DIMENSIONS: M/M TOLERANCES UNLESS OTHERWISE SPECIFIED: 0 PLC # 1 PLC # 2 PLC # 3 PLC # 4 PLC # ANGLES #		DIVN CHK APVD PRODUCT SPEC APPLICATION SPEC WEIGHT		tyco Tyco Electronics Corporation Electronics Shanghai, P.R.China,200233 NAME CABLE CLAMP KIT FOR AMP 1.5mm PITCH MINI CT HYBRID LATTICE CONNECTOR SIZE CAGE CODE DRAWING NO A3 00779 C=292248	
MATERIAL SEE TABLE		FINISH SEE TABLE		CUSTOMER DRAWING	
		SCALE: NON		SHEET 3 OF 3 REV A	