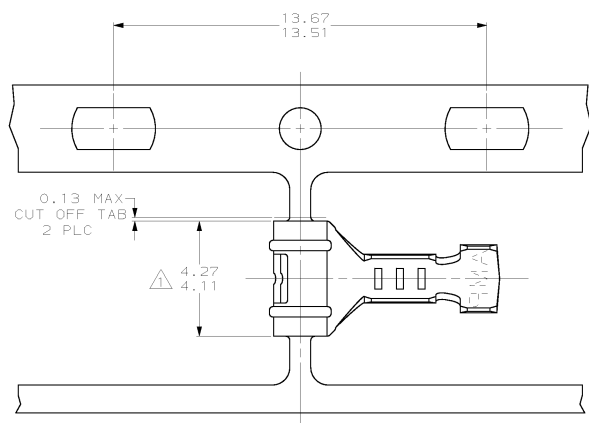


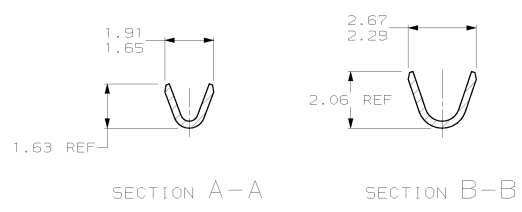
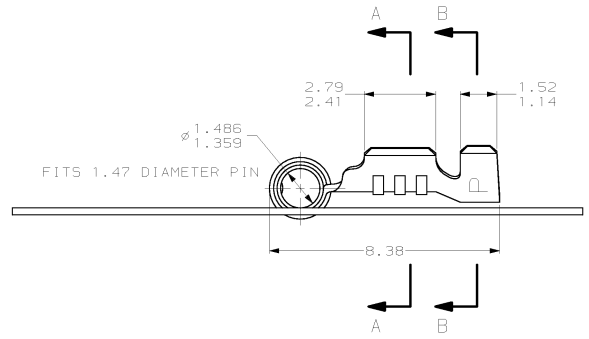
4 3 2 1

THIS DRAWING IS UNCLASSIFIED
 (C) COPYRIGHT IS BY AMP INCORPORATED. ALL RIGHTS RESERVED.

REV. NO.		REV. DATE		DESCRIPTION		DATE	BY	APP'D
CM	52	F	LTR					
		E	REV 8	REDWN PER EC	0L30-0125-97	6-3-97	TB	RS



- △ 0.00038 MIN SELECTIVE GOLD PLATING ON INSIDE OF RECEPTACLE OVER NICKEL OVER ALL UNDERPLATE.
- 2. WIRE RANGE: 0.12 - 0.4 MM² (26 - 22 AWG)
- 3. INSULATION RANGE: 0.89 - 1.65



MM	IN	MM	IN	MM	IN	MM	IN
1.359	.0535	1.91	.075	4.11	.162	-	-
1.14	.045	1.65	.065	2.79	.110	-	-
0.89	.035	1.63	.064	2.67	.105	13.67	.538
0.25	.010	1.52	.060	2.41	.095	13.51	.532
0.13	.005	1.486	.0585	2.29	.090	8.38	.330
0.00038	.000015	1.47	.058	2.06	.081	4.27	.168

CONVERSION TABLE

METRIC

THIS DRAWING IS A CONTROLLED DOCUMENT

DR	T. BECK	6-03-97
CHK	S. SWING	6-03-97
APP	A. BENDISZKY	6-17-97
PRODUCT SPEC	108-1025	
APPLICATION SPEC	114-1008	
REV	-	

AMP Incorporated
 Harrisburg, PA 17105-3608

RECEPTACLE, .058 DIAMETER, 26-22 AWG, .035-.065 INSULATION, RIGHT ANGLE, P.C. CONTACT

AMP 61513

CUSTOMER DRAWING SCALE 10:1 SHEET 1 OF 1 REV F

61513

A