

4

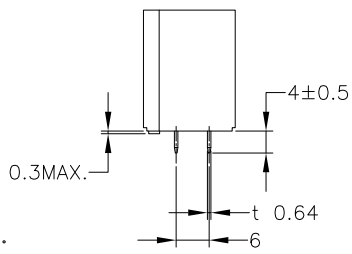
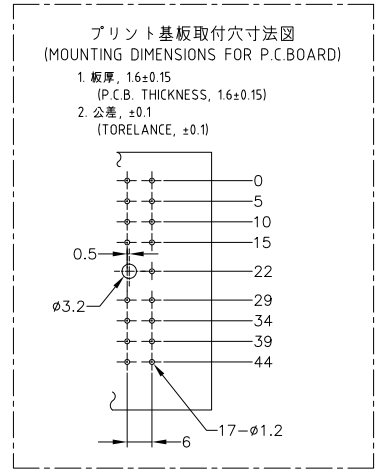
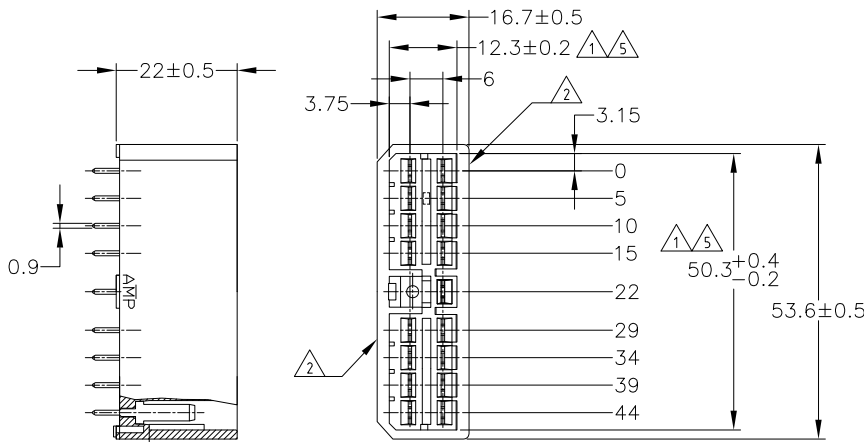
3

2

1

THIS DRAWING IS UNPUBLISHED. RELEASED FOR PUBLICATION. ALL RIGHTS RESERVED.

LOC	DIST	REVISIONS		DATE	BY	APPD
J	-	F	LNK	DESCRIPTION		
		GB		REVISED PER ECO-11-005140	28MAR11	RIK HMR



- △相手ハウジングと所定の規格を満たして嵌合できること。
- △フートの厚りは0.2以内。
- △推奨取付けねじ: JIS B 1115 又は、1122タップピンねじ  
なべ型、ねじ径3を使用し締付け後半田付けする。
- △適用製品規格 No.108-5093
- △ $\square$ A 面より2mmの範囲で測定のこと。
- △相手ハウジングとの嵌合力は29.4N以下  
但しシールドコネクタは含まない。
- △IN COUPLING WITH THE PLUG HOUSING MATING SATISFIES FUNCTION.
- △WARPAGE 0.2 MAX.
- △RECOMMENDED MOUNTING SCREW: 3mm DIA,  
PAN HEAD, CLASS 1 TAPPING SCREW SPECIFIED IN JIS  
B1115, B1122
- △SPEC No.108-5093
- △TO BE MEASURED WITHIN 2mm FROM  $\square$ A
- △IN COUPLING WITH THE PLUG HOUSING MATING FORCE  
29.4N MAX. WITHOUT REC CONTACTS.

SEE CUSTOMER DRAWING 7-171363-1			7-171363-1
OBsolete	TIN-LEAD	SELECTIVE GOLD (0.76µm MIN)	NATURAL
OBsolete	TIN-LEAD	SELECTIVE GOLD (0.38µm MIN)	NATURAL
OBsolete	TIN-LEAD	SELECTIVE GOLD (0.76µm MIN)	GREEN
OBsolete	TIN-LEAD	SELECTIVE GOLD (0.76µm MIN)	NATURAL
OBsolete	TIN-LEAD	SELECTIVE GOLD (0.76µm MIN)	GREEN
OBsolete	TIN-LEAD	SELECTIVE GOLD (0.38µm MIN)	NATURAL
	PRE-TIN		RED
	PRE-TIN		YELLOW
OBsolete	PRE-TIN		GRAY
	PRE-TIN		BLUE
	PRE-TIN		GREEN
	PRE-TIN		BROWN
	PRE-TIN		BLACK
	PRE-TIN	PRE-TIN BRASS	NATURAL
	SOLDERING SIDE 半田付け部	CONTACT SIDE 接触部	COLOR
	CONTACT FINISH コネクタ仕上		PART NUMBER 製品番号

THIS DRAWING IS A CONTROLLED DOCUMENT.

DRW	T. SHINOHARA	31AJ007
CHK	K. BETSUJI	31AJ007
APPD	K. BETSUJI	31AJ007

TE Connectivity

17Pos. VERTICAL TYPE CAP HOUSING ASSEMBLY  
MULTI-INTERLOCK CONNECTOR (WIRE TO P.C.B.)

SIZE: 10K CODE (TOWARD 10)

WEIGHT: A2 00779 171363

MATERIAL: HOUSING: 66NYLON  
TAB CONTACT: BRASS

FINISH: 見参照  
SEE TABLE

CUSTOMER DRAWING

SCALE: 2:1 SHEET: 1 of 1 REV: G6

171363

A