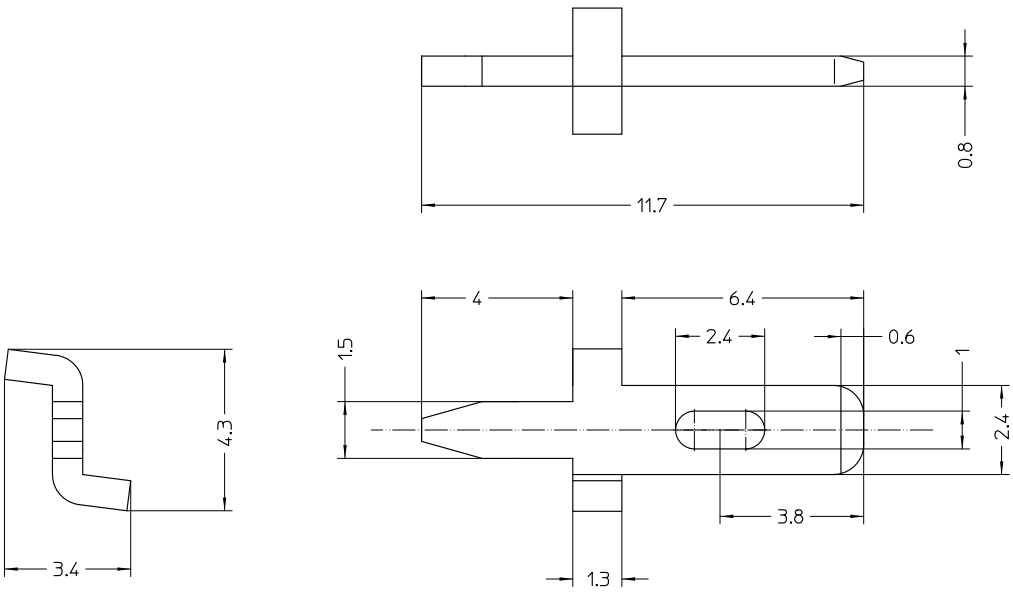


THIS DRAWING IS UNPUBLISHED. RELEASED FOR PUBLICATION  
 © COPYRIGHT BY TYCO ELECTRONICS CORPORATION. ALL RIGHTS RESERVED.

LOC	DIST	REVISIONS			
P	LTR	DESCRIPTION	DATE	DWN	APVD
-	-				



NOTE:  
 1. MATING RECEPTACLE PART NO. 1627009

LOOSE PIECE	POST TIN-PLATED	BRASS	TAB, H2880	1-1627136-2
REMARKS	FINISH	MATERIAL	DESCRIPTION	PART No.
THIS DRAWING IS A CONTROLLED DOCUMENT.		DWN: W.RIEDE 9.11.04	Tyco Electronics Corporation AUSTRALIA NAME: TAB, 2.4mm PCB	
ALL DIMENSIONS IN mm		CHK: H.THAI 9.11.04		
TOLERANCES UNLESS OTHERWISE SPECIFIED: DIMENSION (mm) TOLERANCE(+/-mm) LESS THAN 10 0.4 OVER 10 TO 30 0.5 OVER 30 TO 80 0.7 OVER 80 TO 250 1.0 ANGLES 42°		APVD: W.RIEDE 9.11.04		
		PRODUCT SPEC: -	SIZE: A3	CAGE CODE: -
MATERIAL: -	FINISH: -	APPLICATION SPEC: -	DRAWING NO: 1627136	
		WEIGHT: -	RESTRICTED TO: -	
CUSTOMER DRAWING			SCALE: 10:1	SHEET: 1 OF 1
			REV: 0	

THE INFORMATION IS CONFIDENTIAL AND PROPRIETARY TO TYCO ELECTRONICS CORPORATION AND IS NOT TO BE RELEASED TO ANYONE OTHER THAN TYCO ELECTRONICS CORPORATION, HARRISBURG, PENNSYLVANIA, USA.